



Chipsmall Limited consists of a professional team with an average of over 10 year of expertise in the distribution of electronic components. Based in Hongkong, we have already established firm and mutual-benefit business relationships with customers from,Europe,America and south Asia,supplying obsolete and hard-to-find components to meet their specific needs.

With the principle of “Quality Parts,Customers Priority,Honest Operation,and Considerate Service”,our business mainly focus on the distribution of electronic components. Line cards we deal with include Microchip,ALPS,ROHM,Xilinx,Pulse,ON,Everlight and Freescale. Main products comprise IC,Modules,Potentiometer,IC Socket,Relay,Connector.Our parts cover such applications as commercial,industrial, and automotives areas.

We are looking forward to setting up business relationship with you and hope to provide you with the best service and solution. Let us make a better world for our industry!



Contact us

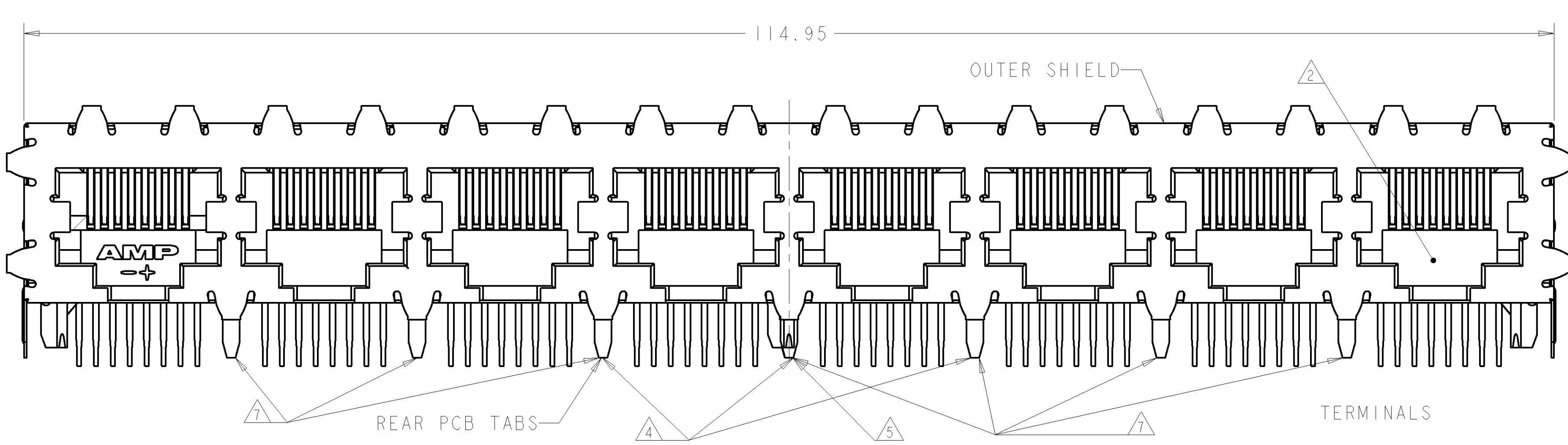
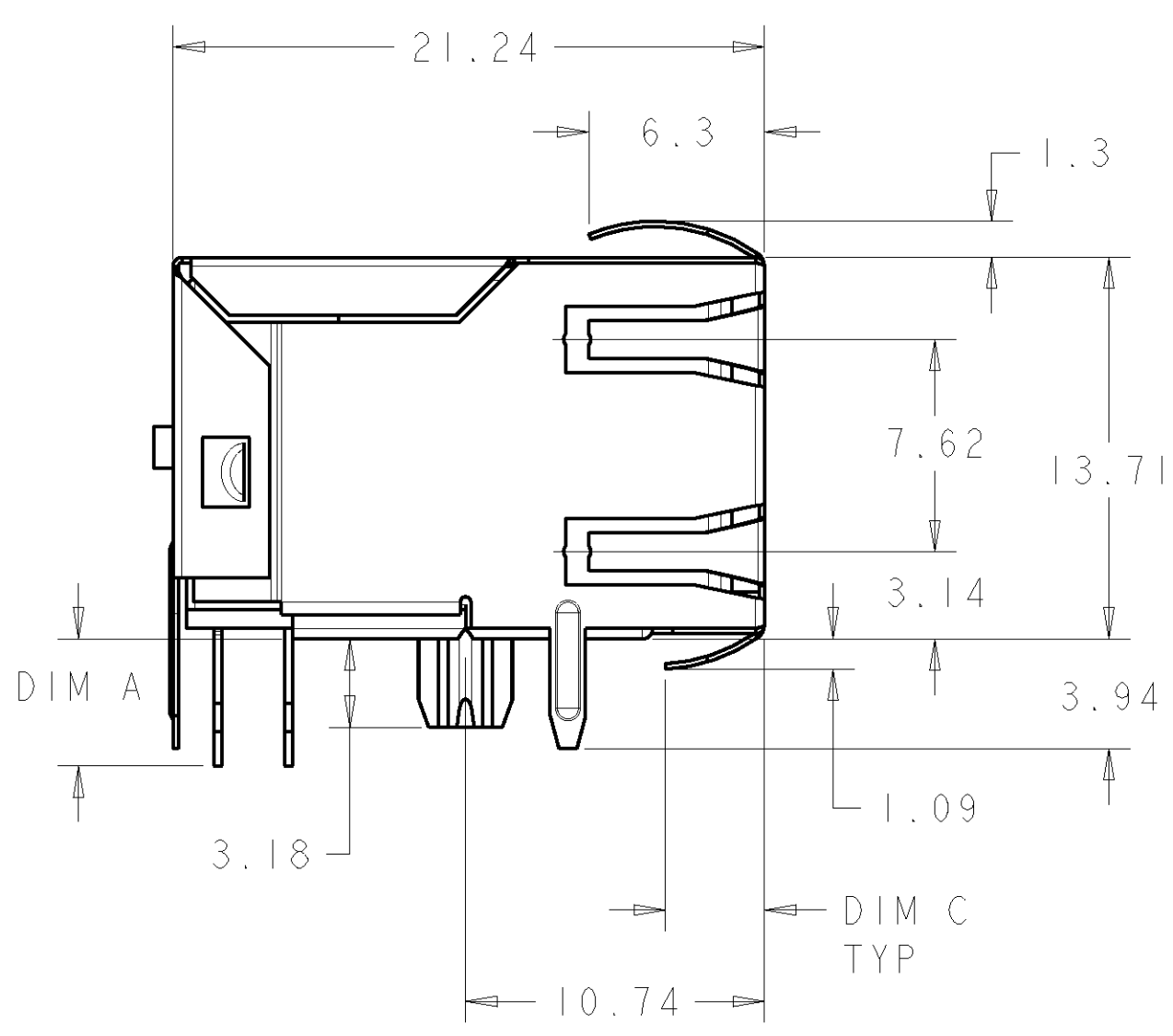
Tel: +86-755-8981 8866 Fax: +86-755-8427 6832

Email & Skype: info@chipsmall.com Web: www.chipsmall.com

Address: A1208, Overseas Decoration Building, #122 Zhenhua RD., Futian, Shenzhen, China

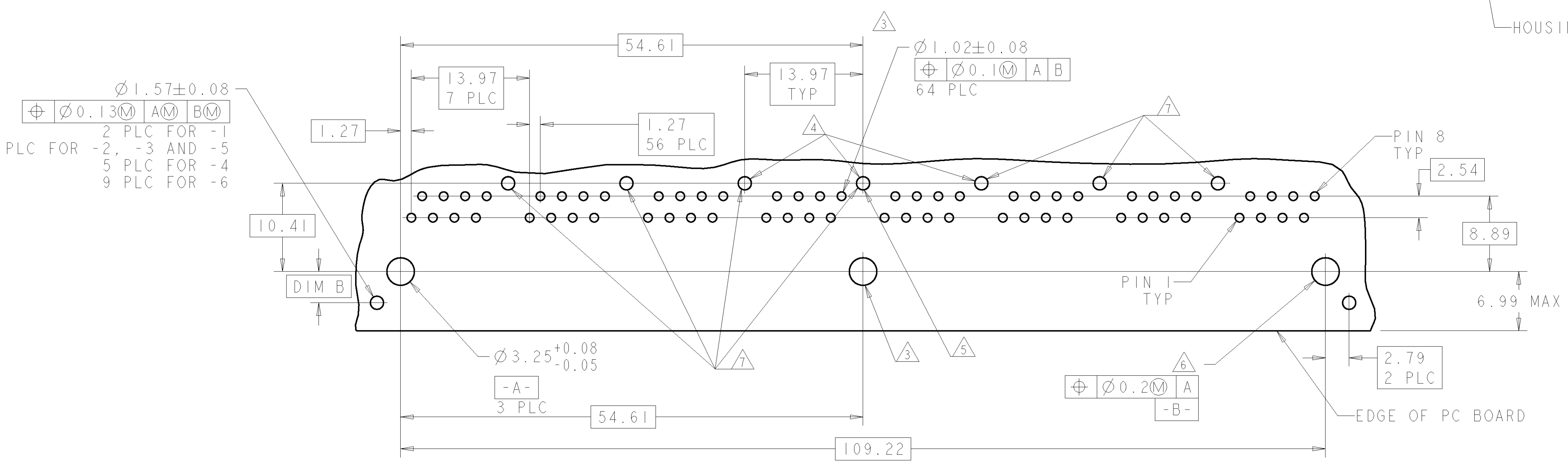
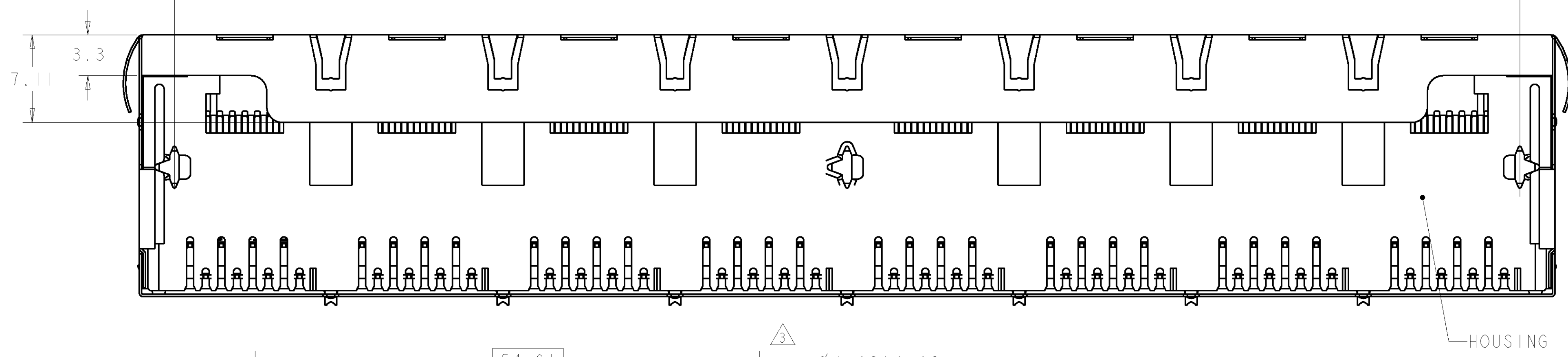


LOC	DIST	REV	DATE	BY	APPD
AA	22				
B3		REVISED PER ECO-11-005033	20APR11	RK	HMR

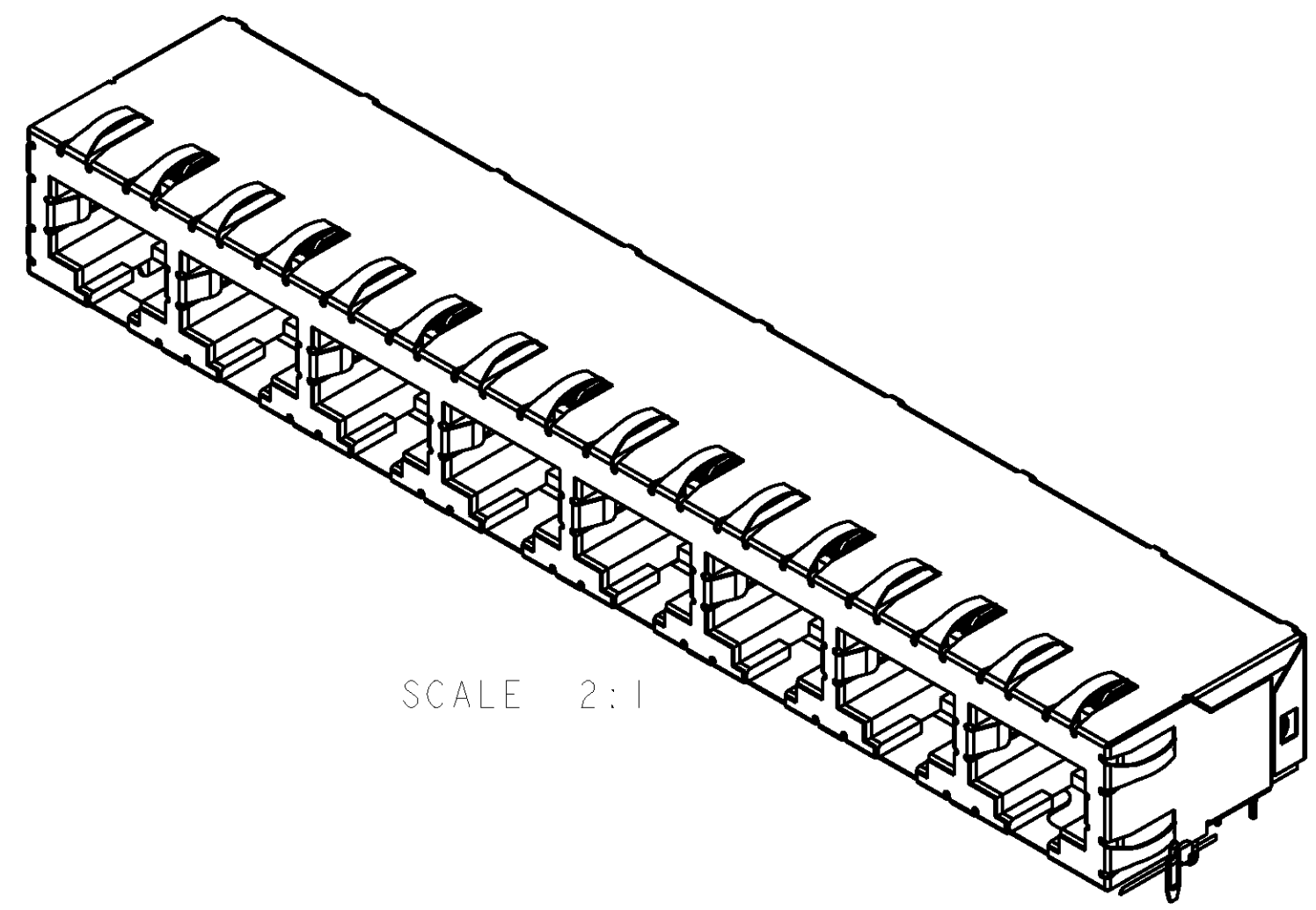


△ HOUSING: PCT POLYESTER, BLACK, UL 94V-0. IR REFLOW PROCESS COMPATIBLE.
 TERMINALS: 0.305 THICK PHOS BRONZE PLATED WITH 1.27µm MINIMUM THICK HARD GOLD IN LOCALIZED AREA AND 2.03µm MINIMUM THICK MATTE TIN IN SOLDER AREA OVER 1.27µm MINIMUM THICK NICKEL UNDERPLATE.
 SHIELD: 0.196 THICK COPPER ALLOY PLATED WITH 1.27µm MINIMUM NICKEL AND 2.03µm MINIMUM HOT TIN DIP ON PCB GROUND TABS.

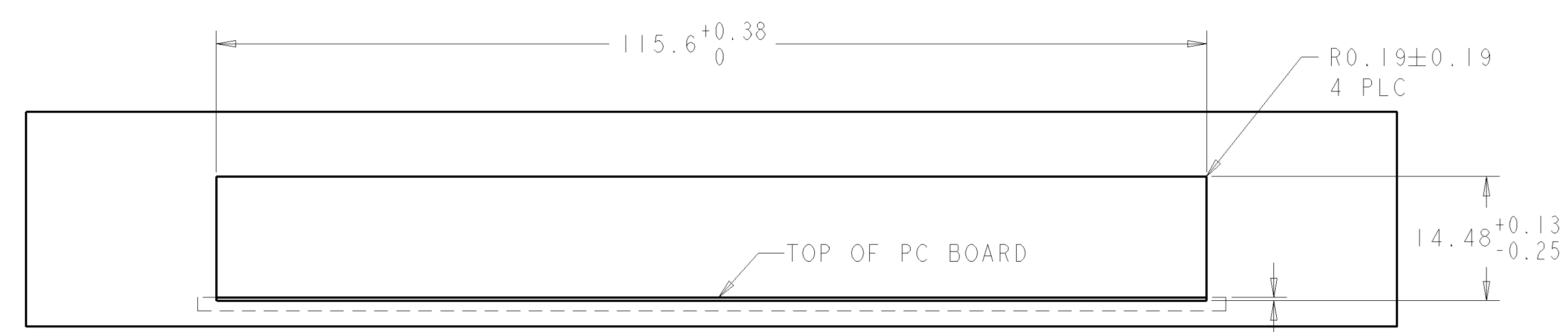
- △ 2 JACK CAVITY CONFORMS TO FCC RULES AND REGULATIONS, PART 68 SUBPART F
 - △ 3 CENTER BOARD LOCATOR AND PCB HOLE REQUIRED FOR ALL, EXCEPT -1
 - △ 4 PCB HOLES/TABS USED FOR -4
 - △ 5 PCB HOLES/TABS USED FOR -2, -3, AND -5
 - △ 6 USE #30 DRILL BIT OR 3.25mm DRILL BIT WHEN PRODUCING THESE PCB HOLES
 - △ 7 PCB HOLES/TABS USED FOR -6
8. RECOMMENDED APPLICATIONS: FAST ETHERNET, 10 BASE-T ETHERNET, AND 10/100 BASE-T ETHERNET (CAT 5 TWO PAIR 1/2, 3/6)
9. OBSOLETE PARTS: OBSOLETE CIS STREAMLINING PER D.RENAUD/D.SINISI



PC BOARD VIEWED FROM COMPONENT SIDE OF BOARD
 SCALE 3:1



SCALE 2:1



SUGGESTED PANEL CUTOUT DIMENSIONS
 SCALE 2:1

3.56	3.68	7	3	3.56	6339169-6
3.15	4.57	1	3	3.56	6339169-5
3.56	3.68	3	3	3.56	△ 6339169-4
3.56	4.57	1	3	3.56	6339169-3
3.56	3.68	1	3	3.56	6339169-2
3.56	4.57	0	2	3.56	△ 6339169-1
DIM C	DIM B	NUMBER OF REAR PCB TABS	NUMBER OF BOARD LOCATORS	DIM A	PART NO.

DIMENSIONS: mm		TOLERANCES UNLESS OTHERWISE SPECIFIED:		DRAWN: L. VARELA - DOCK 5	
9 PLC	±.25	9 PLC	±.25	DATE: 23 JUN 2005	NAME: S. FLICKINGER
3 PLC	±.25	3 PLC	±.25	DATE: 23 JUN 2005	NAME: J. WESTMAN
5 PLC	±.25	5 PLC	±.25	PRODUCT SPEC: 108-1163-9	APPLICATION SPEC: 114-2048
4 PLC	±.25	4 PLC	±.25	WEIGHT: -	SIZE: 114-2048
ANGLES	±.25	ANGLES	±.25	CUSTOMER DRAWING	SCALE: 4:1
MATERIAL: -		FINISH: -		SHEET 1 OF 1	
MATERIAL: -		FINISH: -		REV B3	



ASSEMBLY, MULTI-PORT, 1X8, 8 POSITION, SHIELDED, WAVE PANEL GROUND

100779 C=6339169