



Chipsmall Limited consists of a professional team with an average of over 10 year of expertise in the distribution of electronic components. Based in Hongkong, we have already established firm and mutual-benefit business relationships with customers from,Europe,America and south Asia,supplying obsolete and hard-to-find components to meet their specific needs.

With the principle of “Quality Parts,Customers Priority,Honest Operation,and Considerate Service”,our business mainly focus on the distribution of electronic components. Line cards we deal with include Microchip,ALPS,ROHM,Xilinx,Pulse,ON,Everlight and Freescale. Main products comprise IC,Modules,Potentiometer,IC Socket,Relay,Connector.Our parts cover such applications as commercial,industrial, and automotives areas.

We are looking forward to setting up business relationship with you and hope to provide you with the best service and solution. Let us make a better world for our industry!



## Contact us

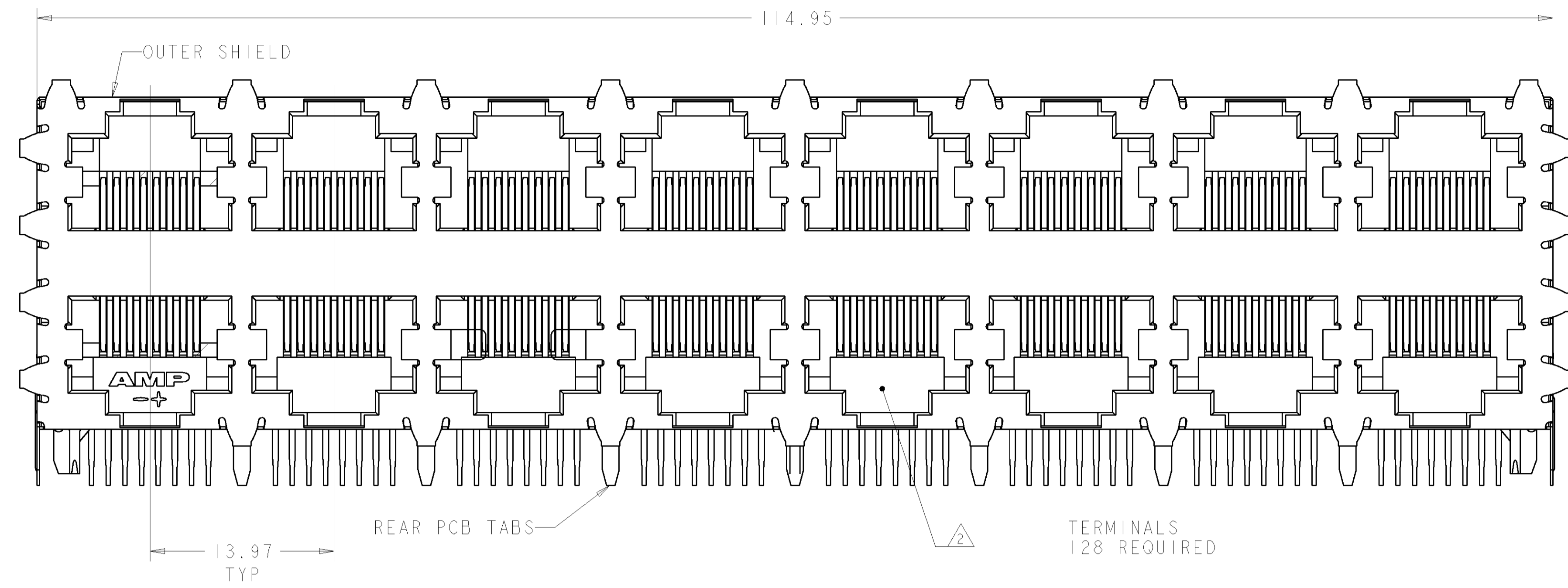
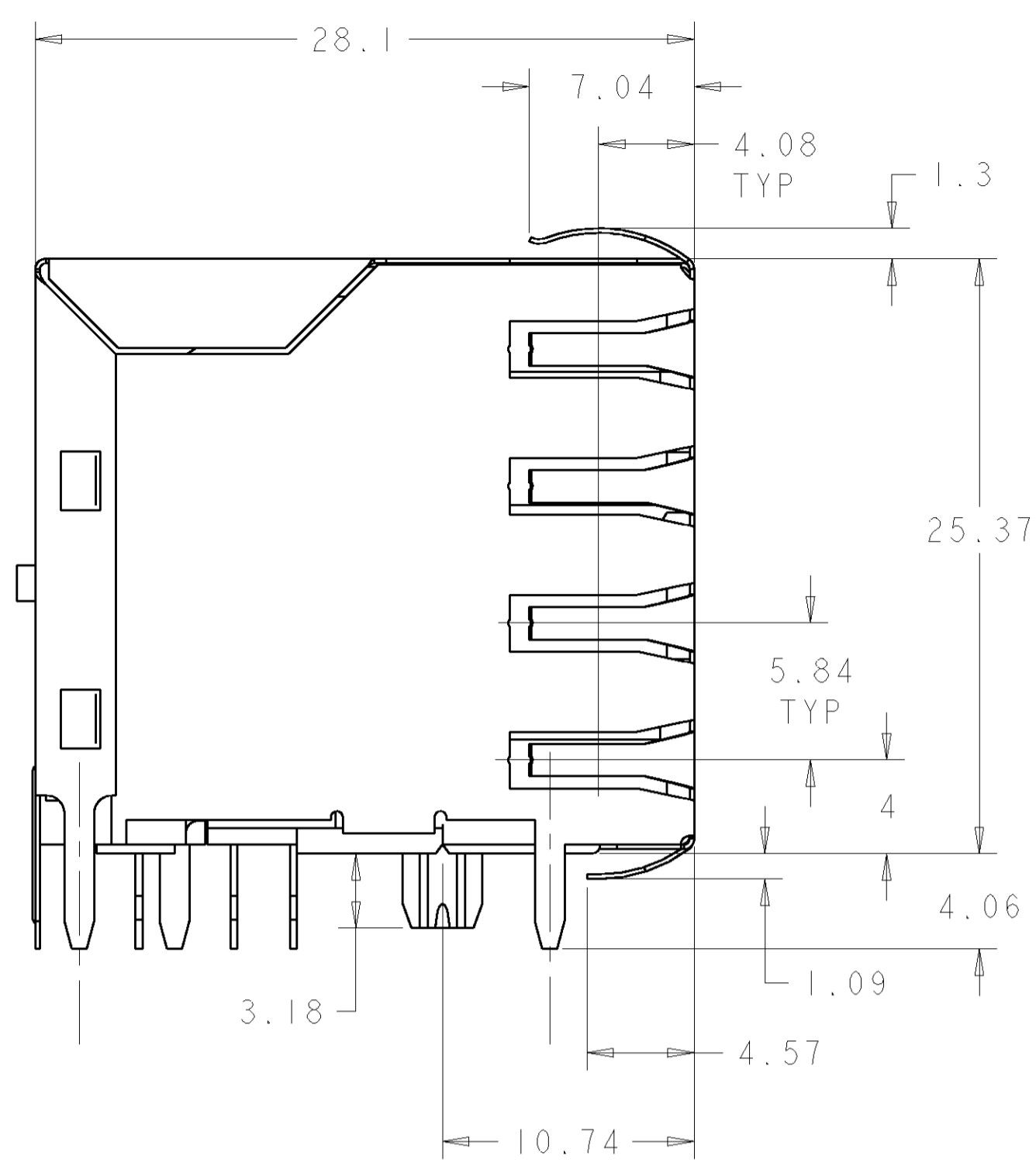
Tel: +86-755-8981 8866 Fax: +86-755-8427 6832

Email & Skype: info@chipsmall.com Web: www.chipsmall.com

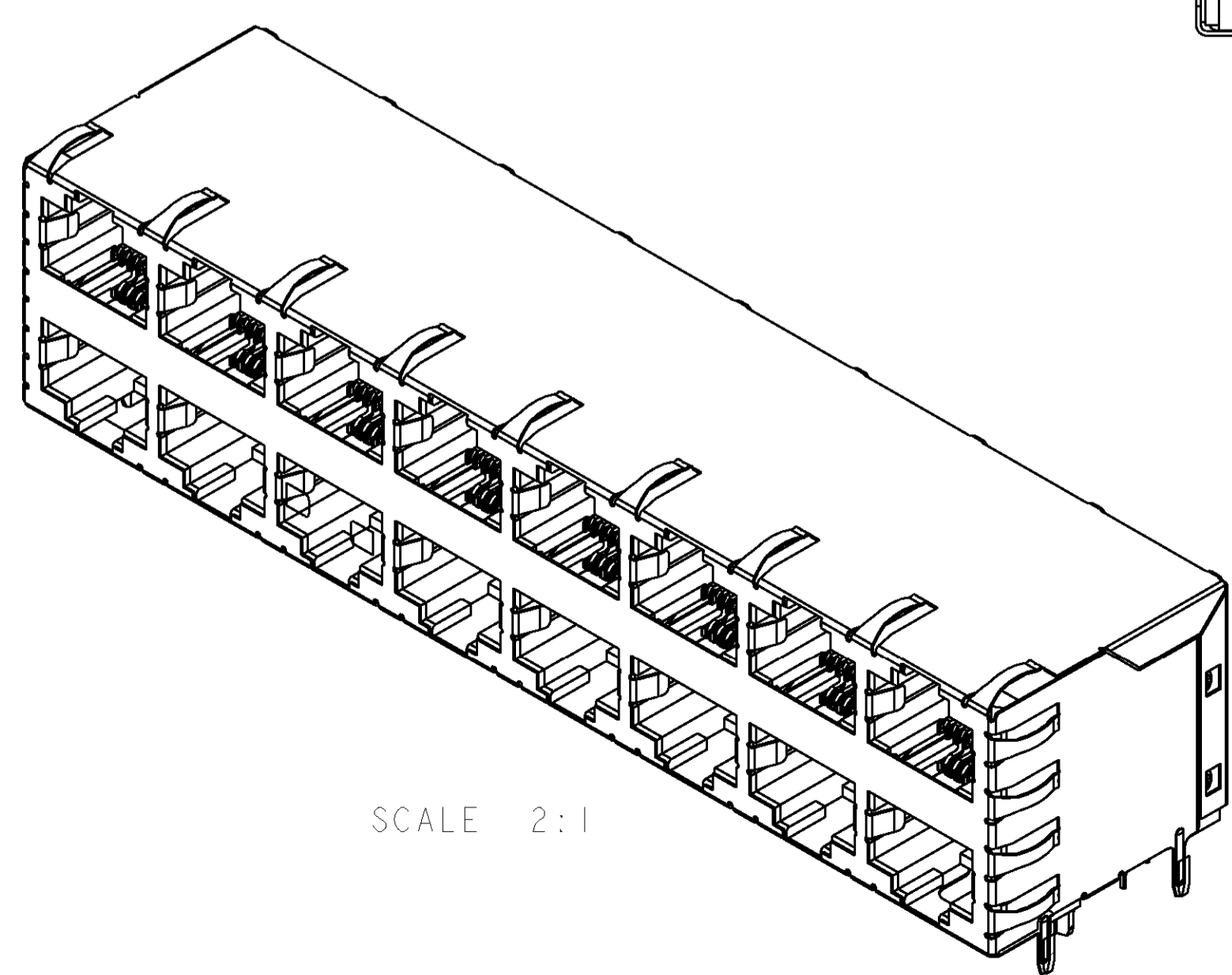
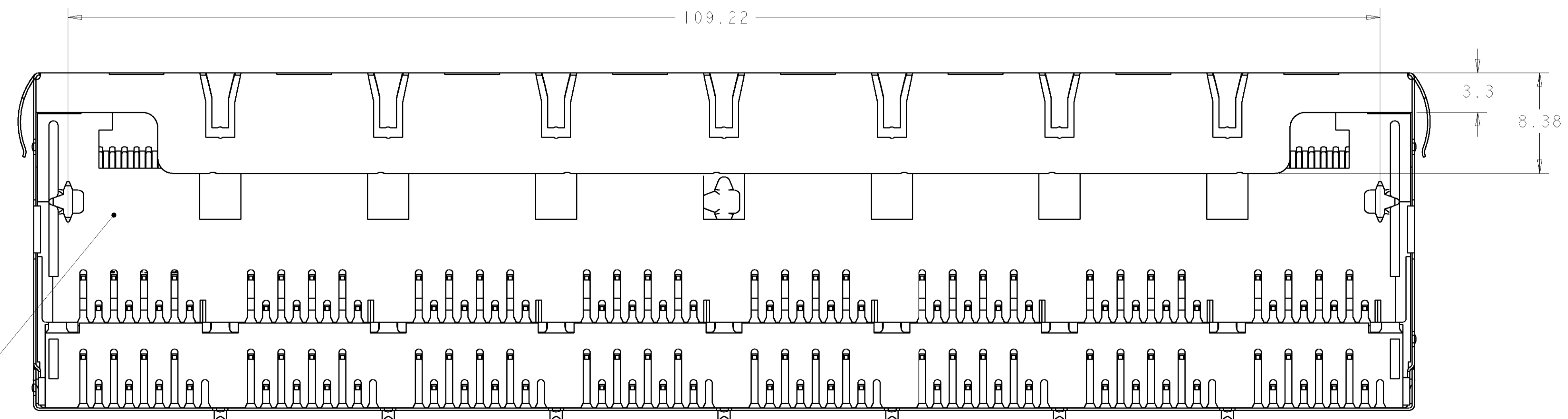
Address: A1208, Overseas Decoration Building, #122 Zhenhua RD., Futian, Shenzhen, China



LOC		DIST		REVISIONS			
P	LTR	DESCRIPTION	DATE	BY	APPD	REV	DATE
A		REV PER ECO11-0201-04	21JUN2005	GA	SF		
B		REV PER ECO-07-004583	02MAR2007	RG	JW		
<b>B1</b>		<b>REVISED PER ECO-10-000445</b>	<b>11JAN10</b>	<b>KK</b>	<b>AEG</b>		



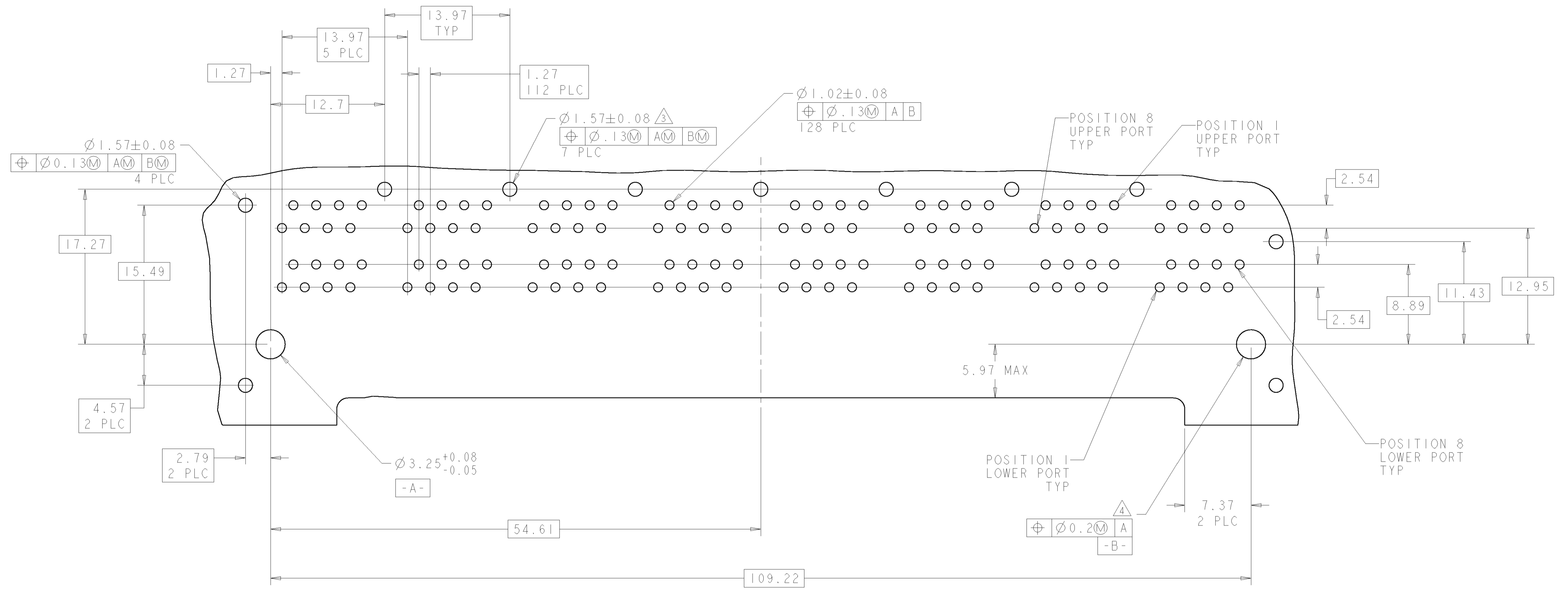
- △ HOUSING: PCT POLYESTER, BLACK, UL 94V-0. IR REFLOW PROCESS COMPATIBLE
- TERMINALS: 0.305 THICK PHOS BRONZE PLATED WITH 1.27µm MINIMUM THICK HARD GOLD IN LOCALIZED AREA AND 2.03µm MINIMUM THICK MATTE TIN IN SOLDER AREA OVER 1.27µm MINIMUM THICK NICKEL UNDERPLATE.
- SHIELD: 0.196 THICK COPPER ALLOY PLATED WITH 1.27µm MINIMUM NICKEL AND 2.03µm MINIMUM HOT TIN DIP ON PCB GROUND TABS.
- △ JACK CAVITY CONFORMS TO FCC RULES AND REGULATIONS, PART 68 SUBPART F
- △ PCB HOLES ONLY REQUIRED FOR 6339170-1
- △ USE #30 DRILL BIT OR 3.25mm DRILL BIT WHEN PRODUCING THESE PCB HOLES
- 5. RECOMMENDED APPLICATIONS: FAST ETHERNET, AND 10/100 BASE-T ETHERNET (CAT 5 TWO PAIR 1/2, 3/6)
- △ OBSOLETE PARTS: OBSOLETE CIS STREAMLINING PER D.RENAUD/D.SINISI



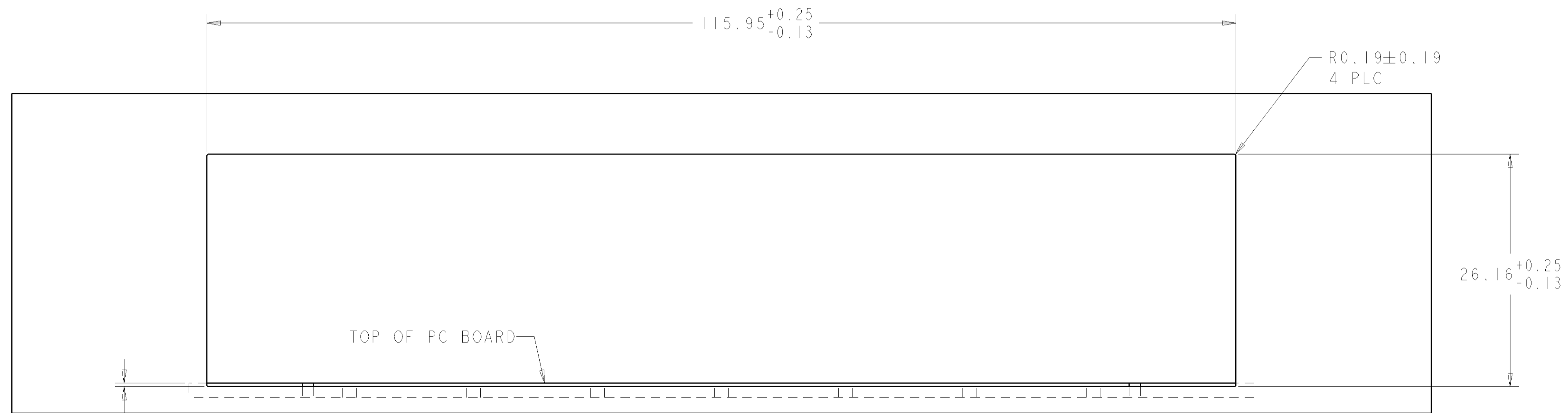
6 OBSOLETE	NONE	<del>6339170-2</del>
	7	6339170-1
	NUMBER OF REAR PCB TABS	PART NO.

DIMENSIONS:		TOLERANCES UNLESS OTHERWISE SPECIFIED:		DWN G. ATTADIA 21JUN2005		AMP Incorporated	
mm		0 PLC ±.25		CHK J. WESTMAN 21JUN2005		Harrisburg, PA 17105-3608	
Ø		1 PLC ±.25		APPD S. FLICKINGER 21JUN2005		NAME	
H		2 PLC ±.25		PRODUCT SPEC		ASSEMBLY, STACKED JACK, 2X8,	
D		3 PLC ±.25		APPLICATION SPEC		8 POSITION, SHIELDED,	
R		4 PLC ±.25		SIZE		WAVE PANEL GROUND	
A		ANGLES ±.25		WEIGHT		RESTRICTED TO	
FINISH		MATERIAL		CUSTOMER DRAWING		SCALE 4:1 SHEET 1 OF 2 REV B1	

LOC	DIST	REV	DATE	BY	APPD
AA	22				



PC BOARD LAYOUT VIEWED FROM COMPONENT SIDE OF BOARD  
 SCALE 4:1



SUGGESTED PANEL CUTOUT DIMENSIONS  
 SCALE 3:1

DIMENSIONS:		TOLERANCES UNLESS OTHERWISE SPECIFIED:		DWN		REV	
mm		0 PLC	±.25	ATTAD1A	21 JUN 2005	1	
		1 PLC	±.25	J. WESTMAN	21 JUN 2005	2	
		2 PLC	±.25	S. FLICKINGER	21 JUN 2005	3	
		3 PLC	±.25				
		4 PLC	±.25				
		ANGLES	±.25				
MATERIAL	FINISH	WEIGHT		114-2048			
				CUSTOMER DRAWING	SCALE 4:1	SHEET 2 OF 2	REV B1