



Chipsmall Limited consists of a professional team with an average of over 10 year of expertise in the distribution of electronic components. Based in Hongkong, we have already established firm and mutual-benefit business relationships with customers from,Europe,America and south Asia,supplying obsolete and hard-to-find components to meet their specific needs.

With the principle of “Quality Parts,Customers Priority,Honest Operation,and Considerate Service”,our business mainly focus on the distribution of electronic components. Line cards we deal with include Microchip,ALPS,ROHM,Xilinx,Pulse,ON,Everlight and Freescale. Main products comprise IC,Modules,Potentiometer,IC Socket,Relay,Connector.Our parts cover such applications as commercial,industrial, and automotives areas.

We are looking forward to setting up business relationship with you and hope to provide you with the best service and solution. Let us make a better world for our industry!



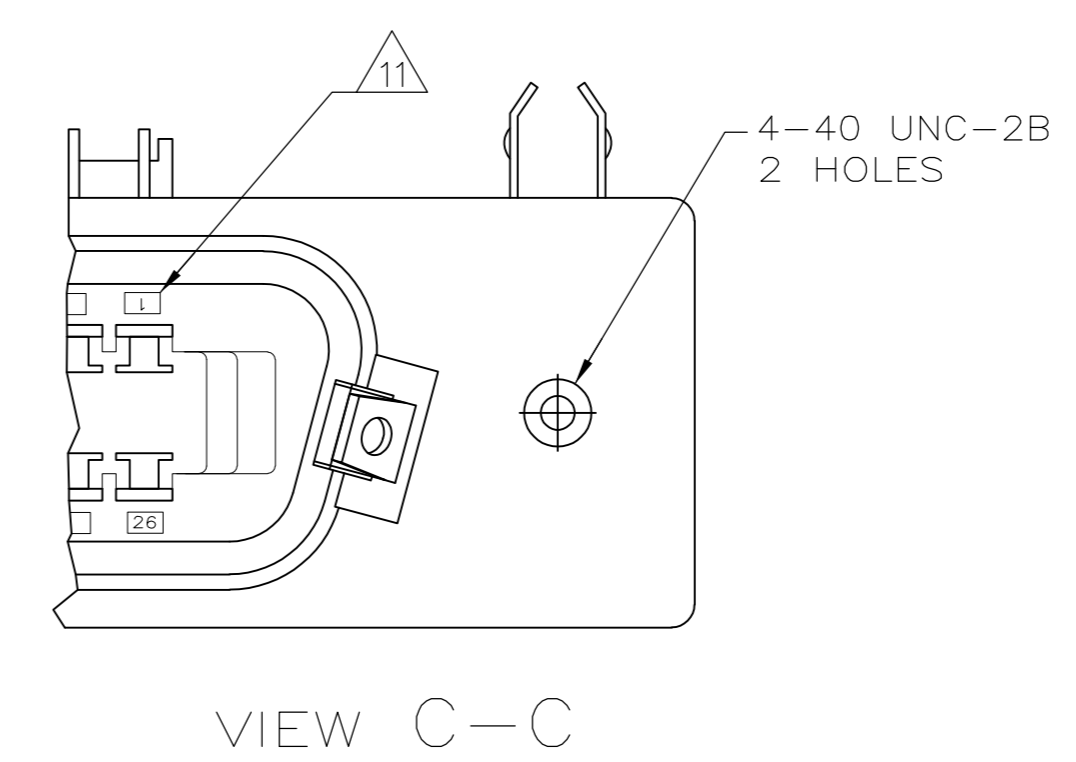
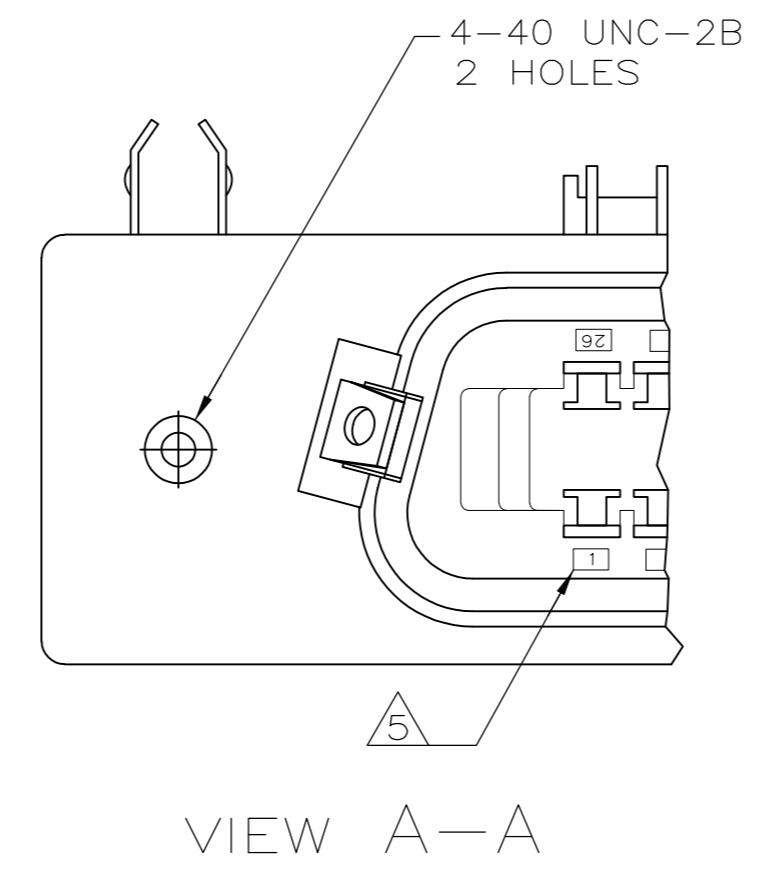
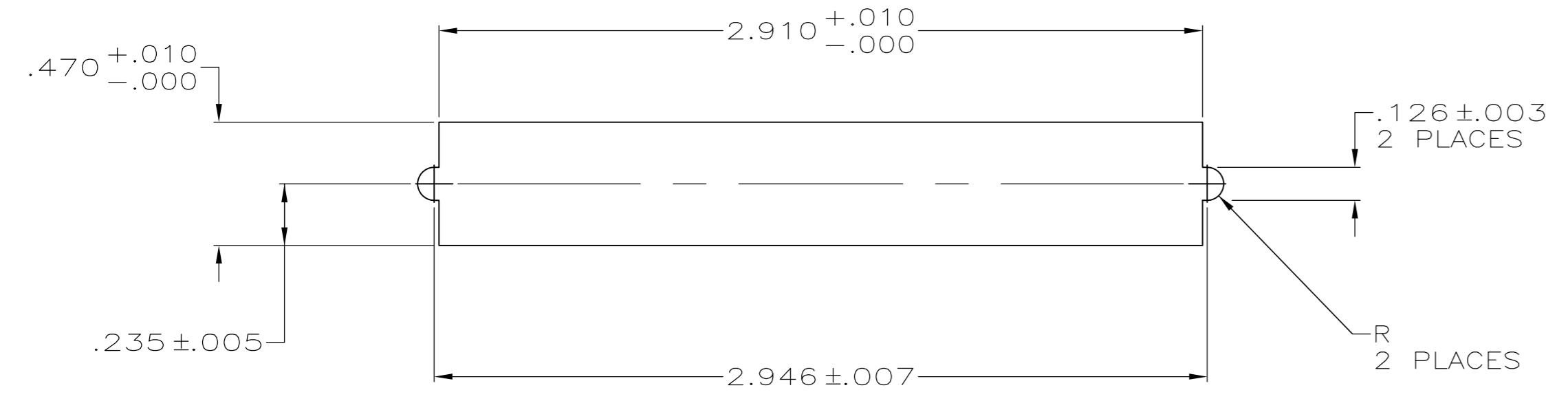
Contact us

Tel: +86-755-8981 8866 Fax: +86-755-8427 6832

Email & Skype: info@chipsmall.com Web: www.chipsmall.com

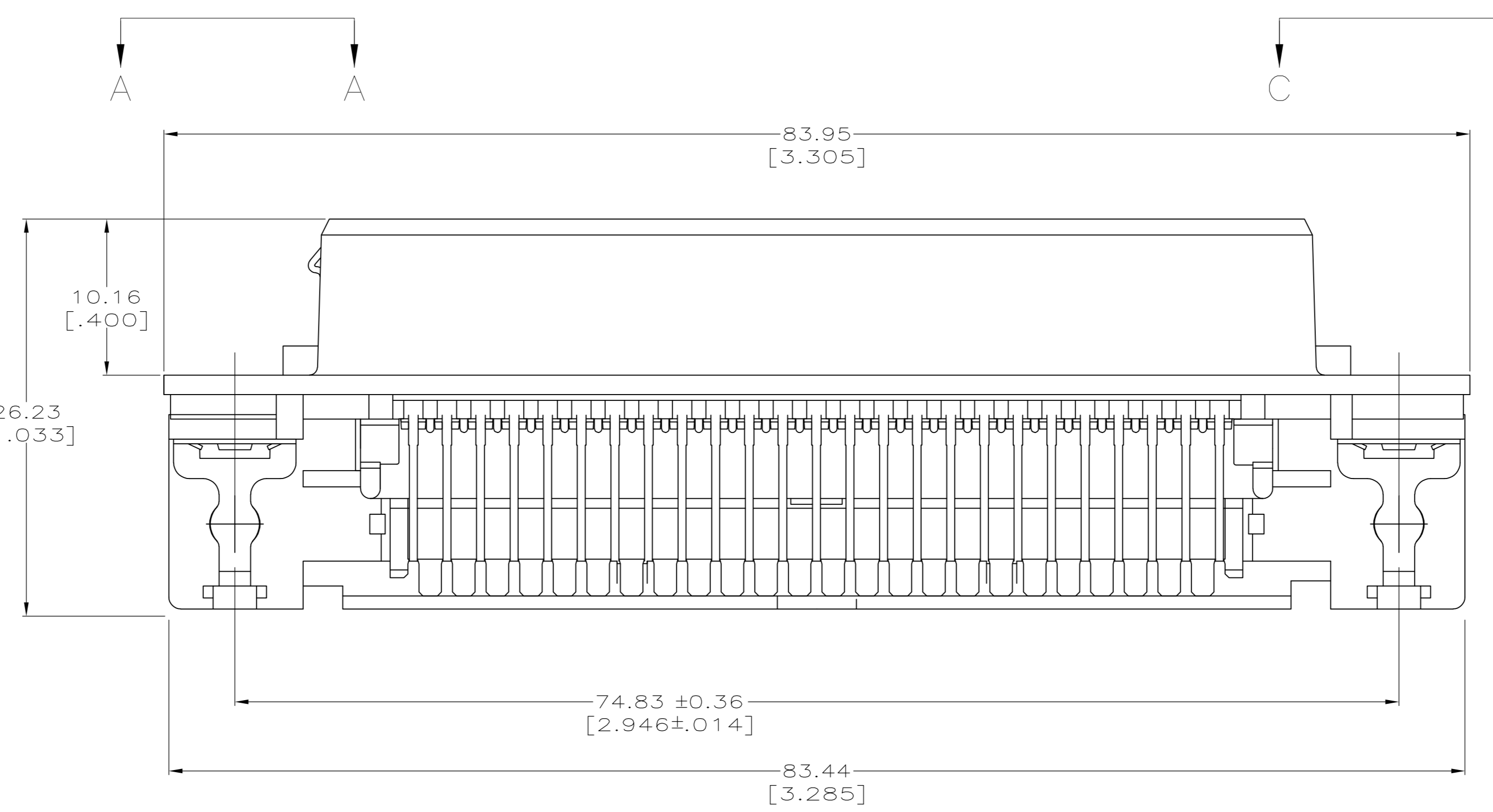
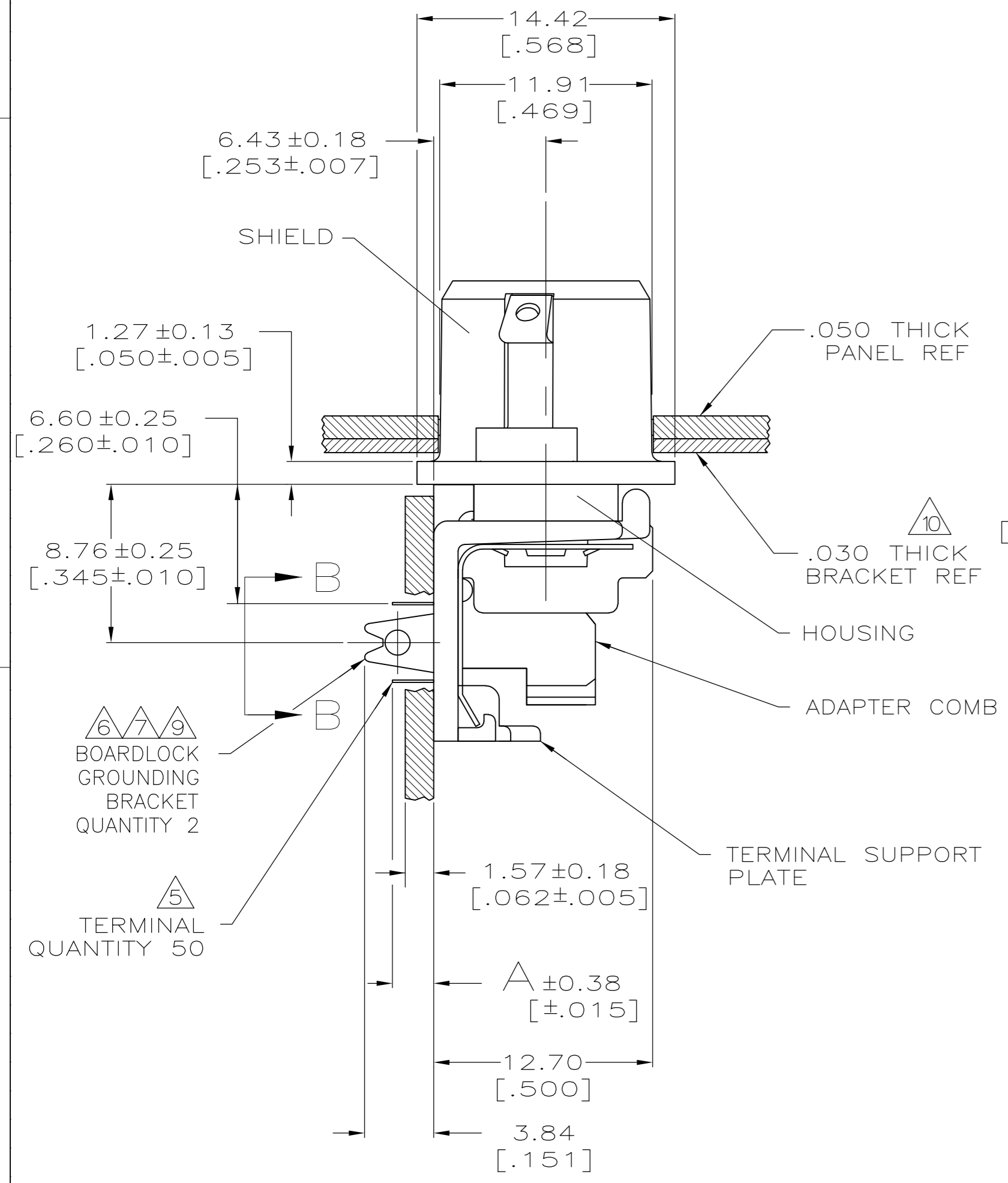
Address: A1208, Overseas Decoration Building, #122 Zhenhua RD., Futian, Shenzhen, China



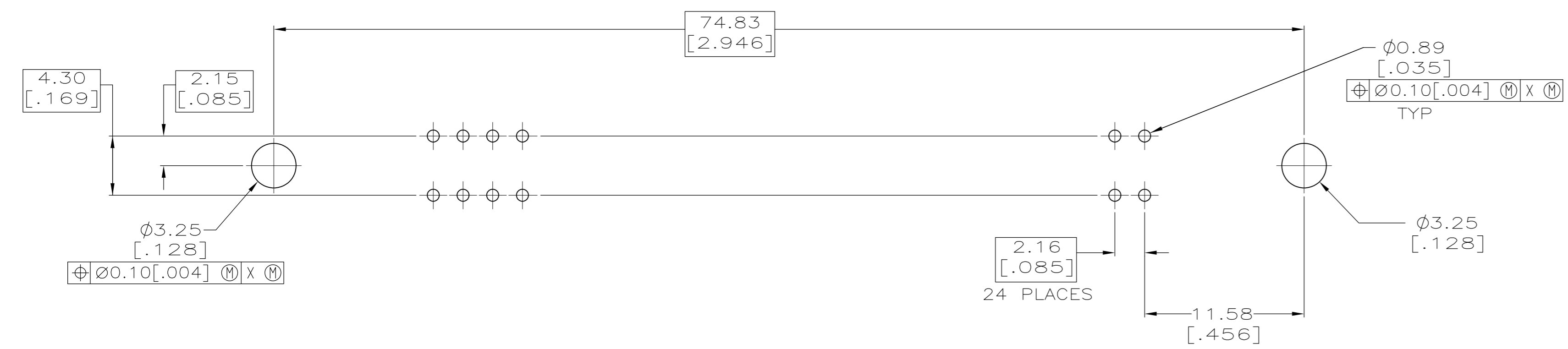


- 1 MATERIAL: HOUSING, ADAPTER COMB & SUPPORT PLATE - POLYESTER, BLACK. TERMINALS - HIGH STRENGTH COPPER ALLOY PLATED WITH EITHER 0.76µm [.000030] MIN GOLD PLATE OR GOLD FLASH OVER PALLADIUM NICKEL PLATE, 0.76µm [.000030] MIN TOTAL ON MATING SURFACE. 3.05µm [.000120] MIN TIN PLATE ON TAILS. ALL OVER 1.27µm [.000050] MIN NICKEL UNDERPLATE OVER ENTIRE TERMINAL. SHIELD - BRIGHT NICKEL OVER COPPER PLATED ZINC. BOARDLOCK GROUND BRACKET - TIN PLATED CARBON STEEL.
- 2. THE CONTACT SURFACES OF THE TERMINALS ARE COATED WITH LUBRICANT.
- 3. CENTER-TO-CENTER SPACING OF TERMINALS IS 2.16 [.085] NOMINAL.
- 4 ALL DIMENSIONS SHOWN ARE MAXIMUM UNLESS OTHERWISE SPECIFIED.
- 5 TERMINAL 1 LOCATED IN THIS ROW FOR STANDARD ORIENTATION, SEE VIEW A-A.
- 6 BOARDLOCK GROUNDING BRACKET RETAINS CONNECTOR IN 1.58 [.062] THICK PC BOARD WITHOUT ADDITIONAL HARDWARE.
- 7 BOARDLOCK GROUNDING BRACKET LOCATES CONNECTOR FLUSH WITH TOP OF PC BOARD AND SPRING LOCKS BENEATH.
- 8 CYLINDRICAL SHAPE OFFERS 180° OF SOLDERING SURFACE.
- 9 SURFACE AREA OF BOARDLOCK GROUNDING BRACKET BELOW PC BOARD SHALL PASS SOLDERABILITY REQUIREMENTS IN ACCORDANCE WITH AMP SPEC 109-11-2. DISCOLORATION, SCRATCHES, SPOTS AND OTHER COSMETIC DEFICIENCIES TYPICAL OF BARREL PLATING PROCESSES ARE ACCEPTABLE PROVIDING PARTS PASS 24 HOUR EXPOSURE AT 95% RH AT 40°C WITHOUT EVIDENCE OF CORROSION.
- 10 OPTIONAL BRACKET SUPPLIED BY CUSTOMER.
- 11 TERMINAL 1 LOCATED IN THIS ROW FOR REVERSE ORIENTATION, SEE VIEW C-C.
- 12 OBSOLETE PARTS: OBSOLETE CIS STREAMLINING PER D.RENAUD/D.SINISI

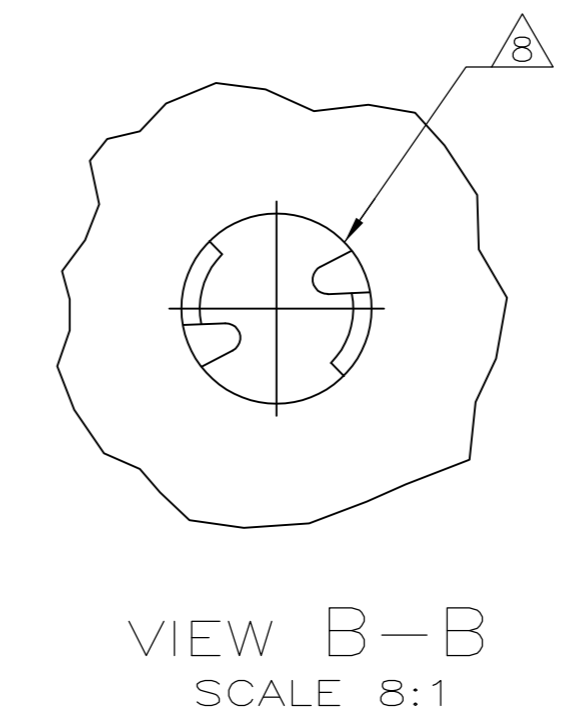
SUGGESTED BRACKET CUTOUT MOUNTING DIMENSIONS SCALE 2:1



6339447-1 AS SHOWN



SUGGESTED PRINTED CIRCUIT BOARD MOUNTING DIMENSIONS



3.175 [.125]	NONE	STANDARD, VIEW A-A	1-6339447-0
3.175 [.125]	1-26	REVERSE, VIEW C-C	6339447-9
2.29 [.090]	NONE	REVERSE, VIEW C-C	6339447-8
2.29 [.090]	NONE	STANDARD, VIEW A-A	6339447-7
2.29 [.090]	25-50	REVERSE, VIEW C-C	6339447-6
2.29 [.090]	25-50	STANDARD, VIEW A-A	6339447-5
2.29 [.090]	1-26/25-50	REVERSE, VIEW C-C	6339447-4
2.29 [.090]	1-26/25-50	STANDARD, VIEW A-A	6339447-3
2.29 [.090]	1-26	REVERSE, VIEW C-C	6339447-2
2.29 [.090]	1-26	STANDARD, VIEW A-A	6339447-1
DIM "A"		LATCH END	ORIENTATION
			PART NUMBER

THIS DRAWING IS A CONTROLLED DOCUMENT.

DIMENSIONS: mm [INCHES]	TOLERANCES UNLESS OTHERWISE SPECIFIED:	0 PLC ± .01	1 PLC ± .01	2 PLC ± .01	3 PLC ± .01	4 PLC ± .01	ANGLES ± .01
MATERIAL		FINISH		SCALE		SHEET	
STE		TE Connectivity		A1		1 OF 1	

RECEPTACLE ASSEMBLY, LOW PROFILE, SHIELDED, RIGHT ANGLE, 50 POSITION, BOARD LOCK, INTEGRAL LOCKING LATCH, CHAMP

00779 6339447

CUSTOMER DRAWING SCALE 4:1 SHEET 1 OF 1 REV C4