



Chipsmall Limited consists of a professional team with an average of over 10 year of expertise in the distribution of electronic components. Based in Hongkong, we have already established firm and mutual-benefit business relationships with customers from,Europe,America and south Asia,supplying obsolete and hard-to-find components to meet their specific needs.

With the principle of “Quality Parts,Customers Priority,Honest Operation,and Considerate Service”,our business mainly focus on the distribution of electronic components. Line cards we deal with include Microchip,ALPS,ROHM,Xilinx,Pulse,ON,Everlight and Freescale. Main products comprise IC,Modules,Potentiometer,IC Socket,Relay,Connector.Our parts cover such applications as commercial,industrial, and automotives areas.

We are looking forward to setting up business relationship with you and hope to provide you with the best service and solution. Let us make a better world for our industry!



## Contact us

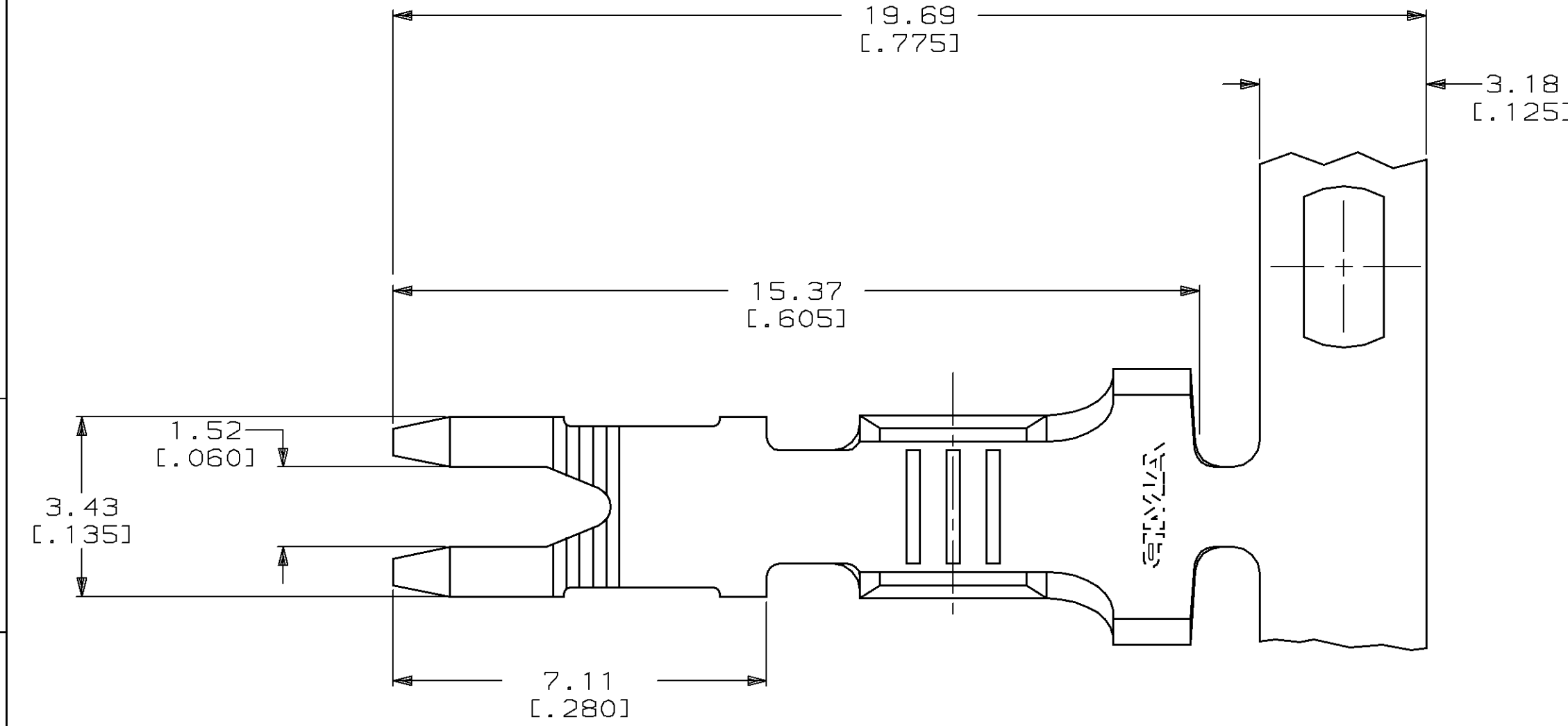
Tel: +86-755-8981 8866 Fax: +86-755-8427 6832

Email & Skype: info@chipsmall.com Web: www.chipsmall.com

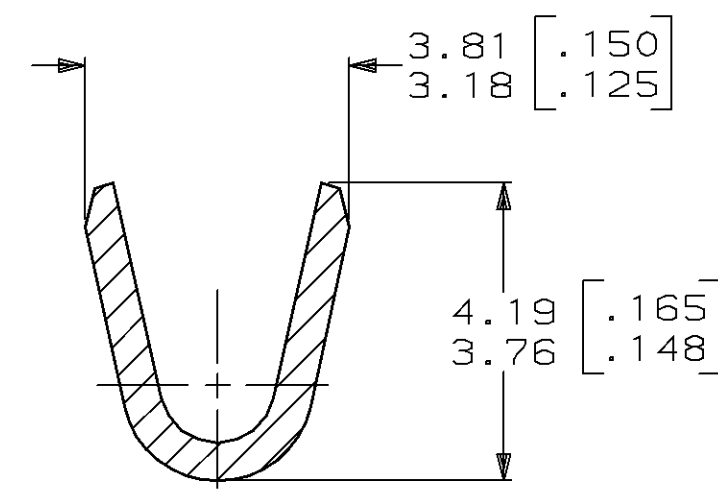
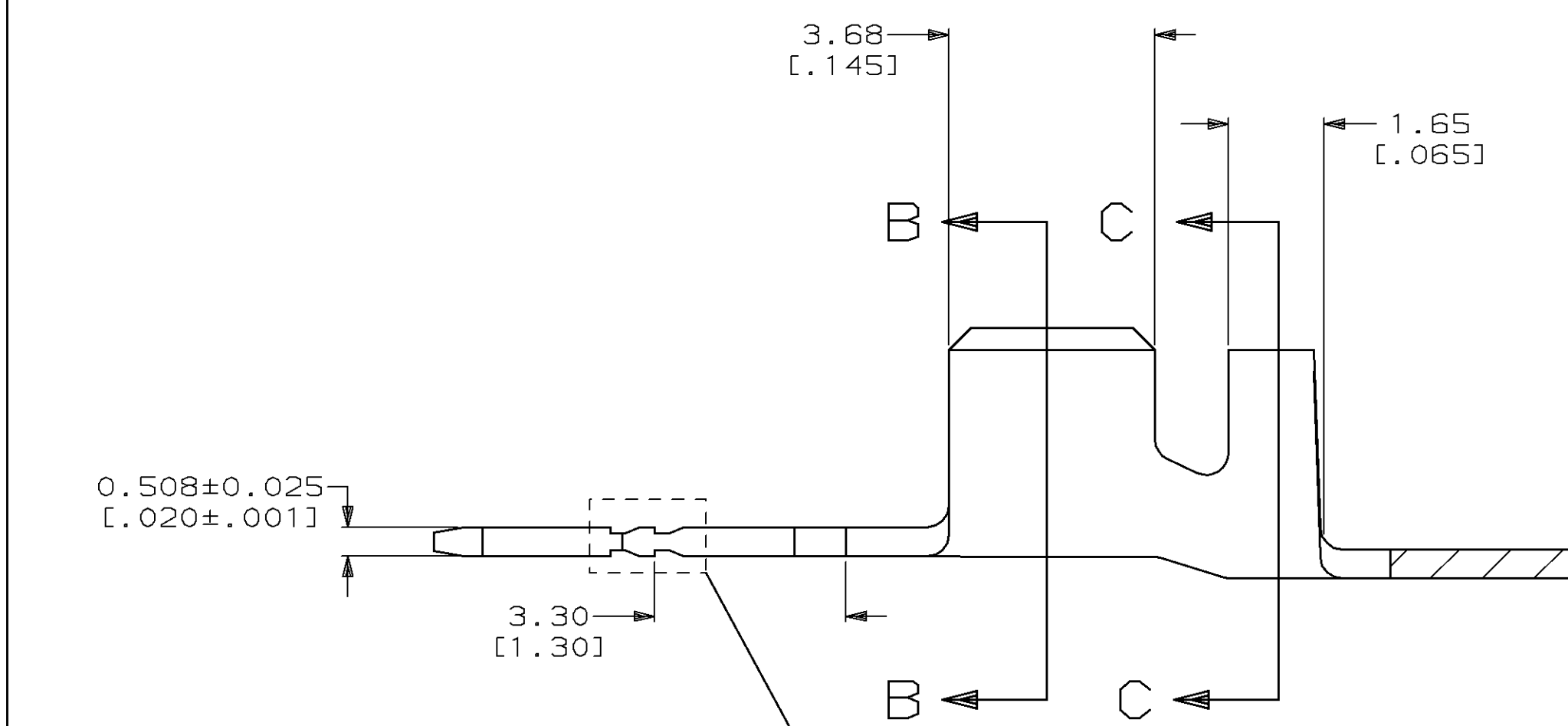
Address: A1208, Overseas Decoration Building, #122 Zhenhua RD., Futian, Shenzhen, China



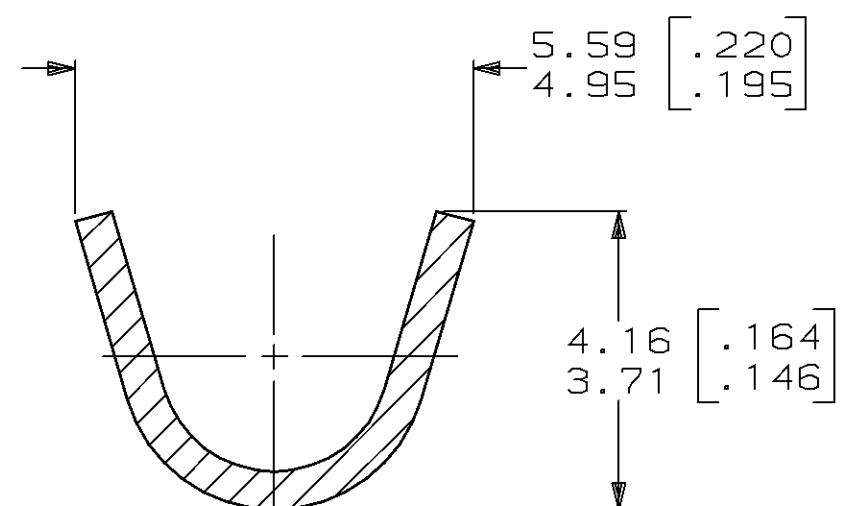
LOC		DIST		REVISIONS				DATE	APPD
P	F	ZONE	LTR	DESCRIPTION					
AF	50			D	REACTIVATED PER AF-8121-92		9-15-92	LAM	



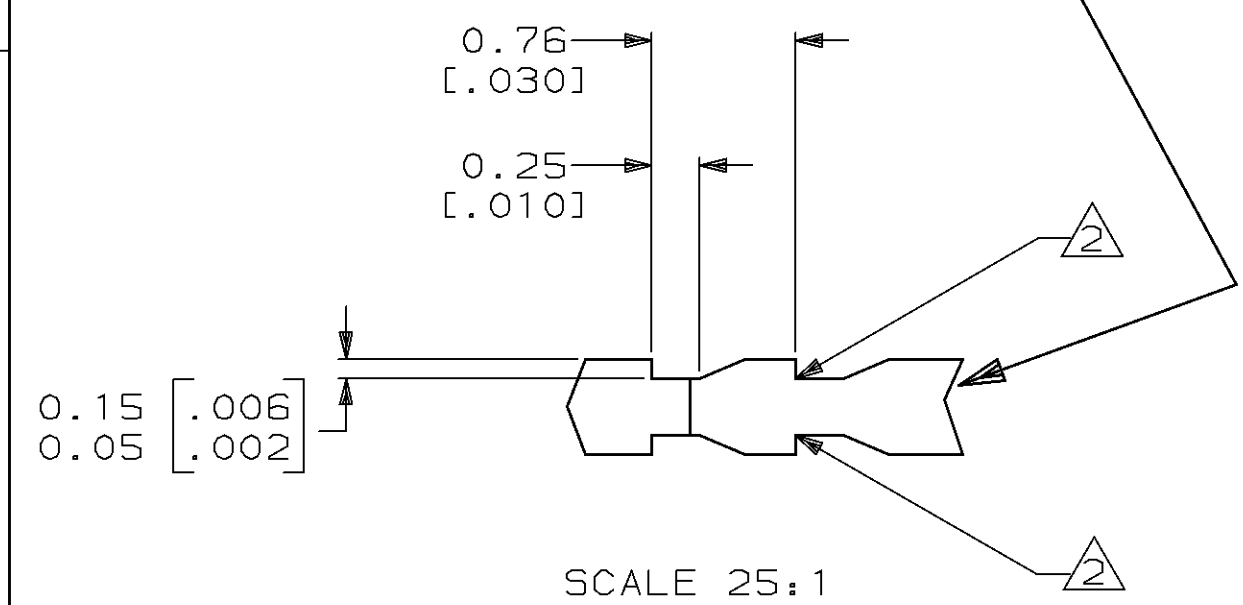
1 CONTINUOUS STRIP ON REELS  
 2 FOR OPTIMUM RETENTION IN POKE-IN TYPE MAG-MATE TERMINALS, ONE OF THE SERRATIONS, AS SHOWN, MUST BE ENGAGED WITH THE EDGE OF THE LEAF



SECTION B-B



SECTION C-C



SCALE 25:1

THIS DRAWING IS A CONTROLLED DOCUMENT FOR AMP INCORPORATED. IT IS SUBJECT TO CHANGE AND THE CONTROLLING ENGINEERING ORGANIZATION SHOULD BE CONTACTED FOR THE LATEST REVISION.

2.29-3.56 [.090-.140] DIA		0.8-2.0 mm <sup>2</sup> [18 - 14] AWG		63397-1	
INSULATION RANGE		WIRE RANGE		PART NO	
DO NOT SCALE PRINT. UNLESS SPECIFIED DIMENSIONS IN mm [INCHES] TOLERANCES ON : 2 PLC DEC ± 0.25 [.010] 3 PLC DEC ± - ANGLES ± -		DR 9-15-92 L.A.MAYER CHK 9-16-92 M.S.FEHER APPD 9-16-92 N.E.NEFF APPD 9-16-92 T.L.SHUTTER		AMP AMP Incorporated Harrisburg, PA 17105-3608	
MATERIAL 082 BRASS		PRODUCT SPEC -		NAME TAB, POKE-IN, MAG-MATE™	
FINISH 0.002032 (.000080) MIN TIN PER (MIL-T-10727)		APPLICATION SPEC 114-2050		SIZE C CAGE CODE 00779 DRAWING NO C=63397	
WEIGHT -		SCALE 10:1		SHEET 1 OF 1	