



Chipsmall Limited consists of a professional team with an average of over 10 year of expertise in the distribution of electronic components. Based in Hongkong, we have already established firm and mutual-benefit business relationships with customers from,Europe,America and south Asia,supplying obsolete and hard-to-find components to meet their specific needs.

With the principle of “Quality Parts,Customers Priority,Honest Operation,and Considerate Service”,our business mainly focus on the distribution of electronic components. Line cards we deal with include Microchip,ALPS,ROHM,Xilinx,Pulse,ON,Everlight and Freescale. Main products comprise IC,Modules,Potentiometer,IC Socket,Relay,Connector.Our parts cover such applications as commercial,industrial, and automotives areas.

We are looking forward to setting up business relationship with you and hope to provide you with the best service and solution. Let us make a better world for our industry!



## Contact us

Tel: +86-755-8981 8866 Fax: +86-755-8427 6832

Email & Skype: info@chipsmall.com Web: www.chipsmall.com

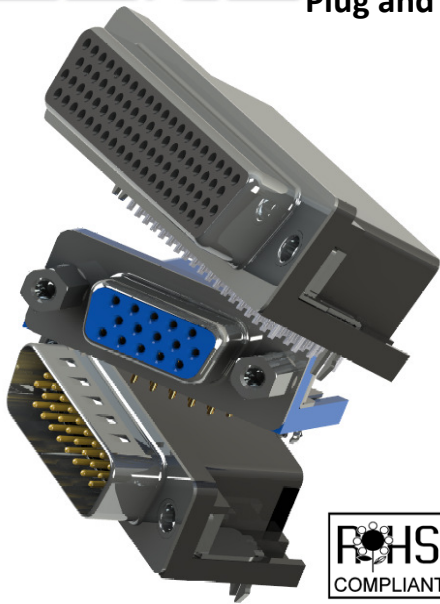
Address: A1208, Overseas Decoration Building, #122 Zhenhua RD., Futian, Shenzhen, China





# SERIES 633/634: HD D-SUB CONNECTOR

Plug and Receptacle, Right Angle, High Density .350" (8.89mm) Footprint

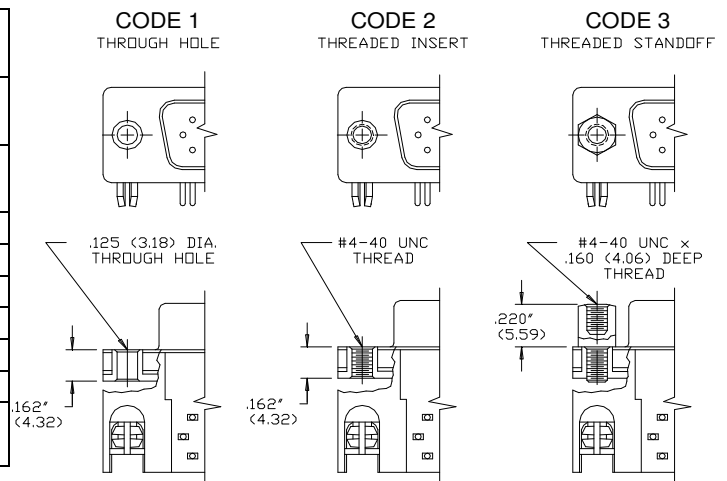


- High Density Three Contact Rows with .350" (8.89mm) Footprint Right Angle Bend
- .090" (2.29mm) Contact Spacing X .078" (1.98mm) Row Spacing
- Optional 9th pin recessed by .050" (1.27mm) on 15 Contact Size in accordance with VESA Display Data Channel Standard
- Plug and Receptacle in 15, 26, 44, 62 or 78 Contact Sizes
- Pin and Socket Contact Mating Design with P.C. Tail Termination
- Metal Shell Provides EMI/RFI Shielding, Plug Shell Indents provide Grounding and Additional Mating Retention
- Grounding Features include Top or Bottom Ground Plates and Two or Four Prong Boardlock for Exceptional Retention to P.C. Board
- Mounting Options for Panel Mount or Connector Mating include Through Hole, Threaded Inserts and Threaded Standoffs
- D-Shaped Connector Mating Outline provides Polarization
- Design based on Requirements of MIL-C-24038, EIA RS-232 and RS-449

## Specifications:

Insulator Material	Thermoplastic Polyester, UL 94V-0, Chemical Resistant, Color: Black or Blue (9th pin recessed)
Contact Material	Plug (Pins): Brass Receptacle (Socket): Brass or Phosphor Bronze
Contact Plating	Selective Gold (See Ordering Code) over Nickel for the Mating Area, Tin Plating for Tail Area
Shell Material	Nickel Plated Steel
Current Rating	3A Per Contact
Contact Resistance	10 Milliohms MAX
Insulation Resistance	5000 Megohms MIN
Dielectric Voltage	1000V AC rms at Sea Level
Operating Temp.	-55°C To +105°C
Mating and Unmating Force	1oz To 10oz (0.28N To 2.78N) Per Contact Position

## MOUNTING OPTIONS



## Ordering Code:

# 634-015-263-042

### SERIES:

633: PLUG (PIN)  
634: RECEPTACLE (SOCKET)

### NO. OF CONTACTS:

015 - 15 CONTACTS    026 - 26 CONTACTS  
044 - 44 CONTACTS    062 - 62 CONTACTS  
078 - 78 CONTACTS

### CONTACT FINISH CODE:

2 - GOLD FLASH PLATING  
3 - 15 MICROINCHES OF GOLD PLATING  
6 - 30 MICROINCHES OF GOLD PLATING

### CONTACT CODE:

63 - STANDARD CONTACT, BLACK INSULATOR  
73 - 9TH PIN CONTACT RECESSED .050", BLACK INSULATOR  
74 - 9TH PIN CONTACT RECESSED .050", BLUE INSULATOR

### MOUNTING OPTIONS:

0 - FIXED ROUND STANDOFF WITH THREADED INSERT  
1 - Ø.125" (Ø3.18MM) THROUGH HOLE  
2 - 4-40 UNC THREADED INSERT  
3 - 4-40 UNC HEX THREADED STANDOFF

### GROUNDING FEATURE:

1 - Ø.120" (Ø3.05MM) THROUGH HOLE TOP GROUND  
2 - Ø.120" (Ø3.05MM) THROUGH HOLE BOTTOM GROUND  
3 - TWO PRONG BOARDLOCKS FOR Ø.120" (Ø3.05MM) HOLE  
4 - THREE PRONG BOARDLOCKS FOR Ø.120" (Ø3.05MM) HOLE

### MATERIAL CODE:

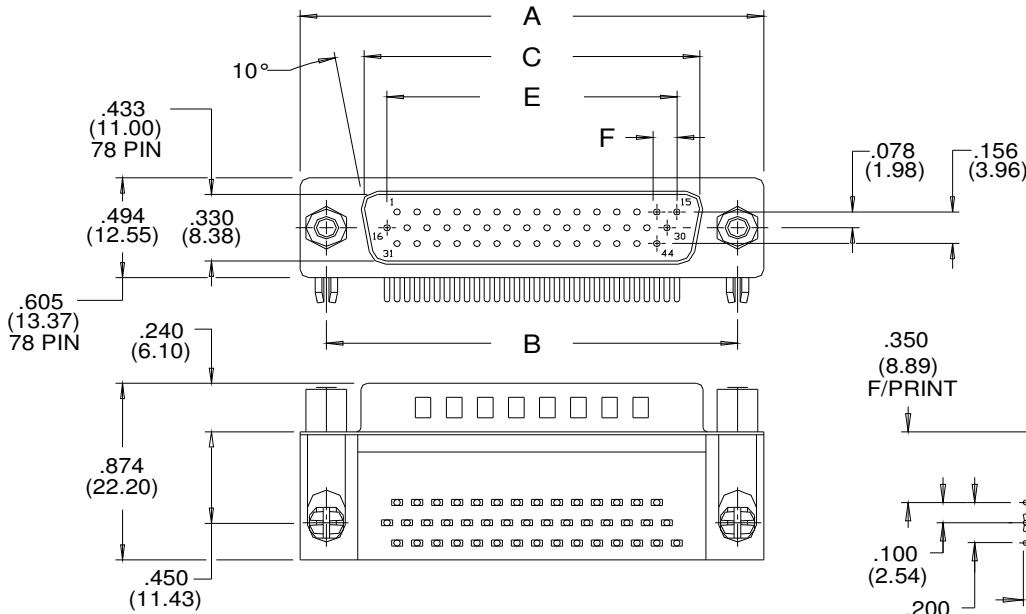
0 - BRASS (633); PHOSPHOR BRONZE (634)  
1 - BRASS (634 ONLY)  
5 - PHOSPHOR BRONZE, HIGH TEMP INSULATOR (634)  
- BRASS, HIGH TEMP INSULATOR (633)  
6 - BRASS, HIGH TEMP INSULATOR (634 ONLY)





# SERIES 633/634: HD D-SUB CONNECTOR

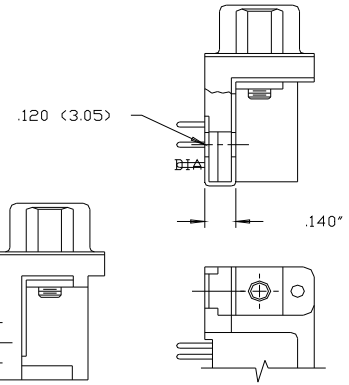
Plug and Receptacle, Right Angle, High Density .350" (8.89mm) Footprint



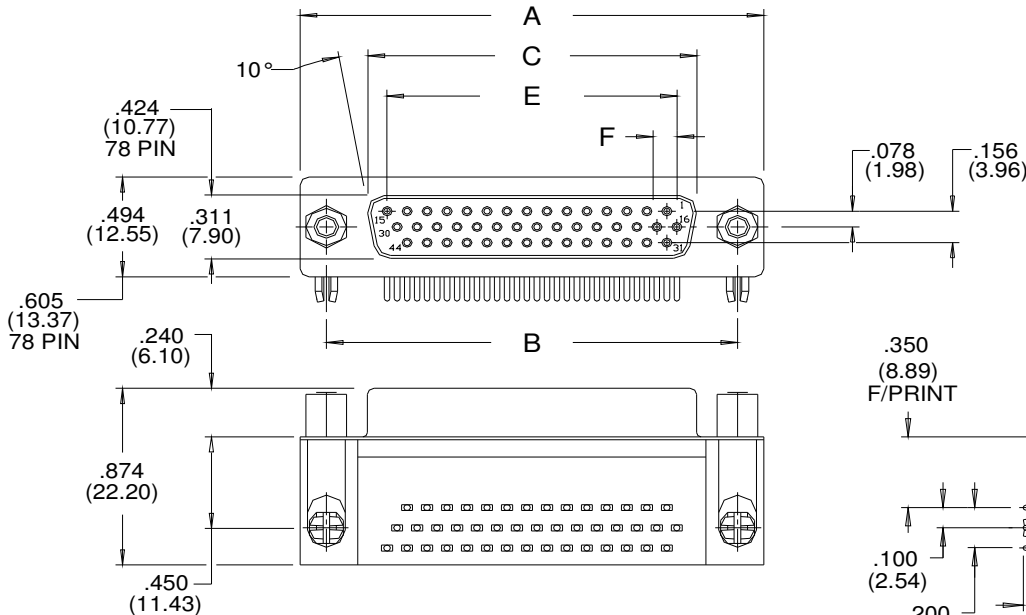
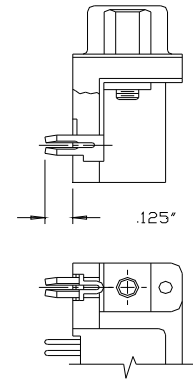
RECEPTACLE 634 SERIES

## GROUNDING FEATURES

CODE 2  
BOTTOM GROUND PLATE



CODE 4  
FOUR PRONG BOARD LOCK



NUMBER OF CONTACTS	A		B		C PLUG		C RECEPTACLE		E		F	
	Inch	(mm)	Inch	(mm)	Inch	(mm)	Inch	(mm)	Inch	(mm)	Inch	(mm)
15	1.214	(30.84)	.984	(24.99)	.667	(16.92)	.640	(16.26)	.405	(10.29)	.090	(2.29)
26	1.545	(39.24)	1.312	(33.32)	.994	(25.25)	.967	(24.56)	.765	(19.43)	.090	(2.29)
44	2.088	(53.04)	1.852	(47.04)	1.534	(38.96)	1.508	(38.30)	1.305	(33.15)	.090	(2.29)
62	2.730	(69.34)	2.500	(63.50)	2.182	(55.42)	2.156	(54.76)	1.947	(49.45)	.095	(2.41)
78	2.635	(66.93)	2.406	(61.11)	2.090	(53.08)	2.064	(52.43)	1.805	(45.85)	.095	(2.41)