



Chipsmall Limited consists of a professional team with an average of over 10 year of expertise in the distribution of electronic components. Based in Hongkong, we have already established firm and mutual-benefit business relationships with customers from,Europe,America and south Asia,supplying obsolete and hard-to-find components to meet their specific needs.

With the principle of “Quality Parts,Customers Priority,Honest Operation,and Considerate Service”,our business mainly focus on the distribution of electronic components. Line cards we deal with include Microchip,ALPS,ROHM,Xilinx,Pulse,ON,Everlight and Freescale. Main products comprise IC,Modules,Potentiometer,IC Socket,Relay,Connector.Our parts cover such applications as commercial,industrial, and automotives areas.

We are looking forward to setting up business relationship with you and hope to provide you with the best service and solution. Let us make a better world for our industry!



Contact us

Tel: +86-755-8981 8866 Fax: +86-755-8427 6832

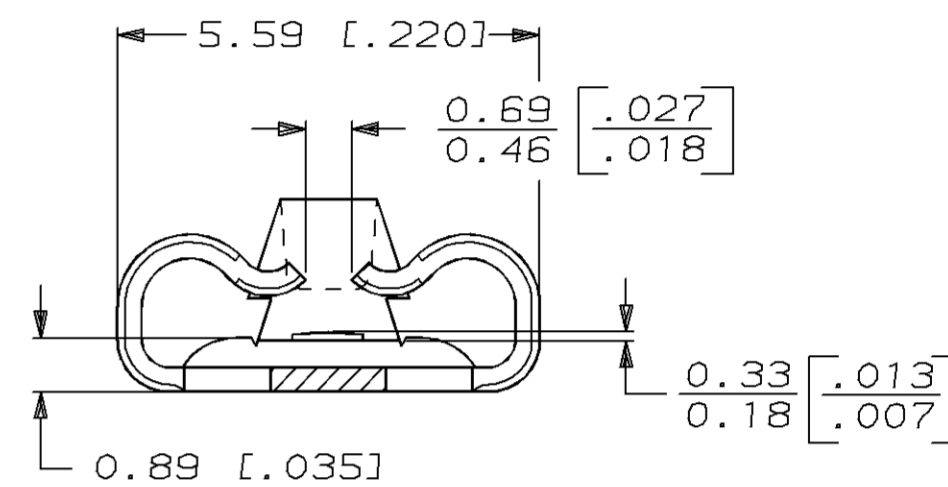
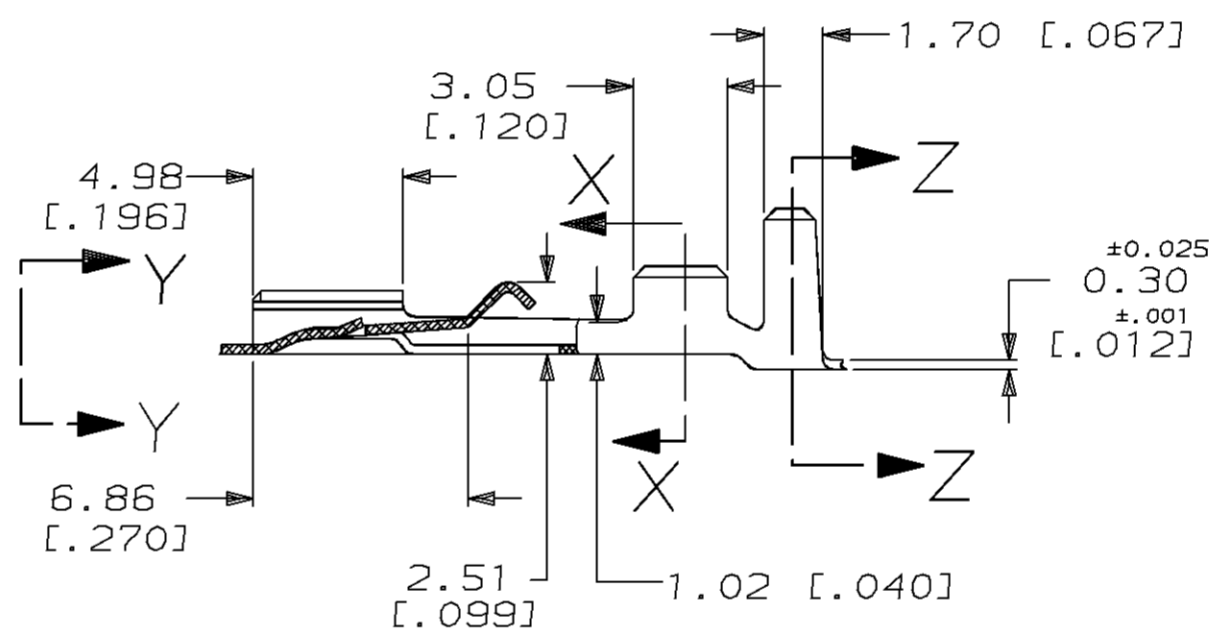
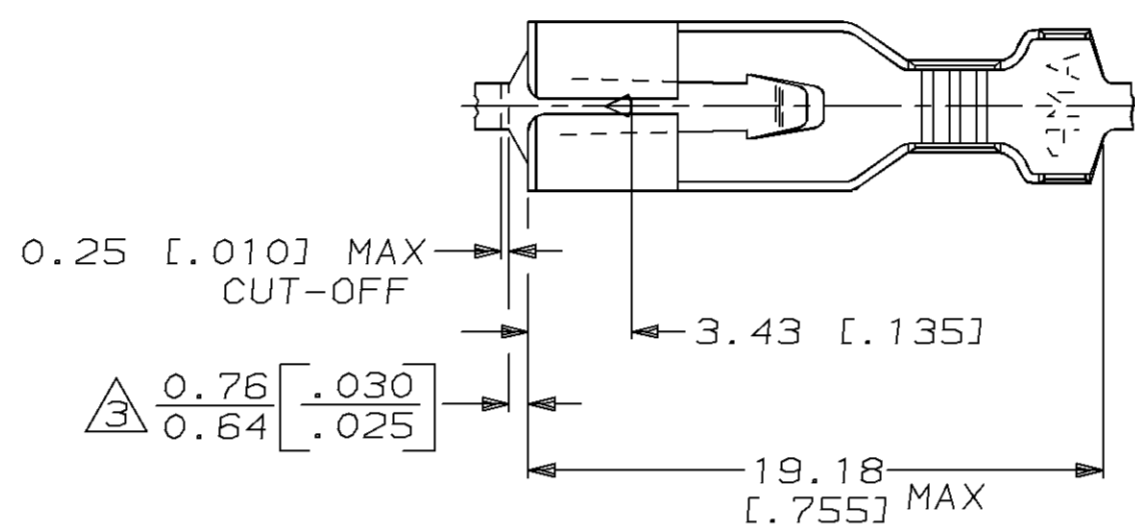
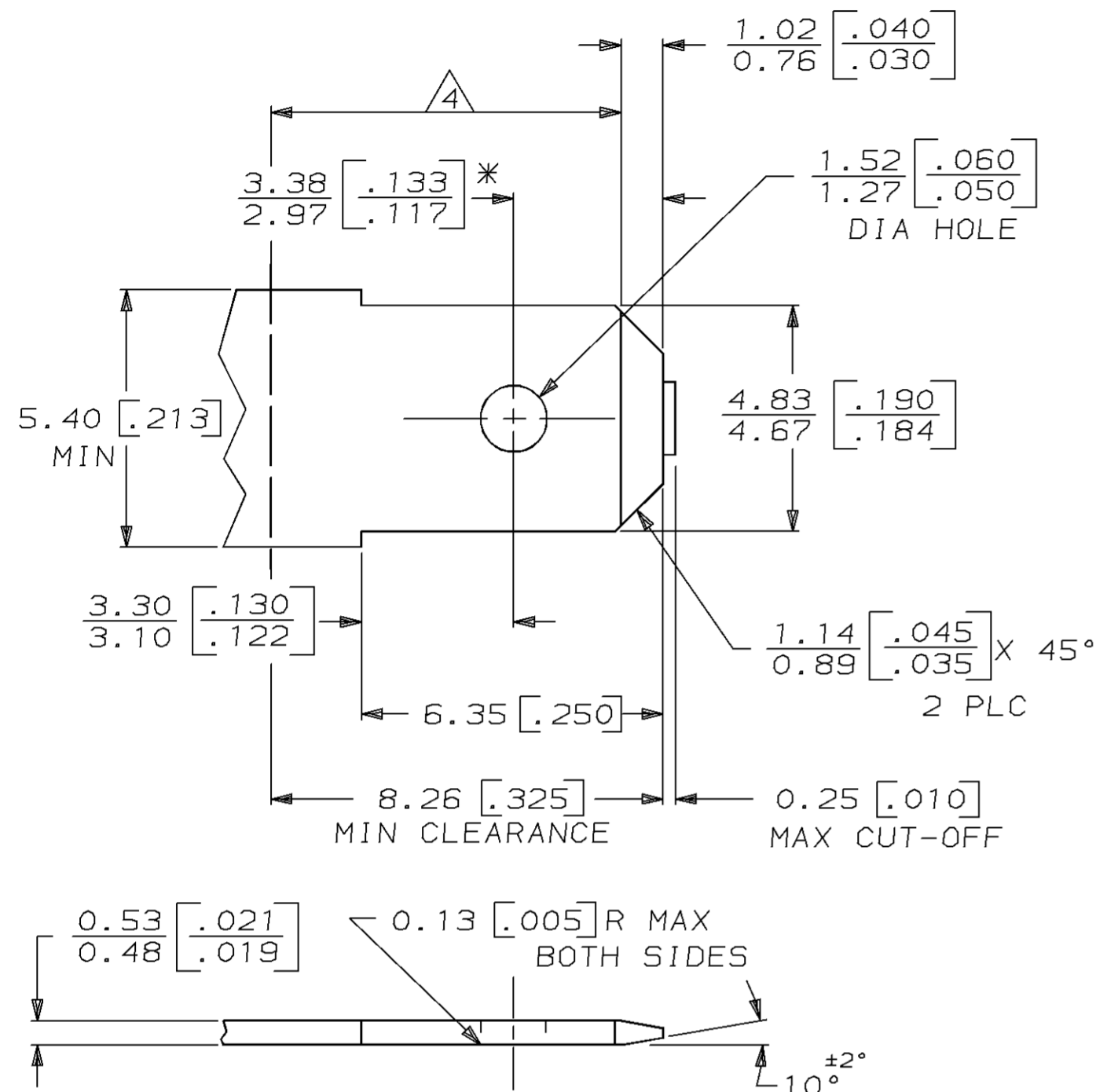
Email & Skype: info@chipsmall.com Web: www.chipsmall.com

Address: A1208, Overseas Decoration Building, #122 Zhenhua RD., Futian, Shenzhen, China

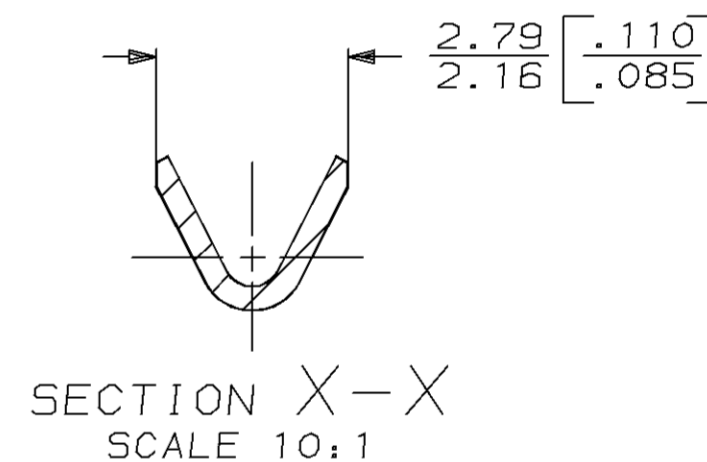


LOC		DIST		REVISIONS			
P	F	ZONE	LTR	DESCRIPTION	DATE	APPD	
AF	50		M	OBS -1 PER 0L10-0056-96	8/26/96	JR/JG	

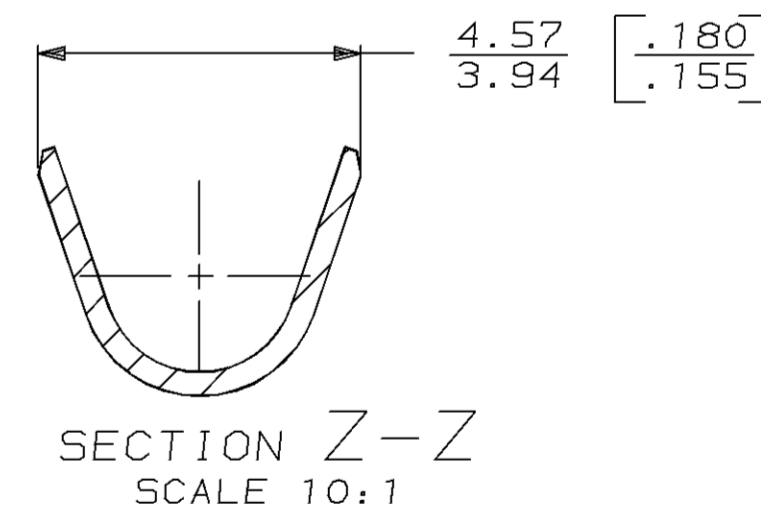
SUGGESTED MATING TAB



VIEW Y-Y
SCALE 10:1



SECTION X-X
SCALE 10:1



SECTION Z-Z
SCALE 10:1

- MATL: #2 HARD BRASS OR NICKEL PLATE STEEL.
 - NO BURRS PERMISSIBLE AT HOLE.
 - TIN PLATING IS REQUIRED ON BRASS WHEN TERMINAL TEMPERATURE IS OVER 225°F.
 - MUST BE FLAT WITHIN 0.076 [.003] OVER THIS LENGTH.
 - HOLE MUST BE SYMMETRICAL ABOUT TAB ϕ WITHIN 0.076 [.003].
- * TO BE USED ONLY WHEN SHOULDER IS ELIMINATED.

OBsolete	PRE-TIN	1.52-2.79 [.060-.110] DIA	0.2-0.5mm ² [24-20] AWG	63407-2
	TIN 0.002032 [.000080] MIN			63407-1
	FINISH	INSULATION RANGE	WIRE SIZE	PART NO
	DO NOT SCALE PRINT. UNLESS SPECIFIED DIMENSIONS IN mm [INCHES] TOLERANCES ON : 2 PLC DEC ± 0.25 [.010] 3 PLC DEC ± - ANGLES ± -	DR 1/24/91 JR RUTH CHK 1/24/91 MS FEHER APPD 1/24/91 J GILLESPIE	AMP Incorporated Harrisburg, PA 17105-3608 NAME RECEPTACLE, POSITIVE-LOCK, 4.75 [.187] SERIES	
	MATERIAL #6H BRASS	APPD 1/24/91 D REINER PRODUCT SPEC -		
	FINISH SEE TABLE	APPLICATION SPEC -	SIZE C 00779	DRAWING NO 63407
		WEIGHT -	SCALE 4:1	SHEET 1 OF 1

