



Chipsmall Limited consists of a professional team with an average of over 10 year of expertise in the distribution of electronic components. Based in Hongkong, we have already established firm and mutual-benefit business relationships with customers from,Europe,America and south Asia,supplying obsolete and hard-to-find components to meet their specific needs.

With the principle of “Quality Parts,Customers Priority,Honest Operation,and Considerate Service”,our business mainly focus on the distribution of electronic components. Line cards we deal with include Microchip,ALPS,ROHM,Xilinx,Pulse,ON,Everlight and Freescale. Main products comprise IC,Modules,Potentiometer,IC Socket,Relay,Connector.Our parts cover such applications as commercial,industrial, and automotives areas.

We are looking forward to setting up business relationship with you and hope to provide you with the best service and solution. Let us make a better world for our industry!



## Contact us

Tel: +86-755-8981 8866 Fax: +86-755-8427 6832

Email & Skype: info@chipsmall.com Web: www.chipsmall.com

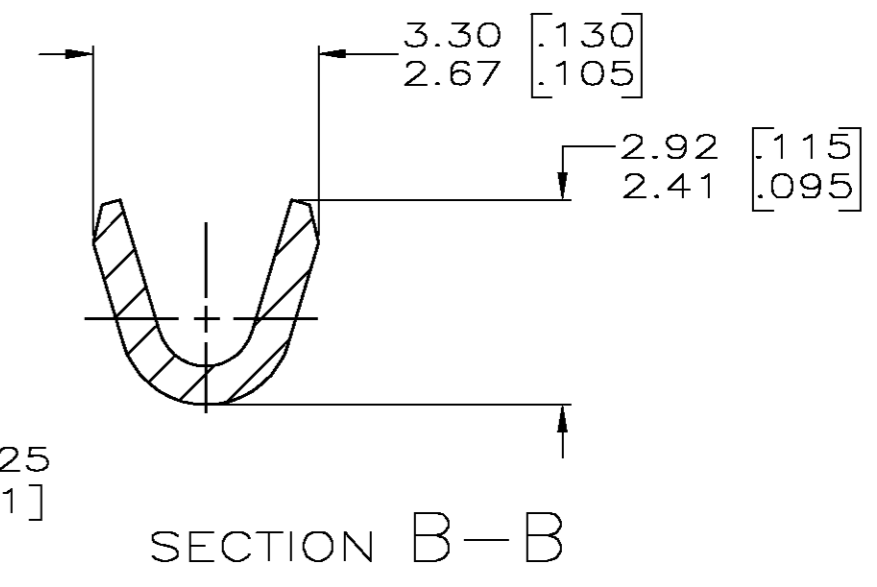
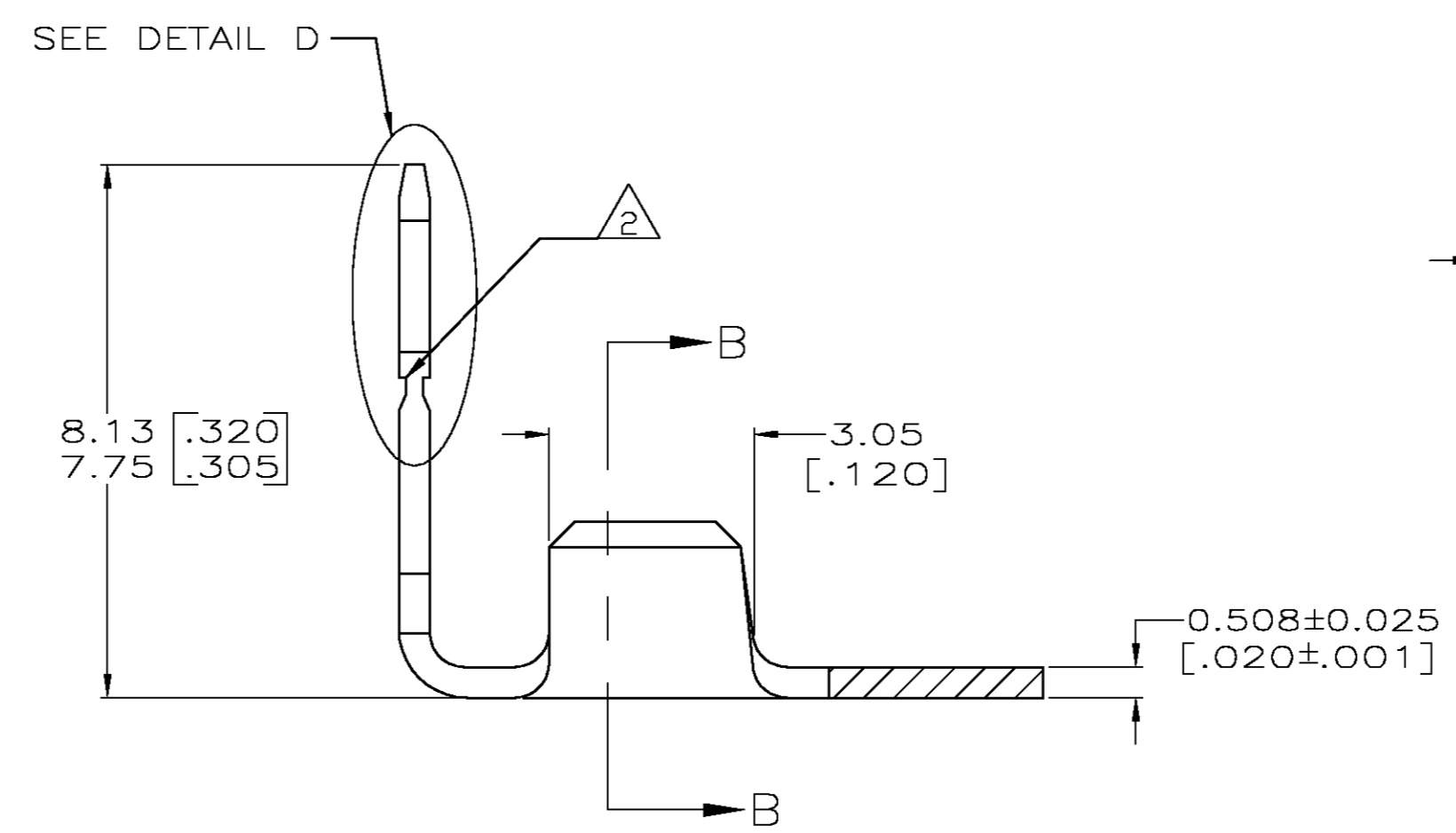
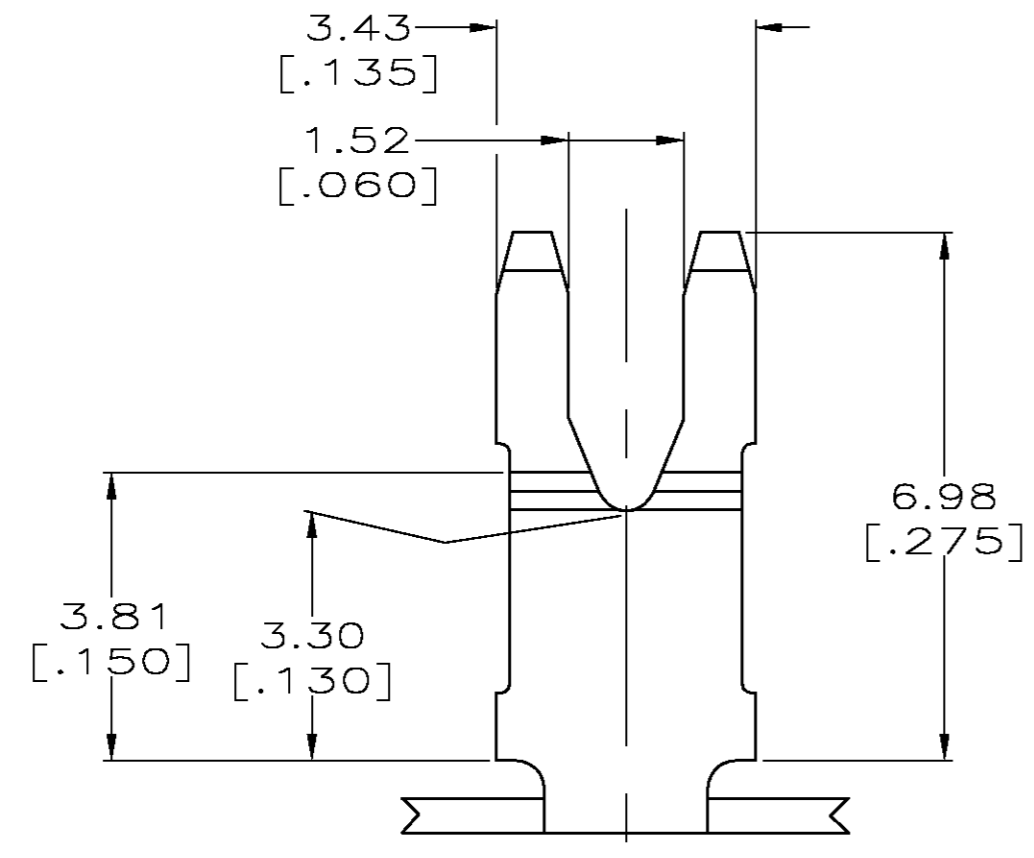
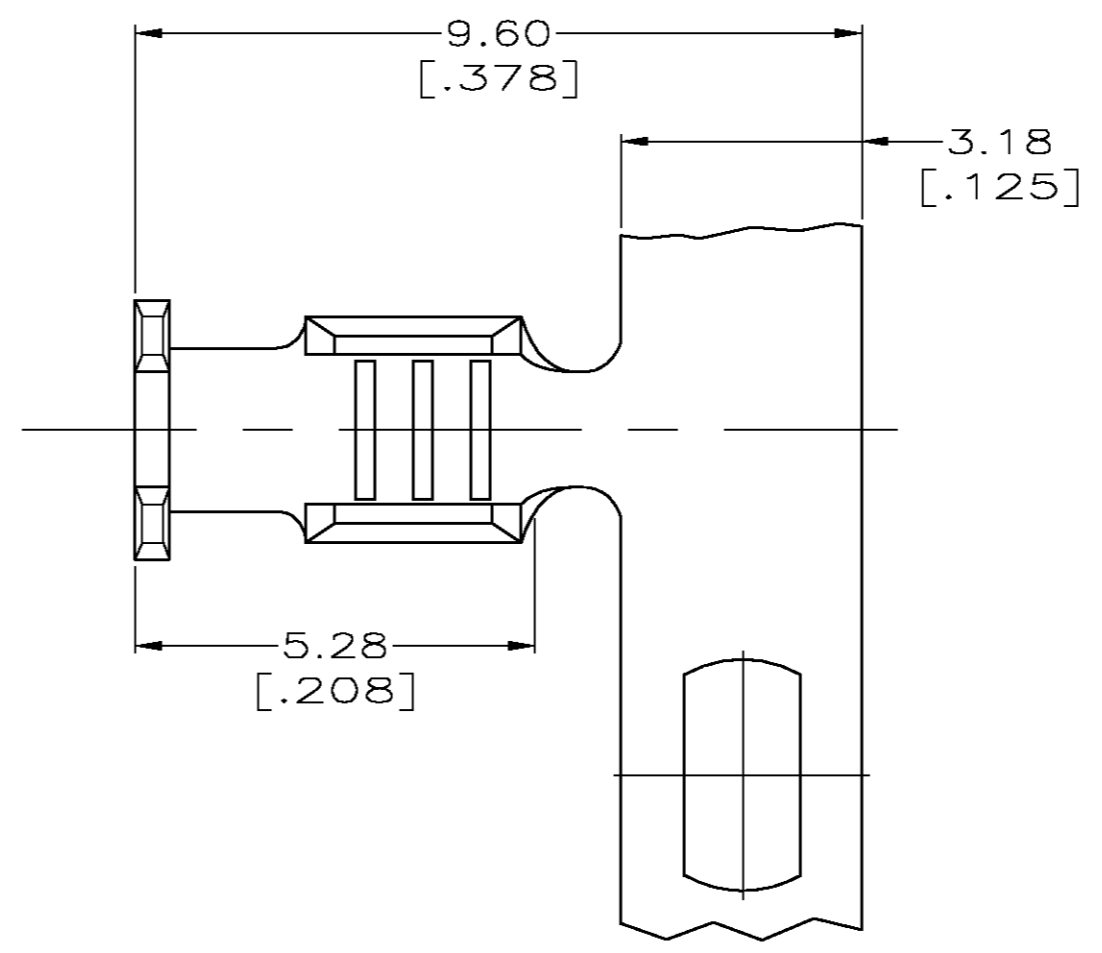
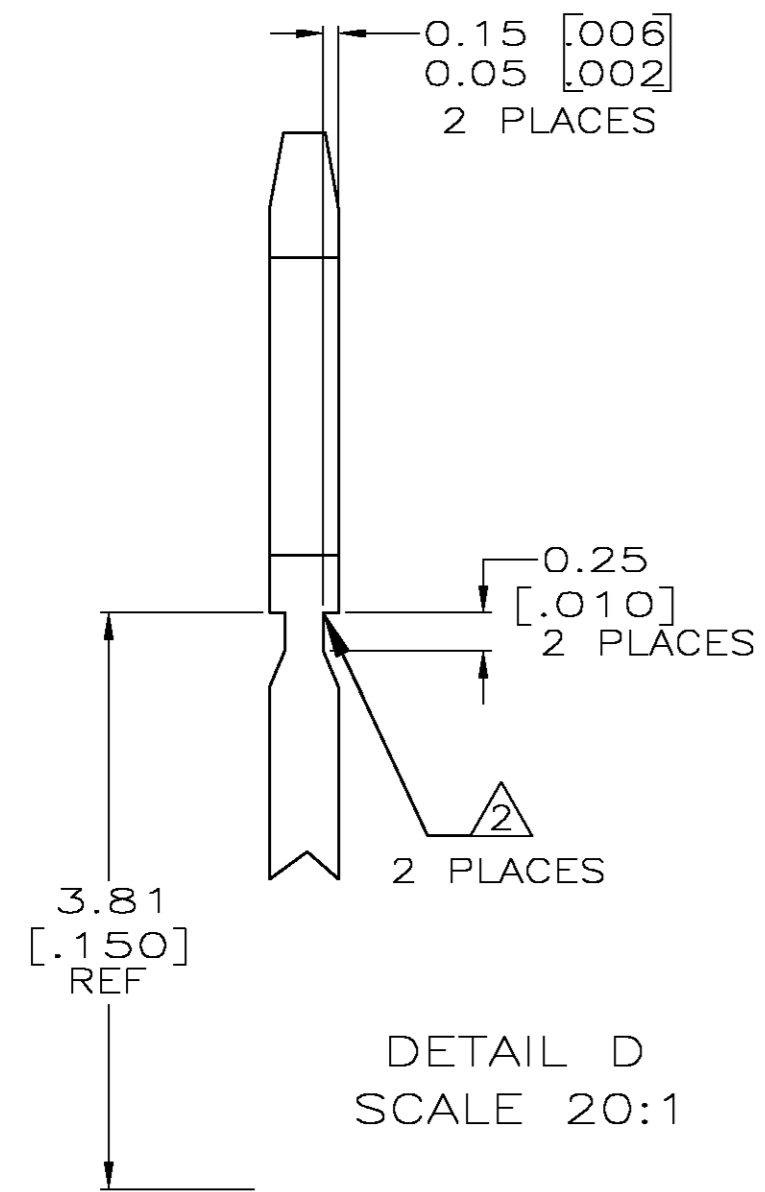
Address: A1208, Overseas Decoration Building, #122 Zhenhua RD., Futian, Shenzhen, China



THIS DRAWING IS UNPUBLISHED. RELEASED FOR PUBLICATION  
 © COPYRIGHT BY TYCO ELECTRONICS CORPORATION. ALL RIGHTS RESERVED.

| LOC |     | DIST        |                          | REVISIONS |      |    |  |
|-----|-----|-------------|--------------------------|-----------|------|----|--|
| P   | LTR | DESCRIPTION | DATE                     | DWN       | APVD |    |  |
| AF  | 50  | G           | REVISED PER 0G3A-0750-02 | 18DEC02   | MF   | KR |  |

1 CONTINUOUS STRIP ON REELS WITH TERMINALS LOCATED ON  $9.14 \pm 0.08$  [.360 ± .003] CENTERS.  
 △ FOR OPTIMUM RETENTION FORCE IN POKE-IN TYPE MAG-MATE TERMINALS, ONE OF THE SERRATIONS AS SHOWN MUST BE ENGAGED WITH THE EDGE OF THE LEAF.



|                                     |             |
|-------------------------------------|-------------|
| 0.3-0.8mm <sup>2</sup> [#22-18 AWG] | 63410-1     |
| WIRE RANGE                          | PART NUMBER |

|  |               |                  |                    |                   |   |
|--|---------------|------------------|--------------------|-------------------|---|
| THIS DRAWING IS A CONTROLLED DOCUMENT. |               | DWN              | JR RUTH            | 15NOV01           | <br>Tyco Electronics Corporation<br>Harrisburg, PA 17105-3608 |
| DIMENSIONS: MM                         |               | CHK              | MICHAEL S. FEHER   | 15NOV01           |   |
| TOLERANCES UNLESS OTHERWISE SPECIFIED: |               | APVD             | KURT A. RANDOLPH   | 15NOV01           | NAME  |
| 0 PLC                                  | ± -           | PRODUCT SPEC     | 108-22055          |                   | TAB, POKE-IN, MAG-MATE™                                       |
| 1 PLC                                  | ± -           | APPLICATION SPEC | 114-2050           |                   |   |
| 2 PLC                                  | ± 0.25 [.010] |                  |                    |                   |   |
| 3 PLC                                  | ± -           |                  |                    |                   |   |
| 4 PLC                                  | ± -           |                  |                    |                   |   |
| ANGLES                                 | ± -           |                  |                    |                   |   |
| MATERIAL                               | 082 BRASS     | FINISH           | 0.000381 [.000015] | MIN PRE-TIN PLATE | SIZE  |
|  |               | WEIGHT           | -                  |                   | A2  |
|  |               | CUSTOMER DRAWING |                    |                   | CAGE CODE   |
|  |               |                  |                    |                   | 00779   |
|  |               |                  |                    |                   | DRAWING NO  |
|  |               |                  |                    |                   | C=63410   |
|  |               |                  |                    |                   | RESTRICTED TO   |
|  |               |                  |                    |                   | -   |
|  |               |                  |                    |                   | SCALE   |
|  |               |                  |                    |                   | 10:1  |
|  |               |                  |                    |                   | SHEET   |
|  |               |                  |                    |                   | 1 OF 1  |
|  |               |                  |                    |                   | REV   |
|  |               |                  |                    |                   | G   |