



Chipsmall Limited consists of a professional team with an average of over 10 year of expertise in the distribution of electronic components. Based in Hongkong, we have already established firm and mutual-benefit business relationships with customers from,Europe,America and south Asia,supplying obsolete and hard-to-find components to meet their specific needs.

With the principle of “Quality Parts,Customers Priority,Honest Operation,and Considerate Service”,our business mainly focus on the distribution of electronic components. Line cards we deal with include Microchip,ALPS,ROHM,Xilinx,Pulse,ON,Everlight and Freescale. Main products comprise IC,Modules,Potentiometer,IC Socket,Relay,Connector.Our parts cover such applications as commercial,industrial, and automotives areas.

We are looking forward to setting up business relationship with you and hope to provide you with the best service and solution. Let us make a better world for our industry!



Contact us

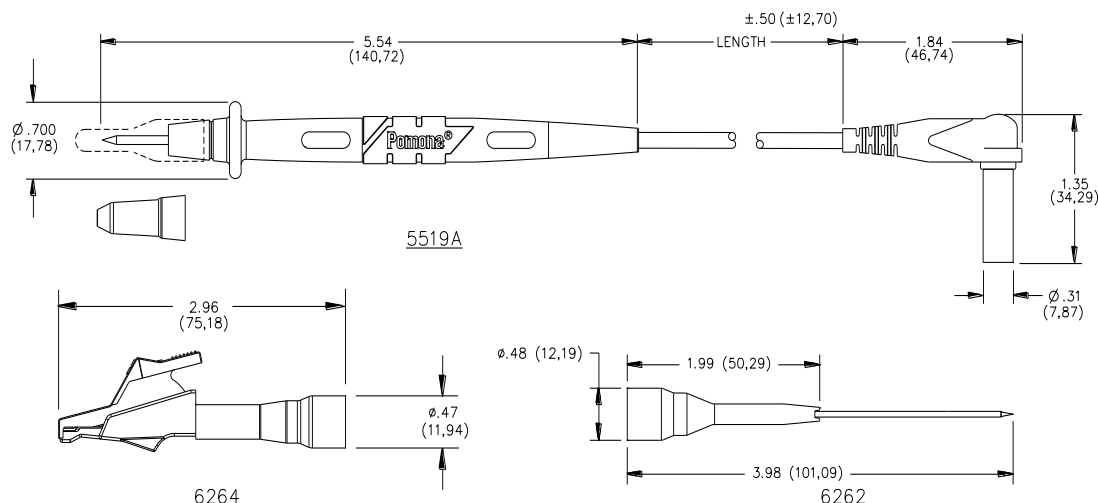
Tel: +86-755-8981 8866 Fax: +86-755-8427 6832

Email & Skype: info@chipsmall.com Web: www.chipsmall.com

Address: A1208, Overseas Decoration Building, #122 Zhenhua RD., Futian, Shenzhen, China

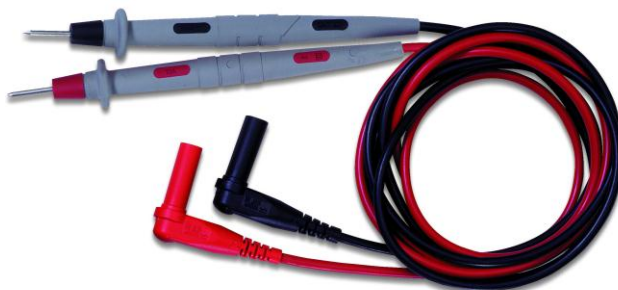


Model 6343 Basic Electronic Test Lead Kit



FEATURES:

- Test accessories comply with IEC 61010-031.
- Test probes with a right-angle banana plug are ideal for use with hand held digital multimeter.
- Extended slide on tip adapter fits directly over probe, allowing testing of hard to reach test points.
- Wear indication with double insulated (dual extruded) silicone leads shows white inner layer for increased safety.
- Compatible with most Fluke, H.P., Tektronic & Wavetek digital multimeters.



MATERIALS:

Model 5519A: Replacement Probes with Test Leads for Sheathed Style DMM's: Probe Body: Outer Insulation - Santoprene® Rubber, Color: Gray, Inner Insulation - Polypropylene, Fire Retardant Color: One Black, One Red, Tip: Nickel plated brass, Wire: 18 AWG, 192 x 41 bare copper, Silicone Insulation, O.D. 0.144" (3,66mm), Length: 48" (122cm), Banana Plug: Body - Brass, Nickel Plated, Spring - Beryllium Copper, Nickel Plated, Insulation - PVC, Color: One Black, One Red. **RATINGS:** IEC 61010-031, CAT III 1000 V (with protective cap), CAT II 1000 V (without protective cap). Current: 10 Amperes.

Model 6264: Alligator Clip Adapter, Body - Steel, Nickel Plated, Insulation - Polypropylene Spring: Music Wire, **RATINGS:** IEC 61010-031, Category II, 300 VRMS/DC, Current: 5 Amperes.

Model 6262: Extended Tip Adapter, Body: Polypropylene, Tip: Stainless Steel, Insulation: Kynar. **RATINGS:** IEC 61010-031, Category II, 300 VRMS/DC, Current: 3 Amperes.

ORDERING INFORMATION: Model 6343 (Includes a kit of items from above)

Replacement P/N's:

- Model **6264:** Probe Adapter Alligator Tip
- Model **6262:** Probe Adapter Extended Fine Tip
- Model **5519A:** Probe to Right Angle DMM Plug

USA: Sales: 800-490-2361
Technical Support: technicalsupport@pomonatest.com
Fax: 425-446-5844

Europe: 31-(0) 40 2675 150 **International:** 425-446-5500

Where to Buy: www.pomonaelectronics.com

All dimensions are in inches. Tolerances (except noted): .xx = $\pm .02$ " (.51 mm), .xxx = $\pm .005$ " (.127 mm). All specifications are to the latest revisions. Specifications are subject to change without notice. Registered trademarks are the property of their respective companies.