



Chipsmall Limited consists of a professional team with an average of over 10 year of expertise in the distribution of electronic components. Based in Hongkong, we have already established firm and mutual-benefit business relationships with customers from,Europe,America and south Asia,supplying obsolete and hard-to-find components to meet their specific needs.

With the principle of "Quality Parts,Customers Priority,Honest Operation,and Considerate Service",our business mainly focus on the distribution of electronic components. Line cards we deal with include Microchip,ALPS,ROHM,Xilinx,Pulse,ON,Everlight and Freescale. Main products comprise IC,Modules,Potentiometer,IC Socket,Relay,Connector.Our parts cover such applications as commercial,industrial, and automotives areas.

We are looking forward to setting up business relationship with you and hope to provide you with the best service and solution. Let us make a better world for our industry!



Contact us

Tel: +86-755-8981 8866 Fax: +86-755-8427 6832

Email & Skype: info@chipsmall.com Web: www.chipsmall.com

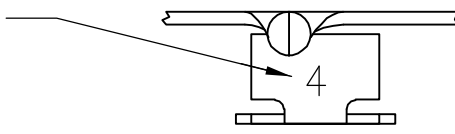
Address: A1208, Overseas Decoration Building, #122 Zhenhua RD., Futian, Shenzhen, China



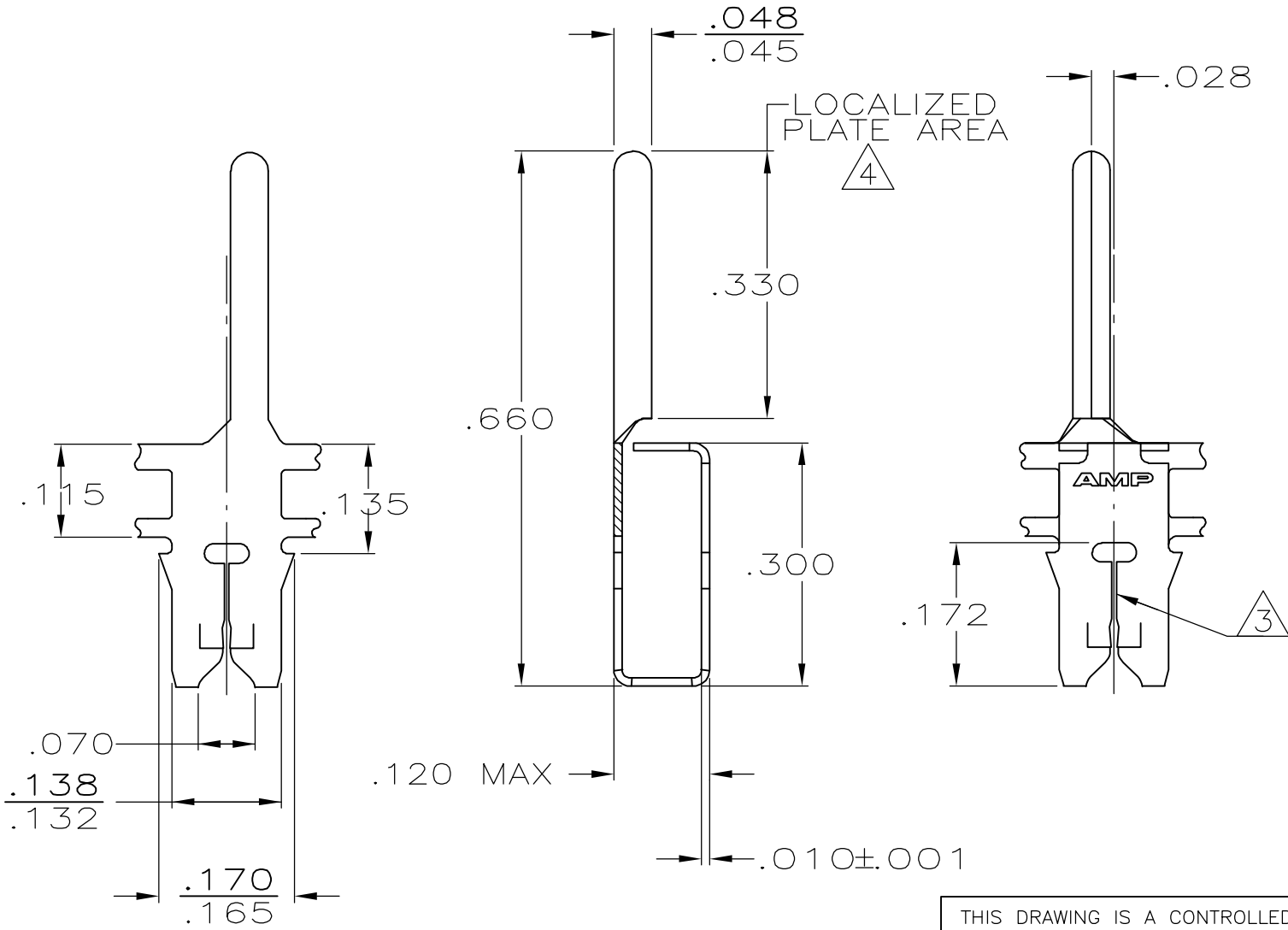
THIS DRAWING IS UNPUBLISHED. RELEASED FOR PUBLICATION
 © COPYRIGHT BY TYCO ELECTRONICS CORPORATION. ALL RIGHTS RESERVED.

LOC	DIST	REVISIONS			
P	LTR	DESCRIPTION	DATE	DWN	APVD
AF	50	F	REV PER ECR 05-010705	03NOV05	JR KR

IDENTIFICATION NUMBER 4 FOR
MAGNET WIRE RANGE



- ① MAG-MATE CAVITY SPECIFICATION.
- ② CONTINUOUS STRIP ON REELS WITH TERMINALS LOCATED ON $.220 \pm .003$ CENTERS.
- ③ SLOT TERMINATES EITHER SINGLE OR DOUBLE MAGNET WIRES OF THE SAME TYPE AND SIZE, COPPER RANGE IS #33-#31 AWG.
- ④ $.000080 / .000250$ TIN PLATE.
- ⑤ PRELIMINARY - NOT FOR PRODUCTION.



REVERSE	⑤ 63444-2
STANDARD	63444-1
REELING	PART NO.

THIS DRAWING IS A CONTROLLED DOCUMENT.		DWN MS FEHER 10/25/88	Tyco Electronics Corporation Harrisburg, PA 17105-3608	
DIMENSIONS: INCHES		CHK JR RUTH 10/25/88		
TOLERANCES UNLESS OTHERWISE SPECIFIED:		APVD TL SHUTTER 10/25/88	NAME	
0 PLC ± - 1 PLC ± - 2 PLC ± - 3 PLC ± .006 4 PLC ± - ANGLES ± -		PRODUCT SPEC	PIN, .048 DIA, (LEFT HAND), MAG-MATE	
MATERIAL H04 BRASS		FINISH ④	APPLICATION SPEC 114-2046 ①	RESTRICTED TO
		WEIGHT -	SIZE A3	CAGE CODE 00779
		CUSTOMER DRAWING	DRAWING NO C-63444	RESTRICTED TO -
		SCALE 5:1	SHEET 1 OF 1	REV F