



Chipsmall Limited consists of a professional team with an average of over 10 year of expertise in the distribution of electronic components. Based in Hongkong, we have already established firm and mutual-benefit business relationships with customers from,Europe,America and south Asia,supplying obsolete and hard-to-find components to meet their specific needs.

With the principle of “Quality Parts,Customers Priority,Honest Operation,and Considerate Service”,our business mainly focus on the distribution of electronic components. Line cards we deal with include Microchip,ALPS,ROHM,Xilinx,Pulse,ON,Everlight and Freescale. Main products comprise IC,Modules,Potentiometer,IC Socket,Relay,Connector.Our parts cover such applications as commercial,industrial, and automotives areas.

We are looking forward to setting up business relationship with you and hope to provide you with the best service and solution. Let us make a better world for our industry!



Contact us

Tel: +86-755-8981 8866 Fax: +86-755-8427 6832

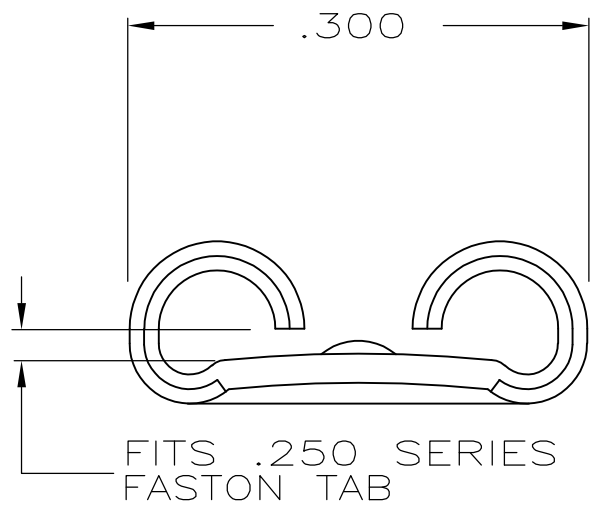
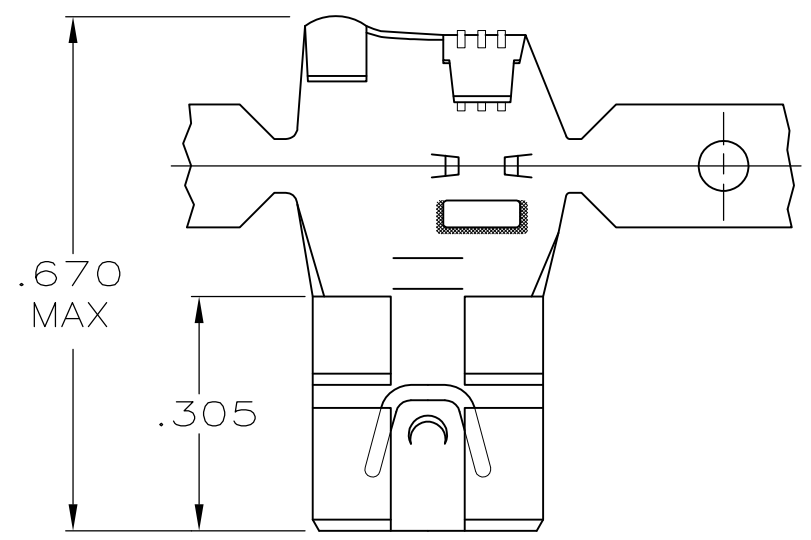
Email & Skype: info@chipsmall.com Web: www.chipsmall.com

Address: A1208, Overseas Decoration Building, #122 Zhenhua RD., Futian, Shenzhen, China

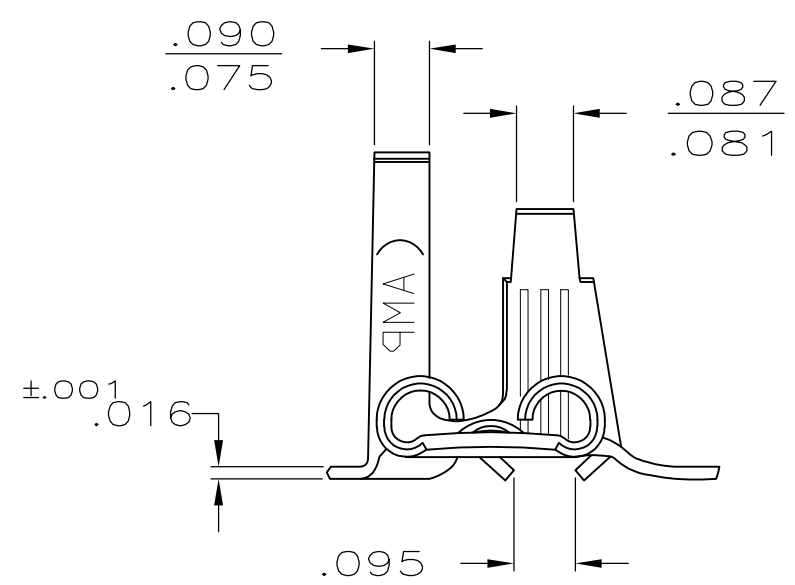


THIS DRAWING IS UNPUBLISHED. RELEASED FOR PUBLICATION
 © COPYRIGHT - By - ALL RIGHTS RESERVED.

LOC	DIST	REVISIONS			
P	LTR	DESCRIPTION	DATE	DWN	APVD
AF	50	R	REVISED PER ECR-12-013518	23NOV2012	KH PD



- 1 CONTINUOUS STRIP ON REELS.
- 2 STRESS RELIEVE THIS PART
- 3 THIS PART MUST MATE TO A TAB WITH A HOLE, NOT A DIMPLE.



VIEW A-A

FINISH	INSULATION RANGE	WIRE SIZE	MATING TAB THK ±.001	PART NO
-	.110-.210	18-12	.032	63445-5
TIN	.110-.210	18-12	.032	63445-4
SILVER	.110-.210	18-12	.032	63445-3
TIN	.110-.210	18-12	.032	63445-2
-	.110-.210	18-12	.032	63445-1

OBSOLETE

THIS DRAWING IS A CONTROLLED DOCUMENT.		DWN JR RUTH 7/10/86	TE Connectivity		
DIMENSIONS: INCHES		CHK G YETTER 7/11/86			
TOLERANCES UNLESS OTHERWISE SPECIFIED:		APVD C MEYERS 7/11/86	NAME .250 SERIES FLAG FASTON RECEPTACLE		
0 PLC ± - 1 PLC ± - 2 PLC ± - 3 PLC ± .010 4 PLC ± - ANGLES ± -		PRODUCT SPEC -	RESTRICTED TO -		
MATERIAL BRASS		FINISH -	APPLICATION SPEC -	SIZE A3	CAGE CODE 00779
CUSTOMER DRAWING			DRAWING NO C-63445	SCALE 4:1	SHEET 1 OF 1
			WEIGHT -	REV R	