



Chipsmall Limited consists of a professional team with an average of over 10 year of expertise in the distribution of electronic components. Based in Hongkong, we have already established firm and mutual-benefit business relationships with customers from,Europe,America and south Asia,supplying obsolete and hard-to-find components to meet their specific needs.

With the principle of “Quality Parts,Customers Priority,Honest Operation,and Considerate Service”,our business mainly focus on the distribution of electronic components. Line cards we deal with include Microchip,ALPS,ROHM,Xilinx,Pulse,ON,Everlight and Freescale. Main products comprise IC,Modules,Potentiometer,IC Socket,Relay,Connector.Our parts cover such applications as commercial,industrial, and automotives areas.

We are looking forward to setting up business relationship with you and hope to provide you with the best service and solution. Let us make a better world for our industry!



Contact us

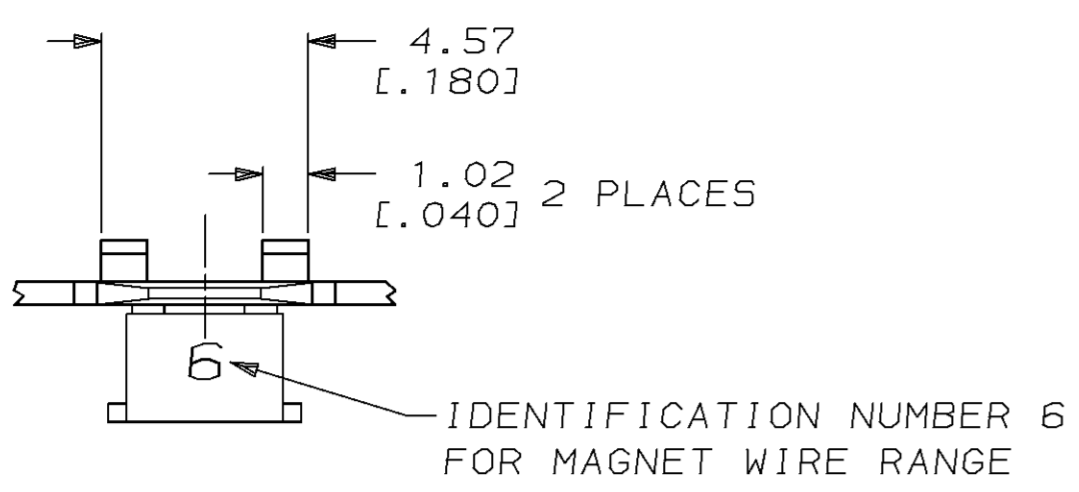
Tel: +86-755-8981 8866 Fax: +86-755-8427 6832

Email & Skype: info@chipsmall.com Web: www.chipsmall.com

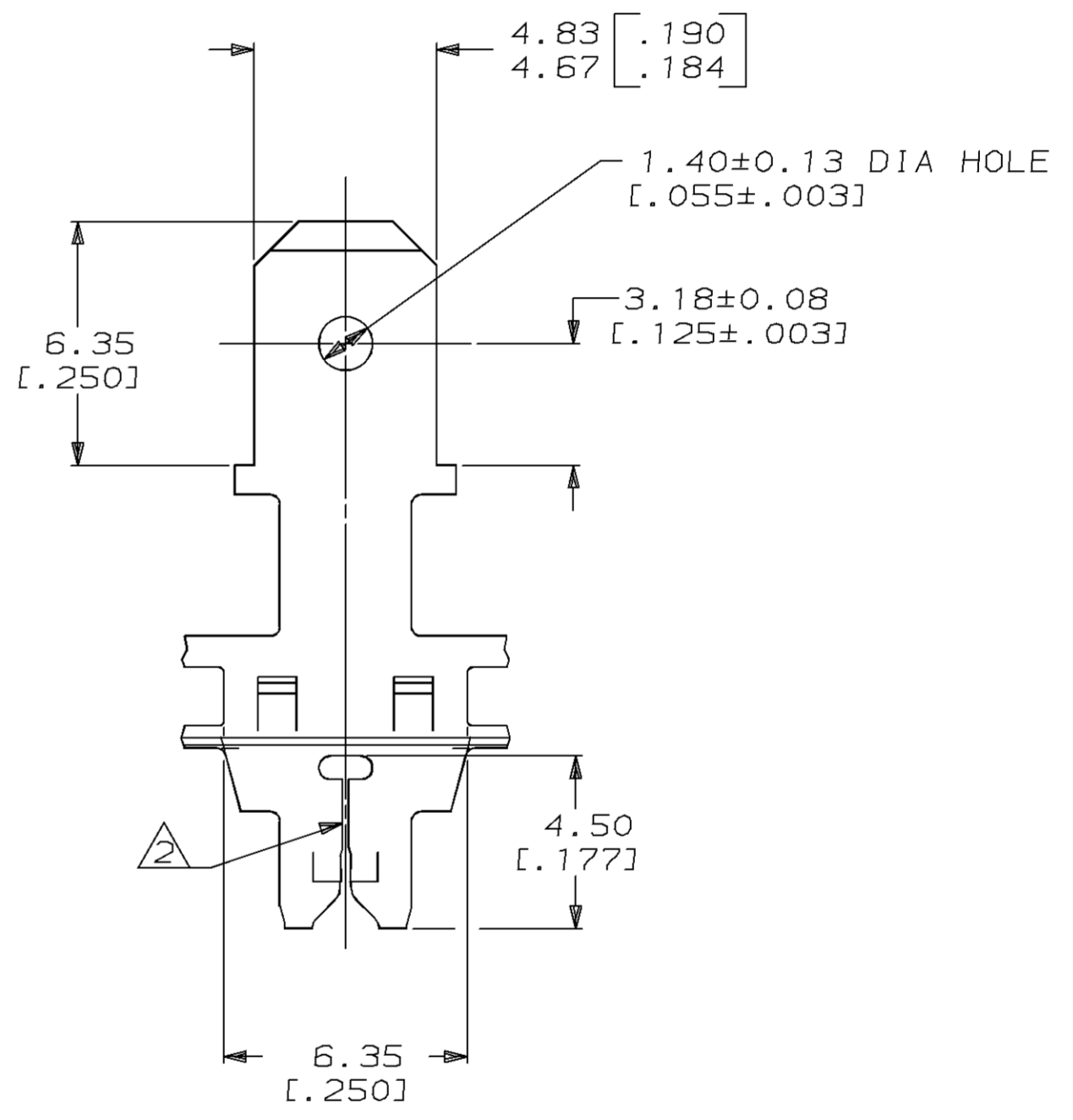
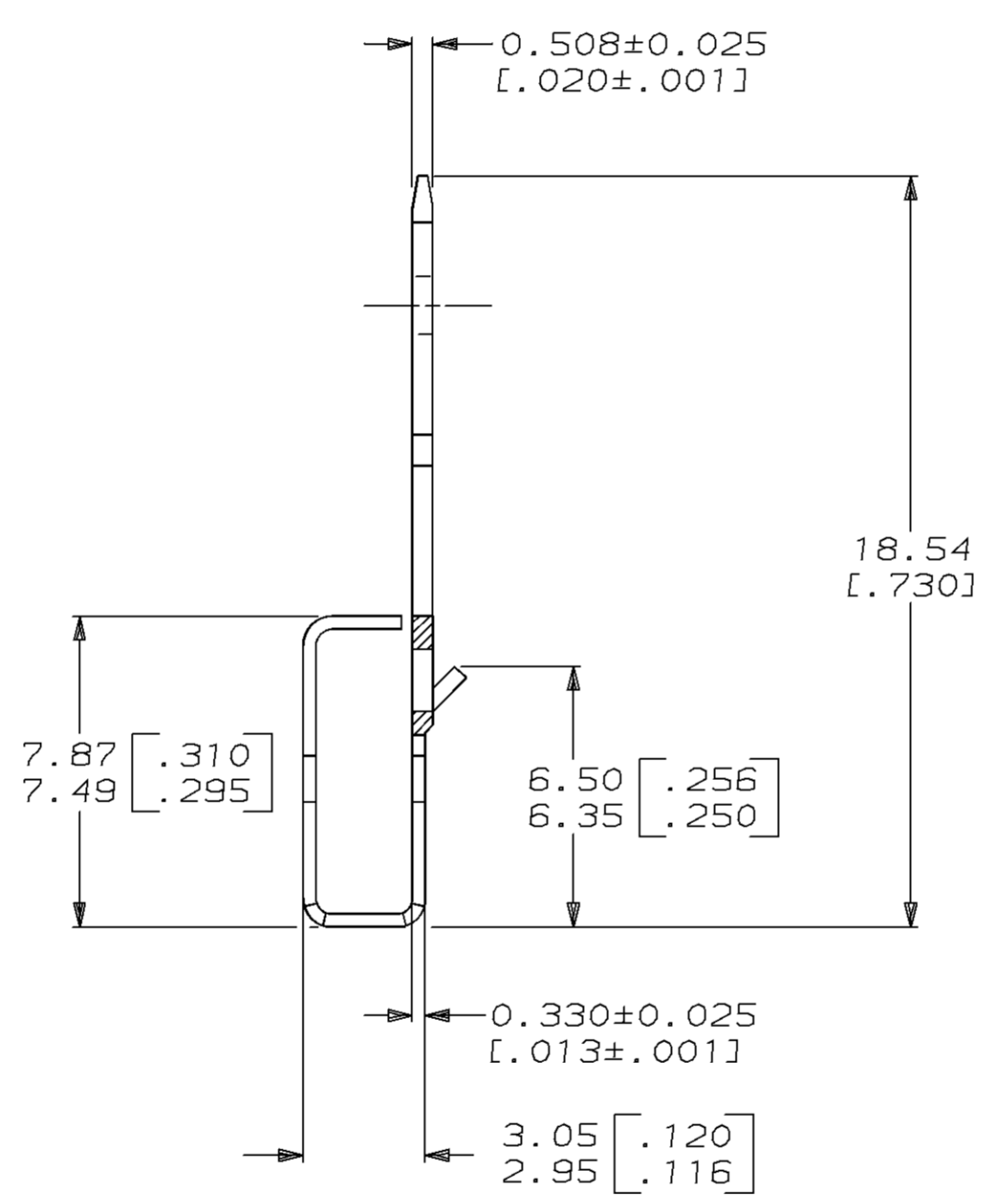
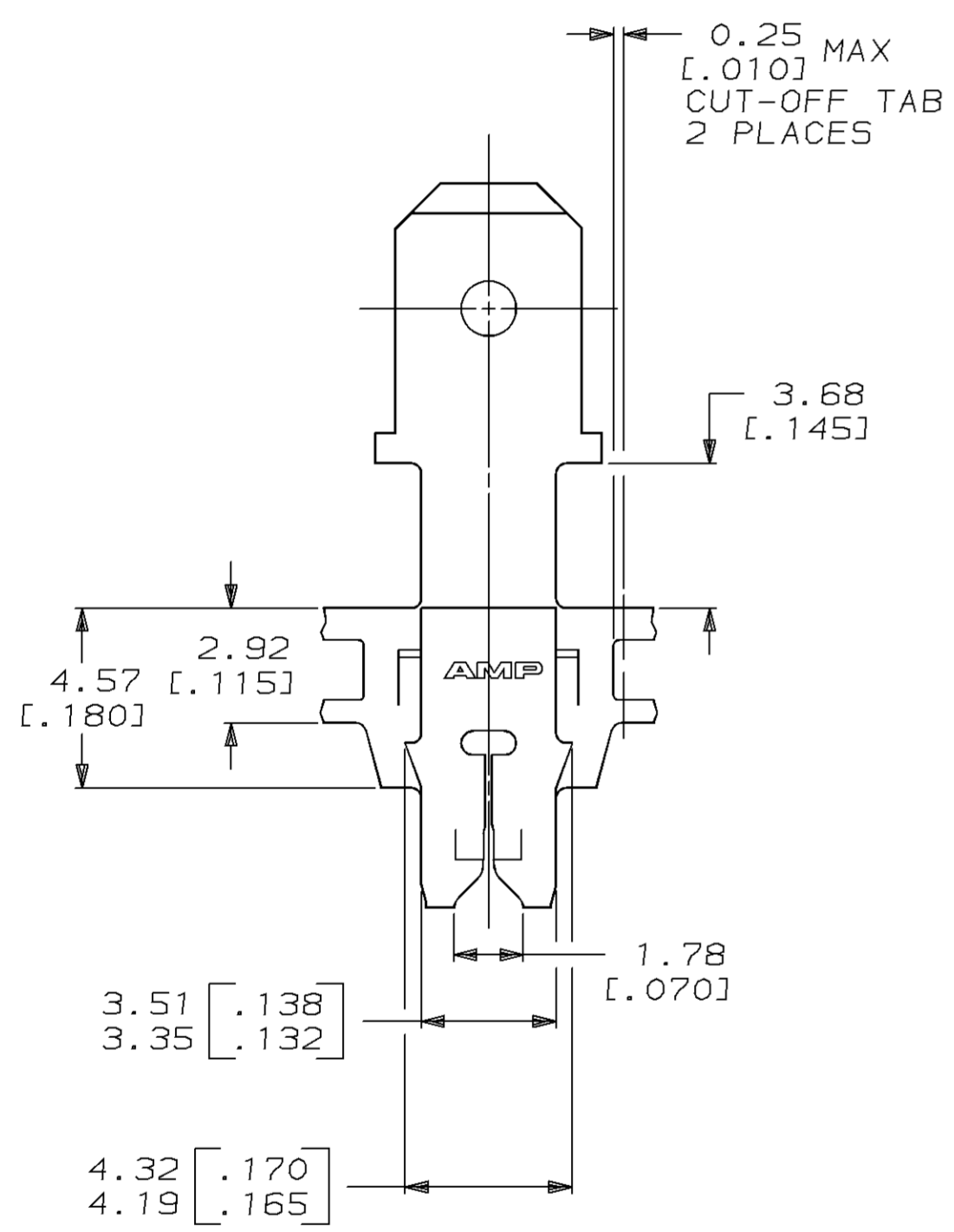
Address: A1208, Overseas Decoration Building, #122 Zhenhua RD., Futian, Shenzhen, China



LOC	DIST	P	F	ZONE	LTR	DESCRIPTION	DATE	APPD
AF	50				C	REVISED & REDRAWN PER 0710-0455-94	14/JAN/95	MF/NN



1 CONTINUOUS STRIP ON REELS WITH TERMINALS LOCATED ON 8.38±0.08 [.330±.003] CENTERS.
 2 SLOT ACCEPTS 0.25-0.36mm [#30-#27] AWG COPPER MAGNET WIRE.
 2 WIRES OF THE SAME SIZE MAX PER SLOT.



63447-1

PART NO

DO NOT SCALE PRINT. UNLESS SPECIFIED DIMENSIONS IN mm [INCHES] TOLERANCES ON : 2 PLC DEC ± 0.25 [.010] 3 PLC DEC ± - ANGLES ± -	DR 14/JAN/95 MICHAEL S. FEHER CHK 16/JAN/95 PHILLIP M. FORTNEY APPD 16/JAN/95 NELSON E. NEFF APPD 16/JAN/95 TERRY L. SHUTTER	NAME
MATERIAL 4M PRE-MILLED BRASS	PRODUCT SPEC 108-2012	TAB, 4.75 [.187] FASTON™ MAG-MATE™
FINISH 0.002032 [.000080] MIN TIN PER MIL-T-10727	APPLICATION SPEC 114-2094	SIZE CAGE CODE DRAWING NO C 00779 C=63447
	WEIGHT -	SCALE 6:1 SHEET 1 OF 1

THIS DRAWING IS A CONTROLLED DOCUMENT FOR AMP INCORPORATED. IT IS SUBJECT TO CHANGE AND THE CONTROLLING ENGINEERING ORGANIZATION SHOULD BE CONTACTED FOR THE LATEST REVISION.