



Chipsmall Limited consists of a professional team with an average of over 10 year of expertise in the distribution of electronic components. Based in Hongkong, we have already established firm and mutual-benefit business relationships with customers from,Europe,America and south Asia,supplying obsolete and hard-to-find components to meet their specific needs.

With the principle of “Quality Parts,Customers Priority,Honest Operation,and Considerate Service”,our business mainly focus on the distribution of electronic components. Line cards we deal with include Microchip,ALPS,ROHM,Xilinx,Pulse,ON,Everlight and Freescale. Main products comprise IC,Modules,Potentiometer,IC Socket,Relay,Connector.Our parts cover such applications as commercial,industrial, and automotives areas.

We are looking forward to setting up business relationship with you and hope to provide you with the best service and solution. Let us make a better world for our industry!



Contact us

Tel: +86-755-8981 8866 Fax: +86-755-8427 6832

Email & Skype: info@chipsmall.com Web: www.chipsmall.com

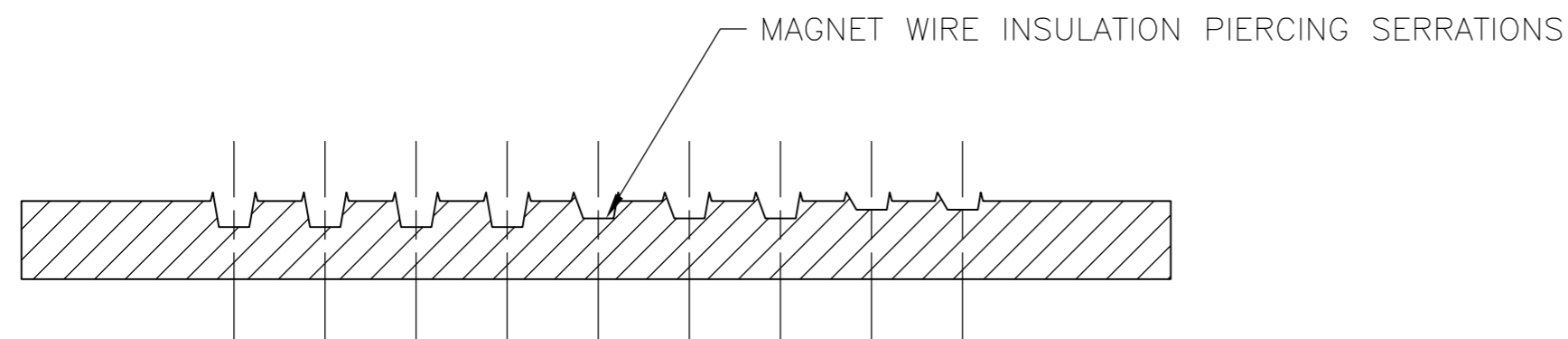
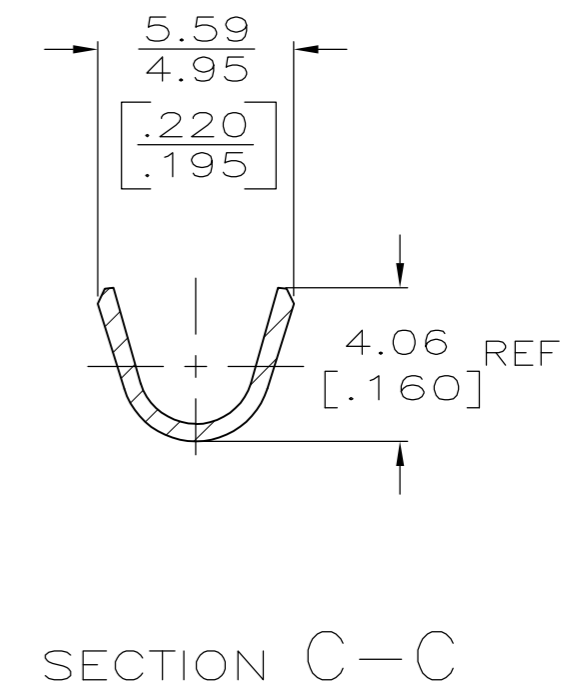
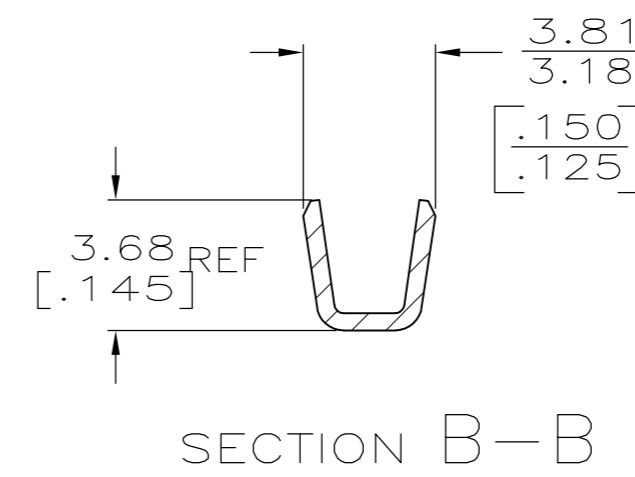
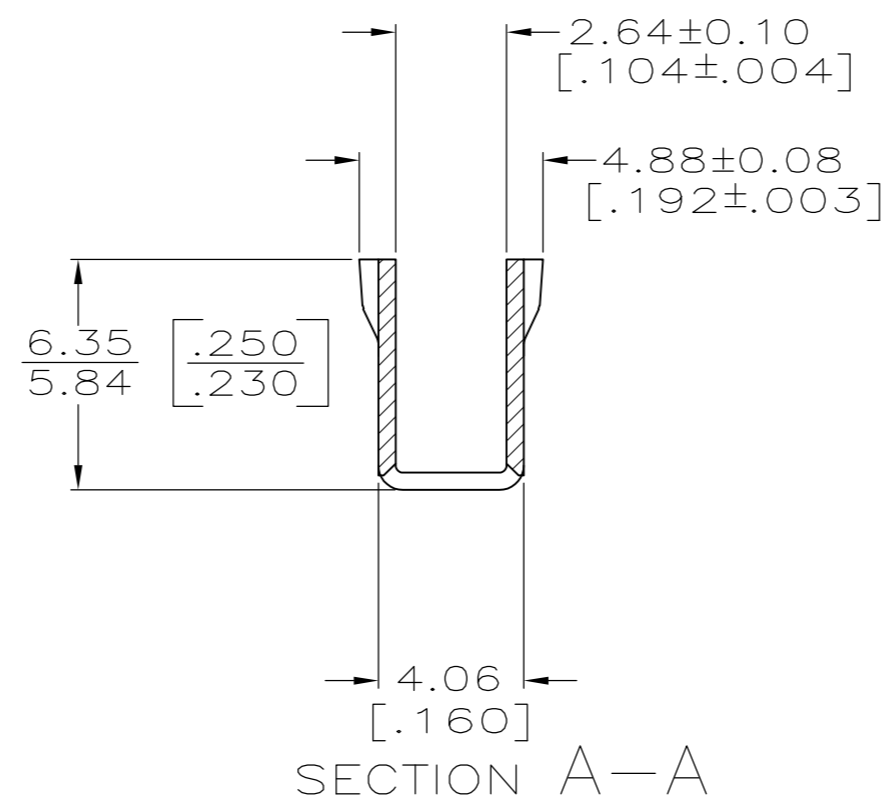
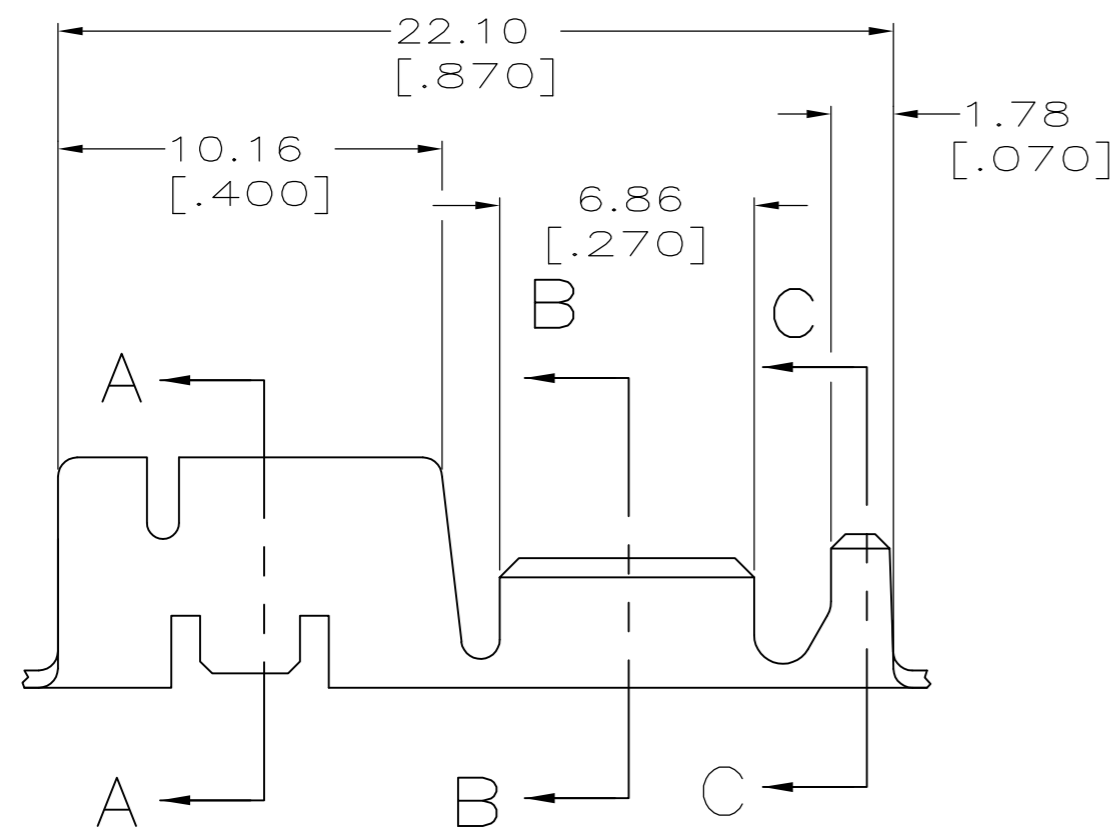
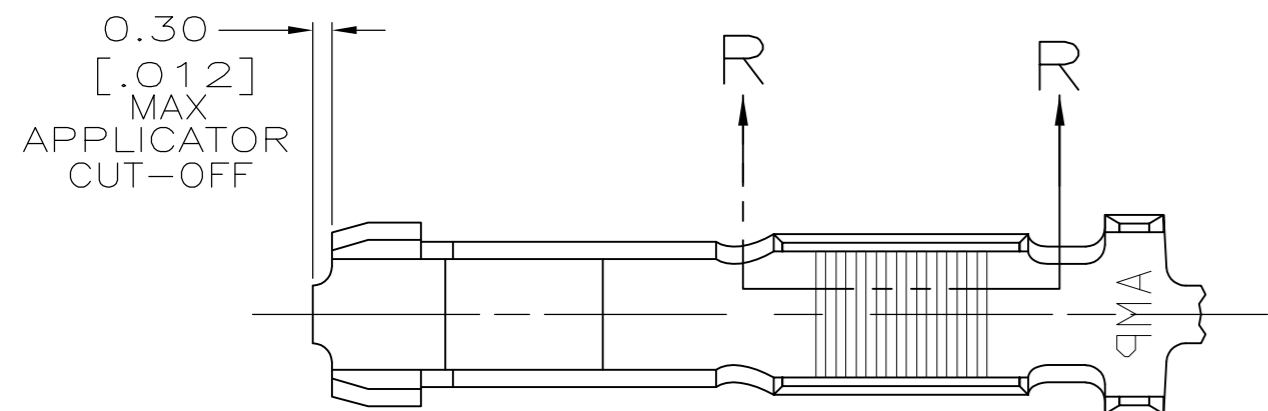
Address: A1208, Overseas Decoration Building, #122 Zhenhua RD., Futian, Shenzhen, China



THIS DRAWING IS UNPUBLISHED. RELEASED FOR PUBLICATION
 © COPYRIGHT - By - ALL RIGHTS RESERVED.

LOC	DIST	REVISIONS			
P	LTR	DESCRIPTION	DATE	DWN	APVD
AF	52	M2	REVISED PER ECR-13-005683	04APR13	KH GJ

- CONTINUOUS STRIP ON REELS WITH TERMINALS LOCATED ON 23.75 [.935] CENTERS.
- STANDARD RETENTION TYPE



1.90-3.18 DIA [.075-.125]	1500-4200 CMA	63454-1
INSULATION RANGE	WIRE RANGE	PART NUMBER

THIS DRAWING IS A CONTROLLED DOCUMENT.		DWN MS FEHER 11/12/87					
DIMENSIONS: mm [INCHES]		CHK G YETTER 11/17/87					
TOLERANCES UNLESS OTHERWISE SPECIFIED:		APVD J SWARTZ 11/17/87					
0 PLC ± - 1 PLC ± - 2 PLC ± 0.25 [.010] 3 PLC ± - 4 PLC ± - ANGLES ± -		NAME RECEPTACLE, CLUSTER PIN, AMPLIVAR, 3.18 [.125] DIA					
MATERIAL 0.51[.020] #3 HARD PHOSPHOR BRONZE		FINISH POST TIN	WEIGHT -	SIZE A2	CAGE CODE 00779	DRAWING NO C-63454	RESTRICTED TO -
		CUSTOMER DRAWING		SCALE 5:1	SHEET 1 of 1	REV M2	