



Chipsmall Limited consists of a professional team with an average of over 10 year of expertise in the distribution of electronic components. Based in Hongkong, we have already established firm and mutual-benefit business relationships with customers from,Europe,America and south Asia,supplying obsolete and hard-to-find components to meet their specific needs.

With the principle of “Quality Parts,Customers Priority,Honest Operation,and Considerate Service”,our business mainly focus on the distribution of electronic components. Line cards we deal with include Microchip,ALPS,ROHM,Xilinx,Pulse,ON,Everlight and Freescale. Main products comprise IC,Modules,Potentiometer,IC Socket,Relay,Connector.Our parts cover such applications as commercial,industrial, and automotives areas.

We are looking forward to setting up business relationship with you and hope to provide you with the best service and solution. Let us make a better world for our industry!



## Contact us

Tel: +86-755-8981 8866 Fax: +86-755-8427 6832

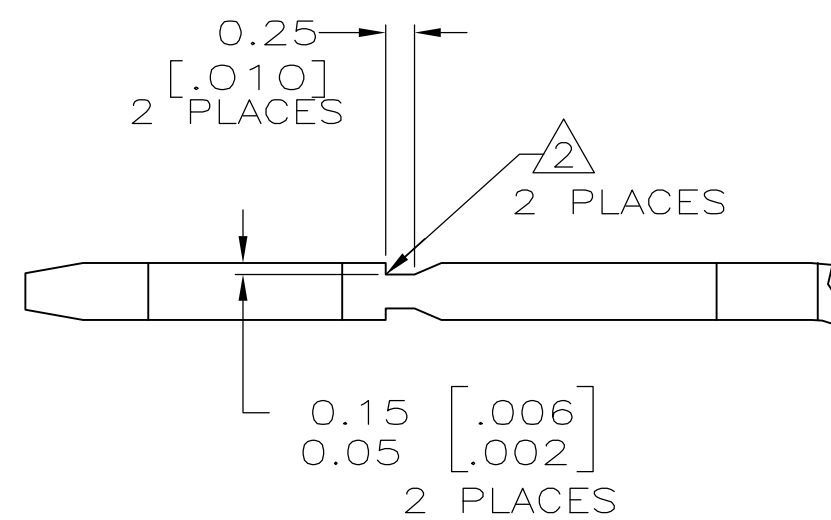
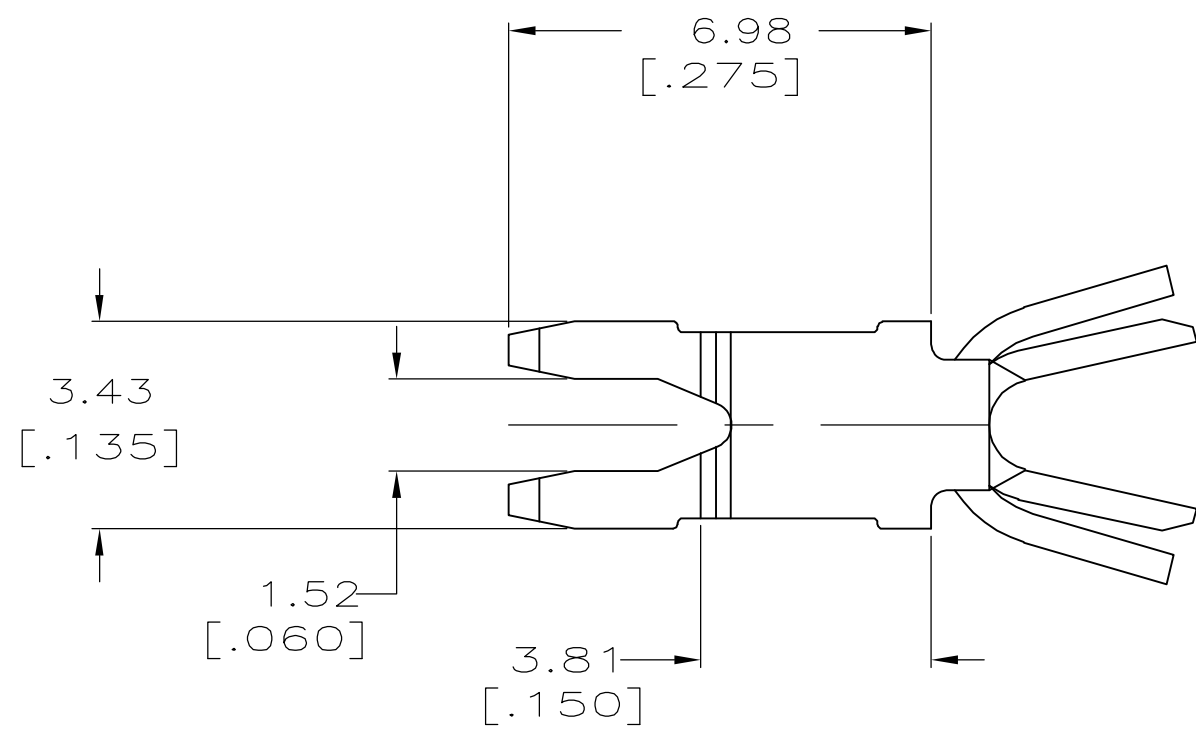
Email & Skype: info@chipsmall.com Web: www.chipsmall.com

Address: A1208, Overseas Decoration Building, #122 Zhenhua RD., Futian, Shenzhen, China



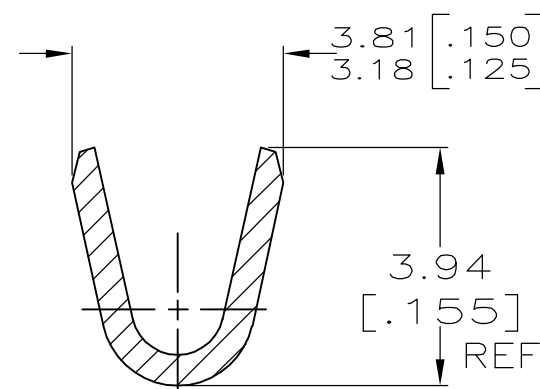
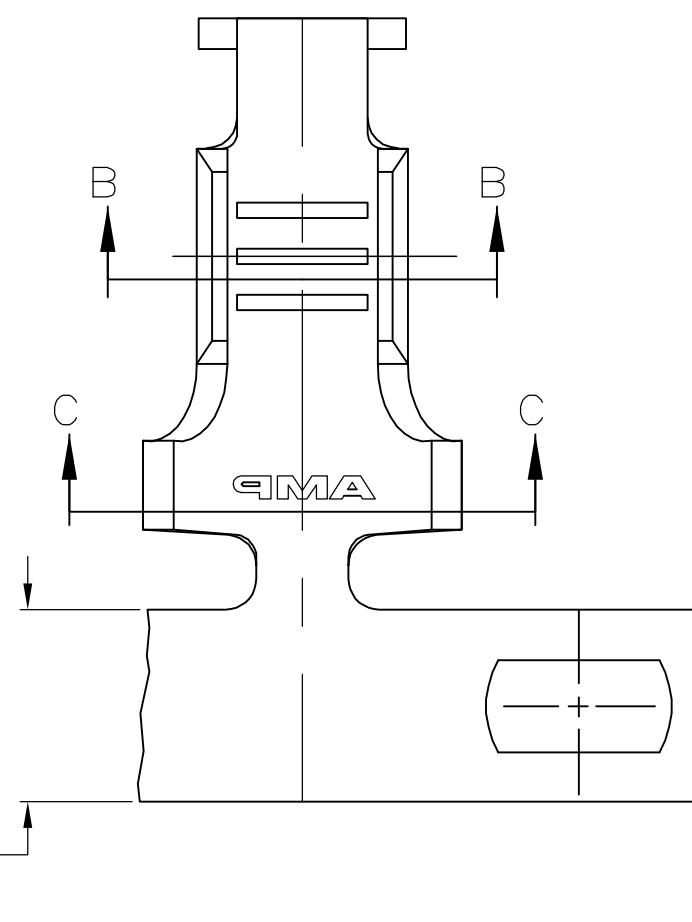
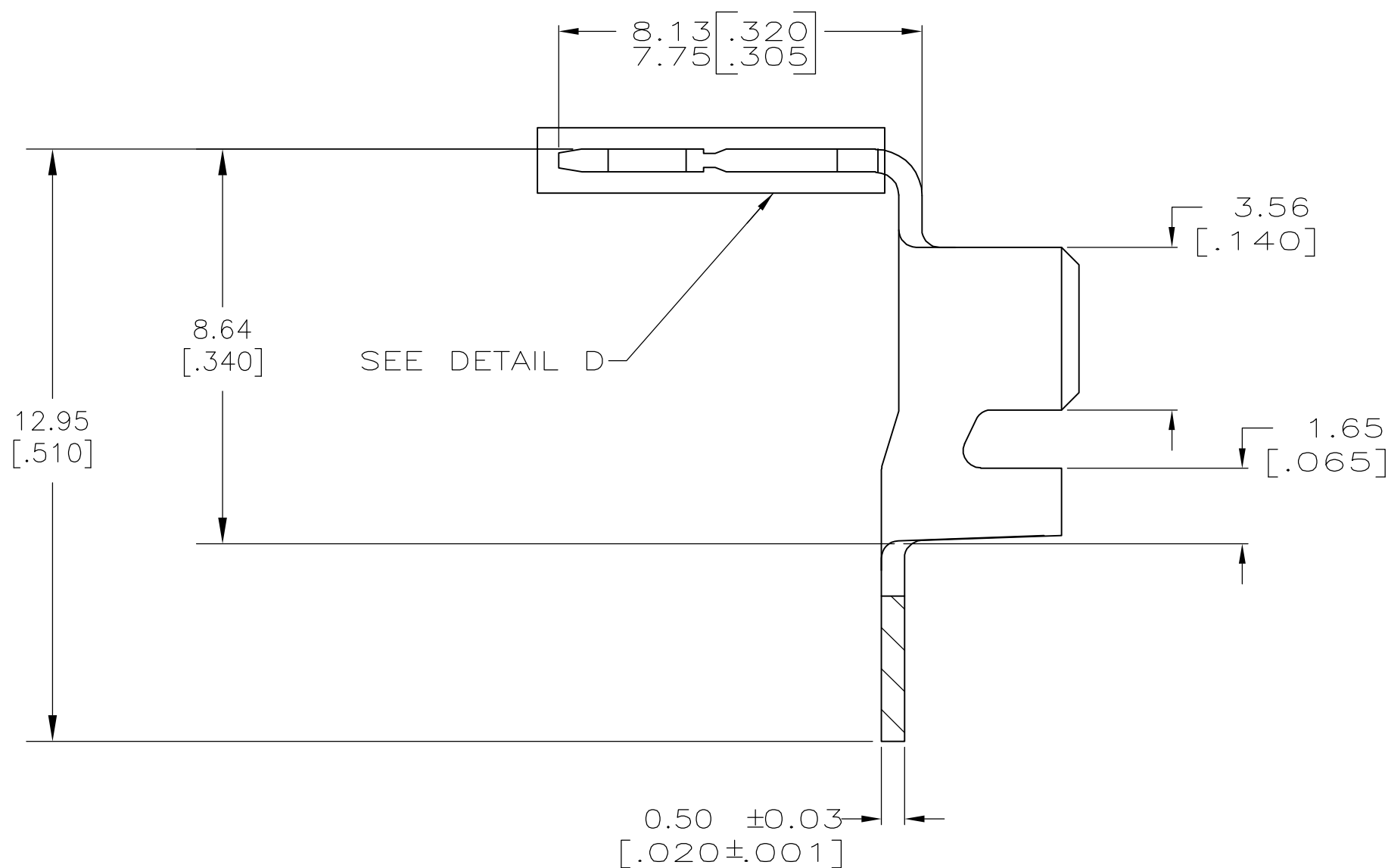
THIS DRAWING IS UNPUBLISHED. RELEASED FOR PUBLICATION  
 © COPYRIGHT BY TYCO ELECTRONICS CORPORATION. ALL RIGHTS RESERVED.

| LOC | DIST | REVISIONS   |                           |         |       |
|-----|------|-------------|---------------------------|---------|-------|
| P   | LTR  | DESCRIPTION | DATE                      | DWN     | APVD  |
| AF  | 50   | J1          | REVISED PER ECR-06-029896 | 03JAN07 | MF KR |

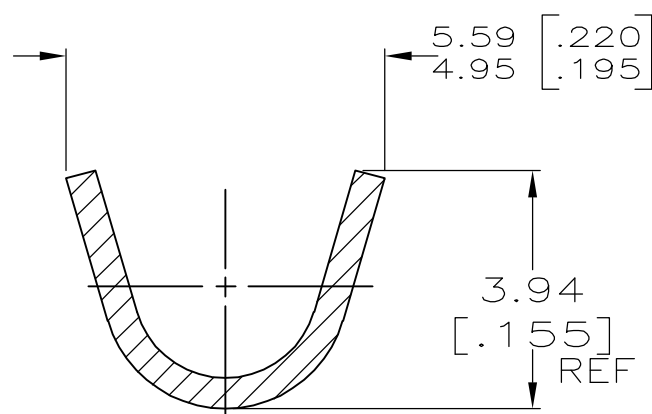


DETAIL D  
 SCALE 15:1

1 CONTINUOUS STRIP ON REELS WITH TERMINALS LOCATED ON 9.14±0.08 [.36±0.03] CENTERS  
 △ FOR OPTIMUM RETENTION IN POKE-IN TYPE MAG-MATE TERMINALS, THE SERRATION AS SHOWN MUST BE ENGAGED WITH THE EDGE OF THE LEAF



SECTION B-B



SECTION C-C

|  |   |   |   |                    |
|--|---|---|---|--------------------|
| OBSOLETE   | REVERSE   | #18-#14 AWG   | 2.29-3.56 DIA<br>[.090-.140]                              | 63458-2            |
|  | STANDARD  | #18-#14 AWG   | 2.29-3.56 DIA<br>[.090-.140]                              | 63458-1            |
|  | REELING   | WIRE RANGE  | INSULATION RANGE  | PART NUMBER        |
| THIS DRAWING IS A CONTROLLED DOCUMENT.   |   | DWN<br>MICHAEL S. FEHER<br>22DEC97<br>CHK<br>RICHARD GRZYBOWSKI<br>20JAN98<br>APVD<br>NELSON E. NEFF<br>21JAN98 | Tyco Electronics Corporation<br>Harrisburg, PA 17105-3608 |                    |
| DIMENSIONS:<br>INCHES  | TOLERANCES UNLESS OTHERWISE SPECIFIED:            | PRODUCT SPEC<br>108-22045   | NAME<br>TAB, POKE-IN,<br>MAG-MATE™                        |                    |
| 0 PLC ± -<br>1 PLC ± -<br>2 PLC ± 0.25[.010]<br>3 PLC ± -<br>4 PLC ± -<br>ANGLES ± - | FINISH<br>0.000381 [.000015]<br>MIN PRE-TIN PLATE | APPLICATION SPEC<br>114-2050  | SIZE<br>A2  | CAGE CODE<br>00779 |
| MATERIAL<br>082 BRASS  |   | WEIGHT<br>-   | DRAWING NO<br>C=63458                                     | RESTRICTED TO<br>- |
| CUSTOMER DRAWING   |   |   | SCALE<br>8:1  | SHEET<br>1 of 1    |
|  |   |   | REV<br>J1   |                    |