



Chipsmall Limited consists of a professional team with an average of over 10 year of expertise in the distribution of electronic components. Based in Hongkong, we have already established firm and mutual-benefit business relationships with customers from,Europe,America and south Asia,supplying obsolete and hard-to-find components to meet their specific needs.

With the principle of "Quality Parts,Customers Priority,Honest Operation,and Considerate Service",our business mainly focus on the distribution of electronic components. Line cards we deal with include Microchip,ALPS,ROHM,Xilinx,Pulse,ON,Everlight and Freescale. Main products comprise IC,Modules,Potentiometer,IC Socket,Relay,Connector.Our parts cover such applications as commercial,industrial, and automotives areas.

We are looking forward to setting up business relationship with you and hope to provide you with the best service and solution. Let us make a better world for our industry!



Contact us

Tel: +86-755-8981 8866 Fax: +86-755-8427 6832

Email & Skype: info@chipsmall.com Web: www.chipsmall.com

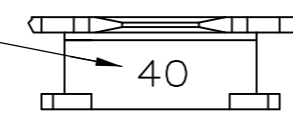
Address: A1208, Overseas Decoration Building, #122 Zhenhua RD., Futian, Shenzhen, China



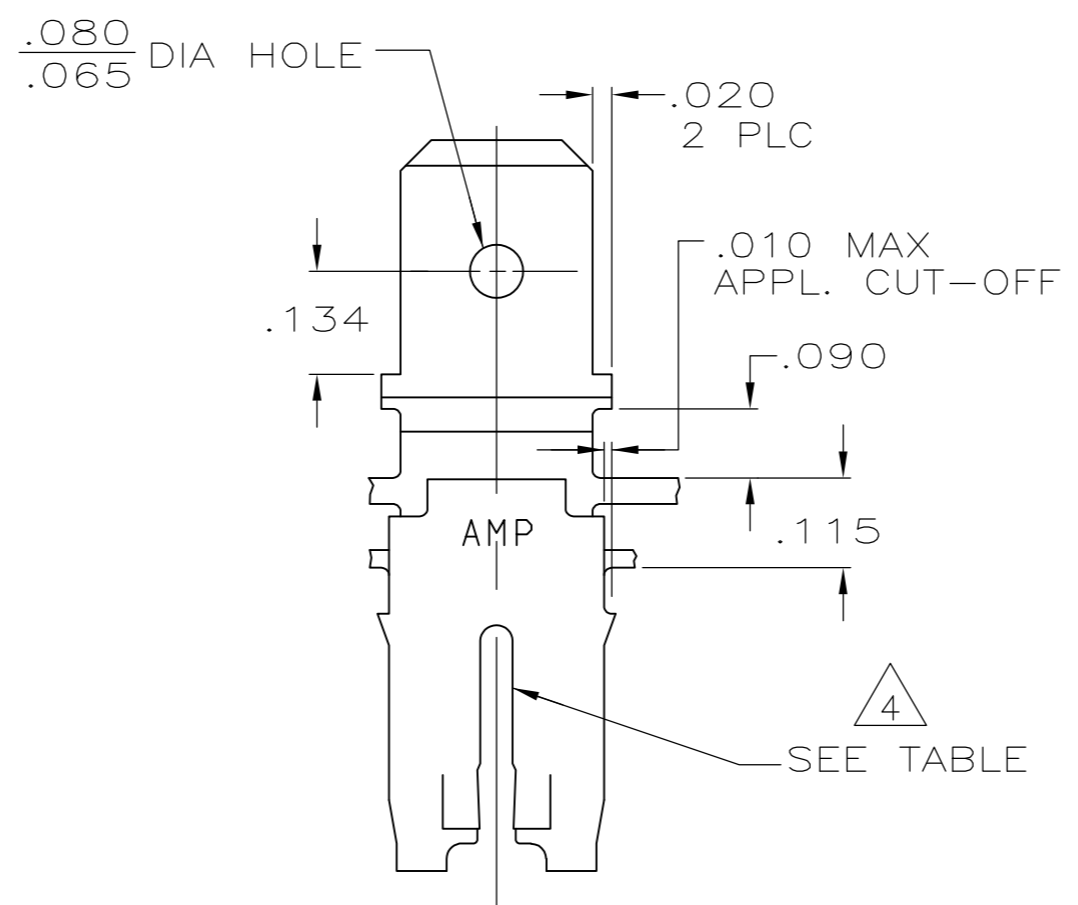
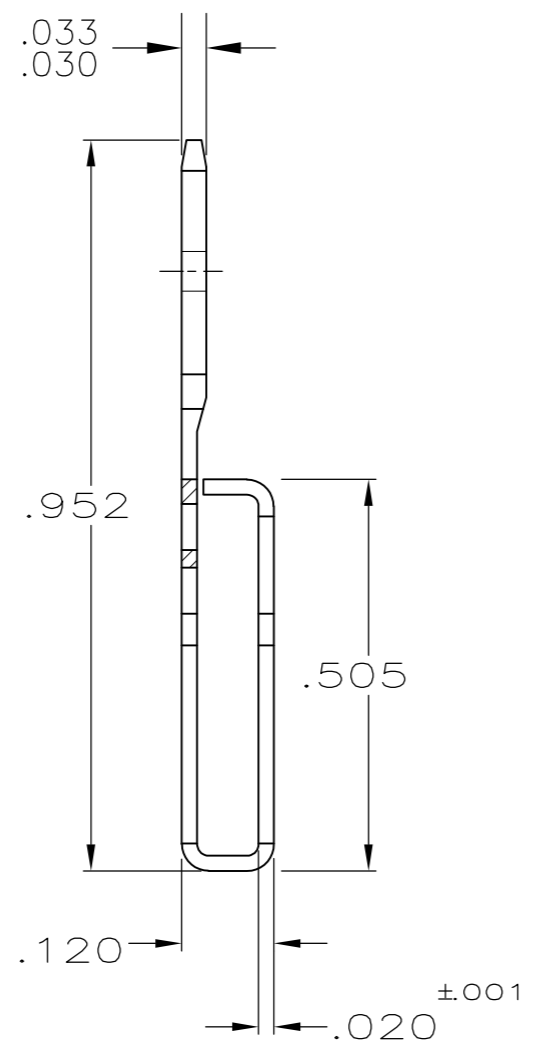
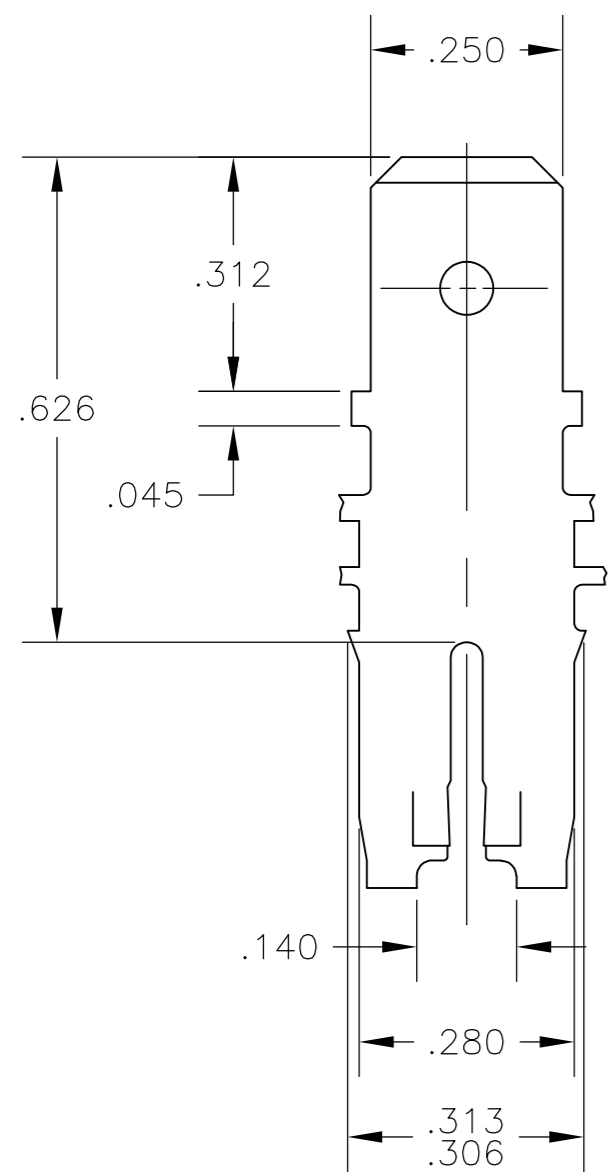
THIS DRAWING IS UNPUBLISHED. RELEASED FOR PUBLICATION
 © COPYRIGHT BY TYCO ELECTRONICS CORPORATION. ALL INTERNATIONAL RIGHTS RESERVED.

LOC	DIST	REVISIONS			
P	LTR	DESCRIPTION	DATE	DWN	APVD
AF	50	H2	REVISED PER ECR-08-005471	19MAR09	HMR KR

IDENTIFICATION NUMBER FOR MAGNET WIRE RANGE



- 1 FOR MAG-MATE CAVITY SPECIFICATION REFER TO APPLICATION SPEC #114-2066.
- 2 CONTINUOUS STRIP ON REELS WITH TERMINALS LOCATED ON .330 CENTERS.
- 3 AFTER INSERTION INTO PLASTIC HOLDER MAG-MATE MUST BE POTTED-IN TO PREVENT PULL-OUT WHEN MATING RECEPTACLE IS DISCONNECTED.
- 4 FOR COPPER OR ALUMINUM WIRE. 2 WIRES MAX OF THE SAME SIZE AND TYPE PER SLOT
- 5 VARNISH RESIST OVER 0.00232 [.000080] MIN TIN PER ASTM-B545.
- 6 COPPER MAGNET WIRE ONLY. 2 WIRES MAX OF THE SAME SIZE AND TYPE PER SLOT.
- 7 PRELIMINARY - NOT FOR PRODUCTION.



OBsolete	WIRE RANGE	FINISH	PART NO
	#15-#16	UNPLATED	63459-5
	#14-#15	SPECIAL	63459-4
	#14-#15	STANDARD	63459-3
	#14-#15	TIN	63459-2
OBsolete	#15-#16	VARNISH RESIST OVER TIN	63459-1
	ALUMINUM	COPPER	
	MAGNET WIRE RANGE	FINISH	PART NO

THIS DRAWING IS A CONTROLLED DOCUMENT.		DWN	JR RUTH	1/26/87	Tyco Electronics Corporation Harrisburg, PA 17105-3608
DIMENSIONS: INCHES		CHK	G YETTER	1/29/87	
TOLERANCES UNLESS OTHERWISE SPECIFIED:		APVD	J SWARTZ	1/29/87	
0 PLC ± - 1 PLC ± - 2 PLC ± - 3 PLC ± .015 4 PLC ± - ANGLES ± -		NAME		TAB, .250 FASTON, MAG-MATE™	
MATERIAL	#4H PRE-MILLED BRASS	FINISH	SEE TABLE	WEIGHT	-
CUSTOMER DRAWING		SCALE	4:1	SHEET	1 OF 1
		SIZE	A2	CAGE CODE	00779
		DRAWING NO	C=63459		RESTRICTED TO
		REV	H2		