



Chipsmall Limited consists of a professional team with an average of over 10 year of expertise in the distribution of electronic components. Based in Hongkong, we have already established firm and mutual-benefit business relationships with customers from,Europe,America and south Asia,supplying obsolete and hard-to-find components to meet their specific needs.

With the principle of “Quality Parts,Customers Priority,Honest Operation,and Considerate Service”,our business mainly focus on the distribution of electronic components. Line cards we deal with include Microchip,ALPS,ROHM,Xilinx,Pulse,ON,Everlight and Freescale. Main products comprise IC,Modules,Potentiometer,IC Socket,Relay,Connector.Our parts cover such applications as commercial,industrial, and automotives areas.

We are looking forward to setting up business relationship with you and hope to provide you with the best service and solution. Let us make a better world for our industry!



## Contact us

Tel: +86-755-8981 8866 Fax: +86-755-8427 6832

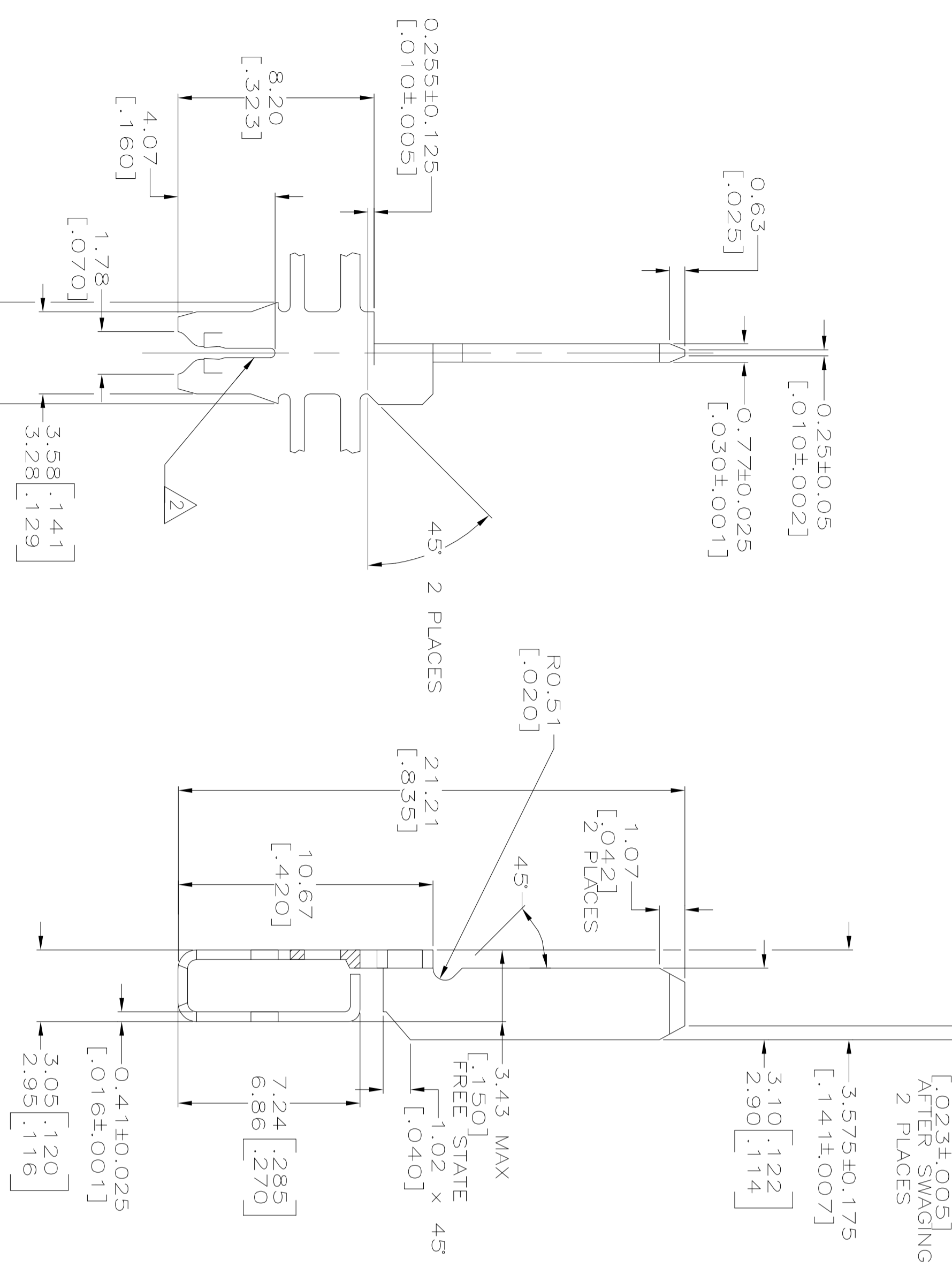
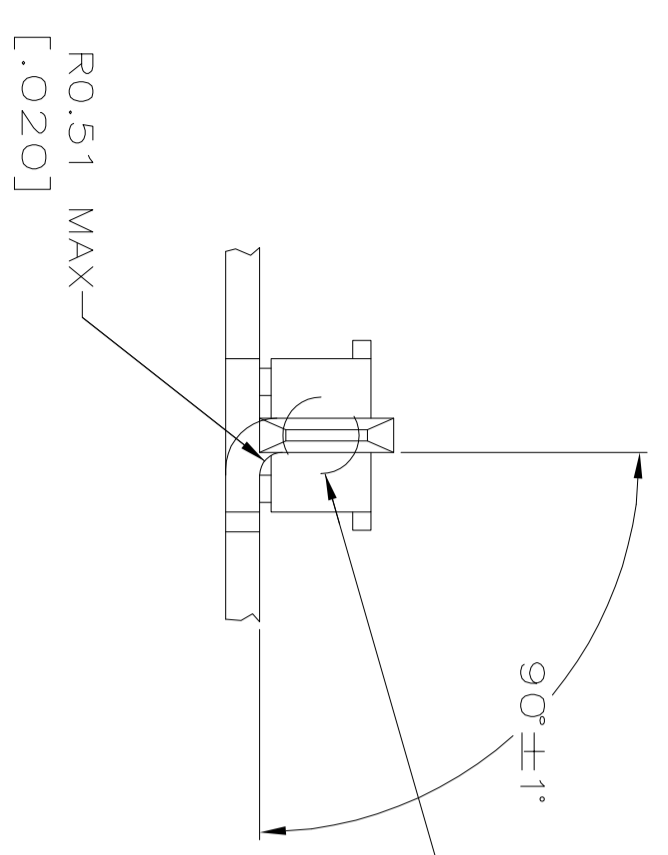
Email & Skype: info@chipsmall.com Web: www.chipsmall.com

Address: A1208, Overseas Decoration Building, #122 Zhenhua RD., Futian, Shenzhen, China

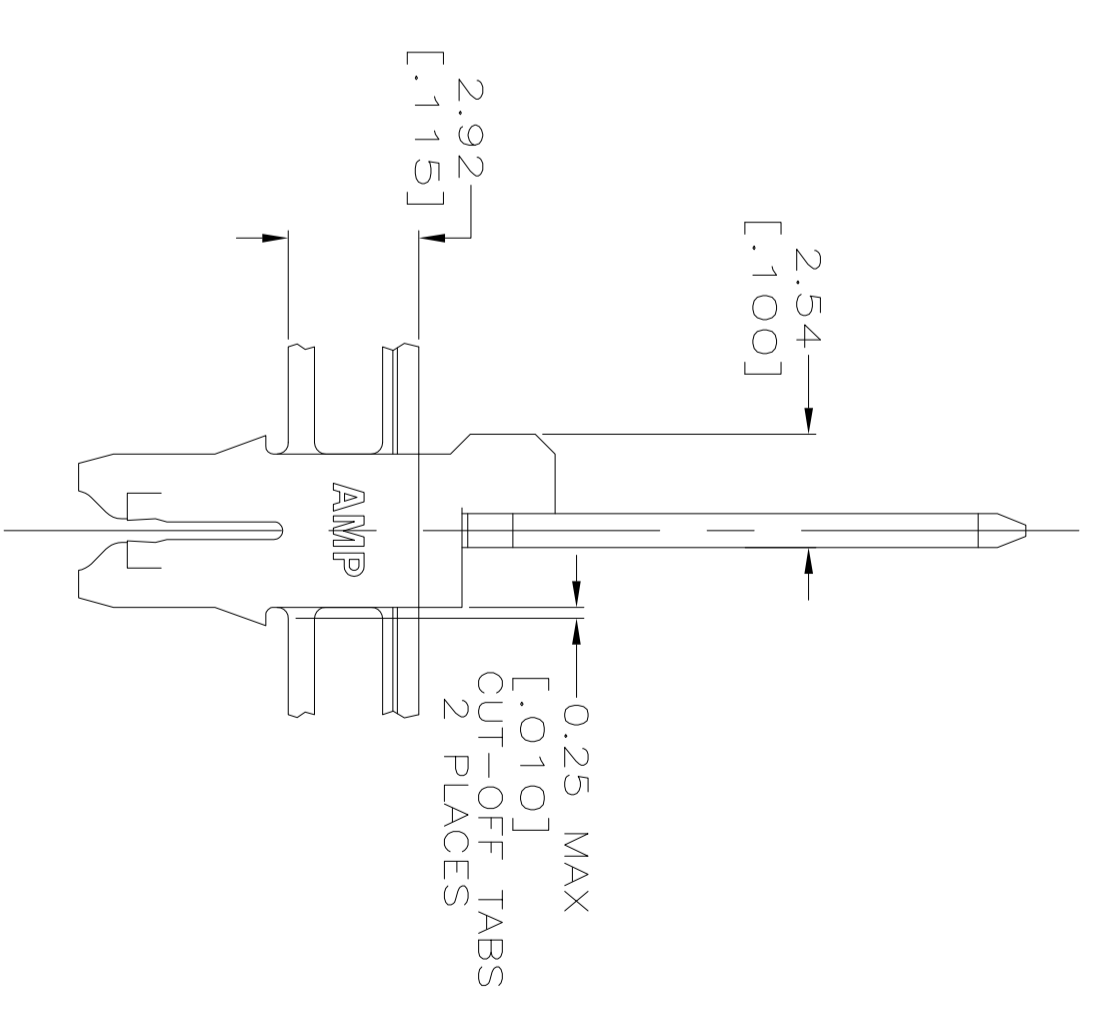


REVOLUTIONS		DATE	DMN	APPD
AF	50			
P	LR	REV PER 063A-0010-04	10JAN04	JR KR
G		REVISED PER ECR-12-022060	28DEC12	CX LL

IDENTIFICATION NUMBER 15  
 FOR MAGNET WIRE RANGE



- 1 CONTINUOUS STRIP ON REELS WITH TERMINALS LOCATED ON 8.38±0.076 [0.330±0.003] CENTERS
- 2 SLOT ACCEPTS 0.72mm DIA[#21] AWG COPPER MAGNET WIRE
- 3 REFER TO DWG 87-1039-3 FOR ADDITIONAL CAVITY INFORMATION (MODIFIED DEPTH)
- 4 PRELIMINARY - NOT FOR PRODUCTION.
- 5 0.002032 [0.000080] MIN TIN PLATE
- 6 0.002032 [0.000080] MIN TIN PLATE OVER 0.001270 [0.000050] MIN NICKEL PLATE



REV	DESCRIPTION	DATE	DMN	APPD
6	WELD			
5	SPLICE FREE			
4	WELD			
3	SPLICE			

THIS DRAWING IS A CONTROLLED DOCUMENT.

DMN: R.GRZYBOWSKI 24JUN97  
 CHK: M.S.FEHER 24JUN97  
 APPD: N.E.NEFF 24JUN97  
 PRODUCT SPEC: 108-2012  
 APPLICATION SPEC: 114-2046  
 WEIGHT: 3

Tyco Electronics Corporation  
 Harrisburg, Pa. 17105-3608

TAB.3.00[.118] CONNECTING,  
 MAG-MATE

SIZE: A2  
 CODE: 00779  
 DRAWING NO: 63463  
 SCALE: 6:1  
 SHEET: 1 of 1  
 REV: G1