



Chipsmall Limited consists of a professional team with an average of over 10 year of expertise in the distribution of electronic components. Based in Hongkong, we have already established firm and mutual-benefit business relationships with customers from,Europe,America and south Asia,supplying obsolete and hard-to-find components to meet their specific needs.

With the principle of “Quality Parts,Customers Priority,Honest Operation,and Considerate Service”,our business mainly focus on the distribution of electronic components. Line cards we deal with include Microchip,ALPS,ROHM,Xilinx,Pulse,ON,Everlight and Freescale. Main products comprise IC,Modules,Potentiometer,IC Socket,Relay,Connector.Our parts cover such applications as commercial,industrial, and automotives areas.

We are looking forward to setting up business relationship with you and hope to provide you with the best service and solution. Let us make a better world for our industry!



Contact us

Tel: +86-755-8981 8866 Fax: +86-755-8427 6832

Email & Skype: info@chipsmall.com Web: www.chipsmall.com

Address: A1208, Overseas Decoration Building, #122 Zhenhua RD., Futian, Shenzhen, China

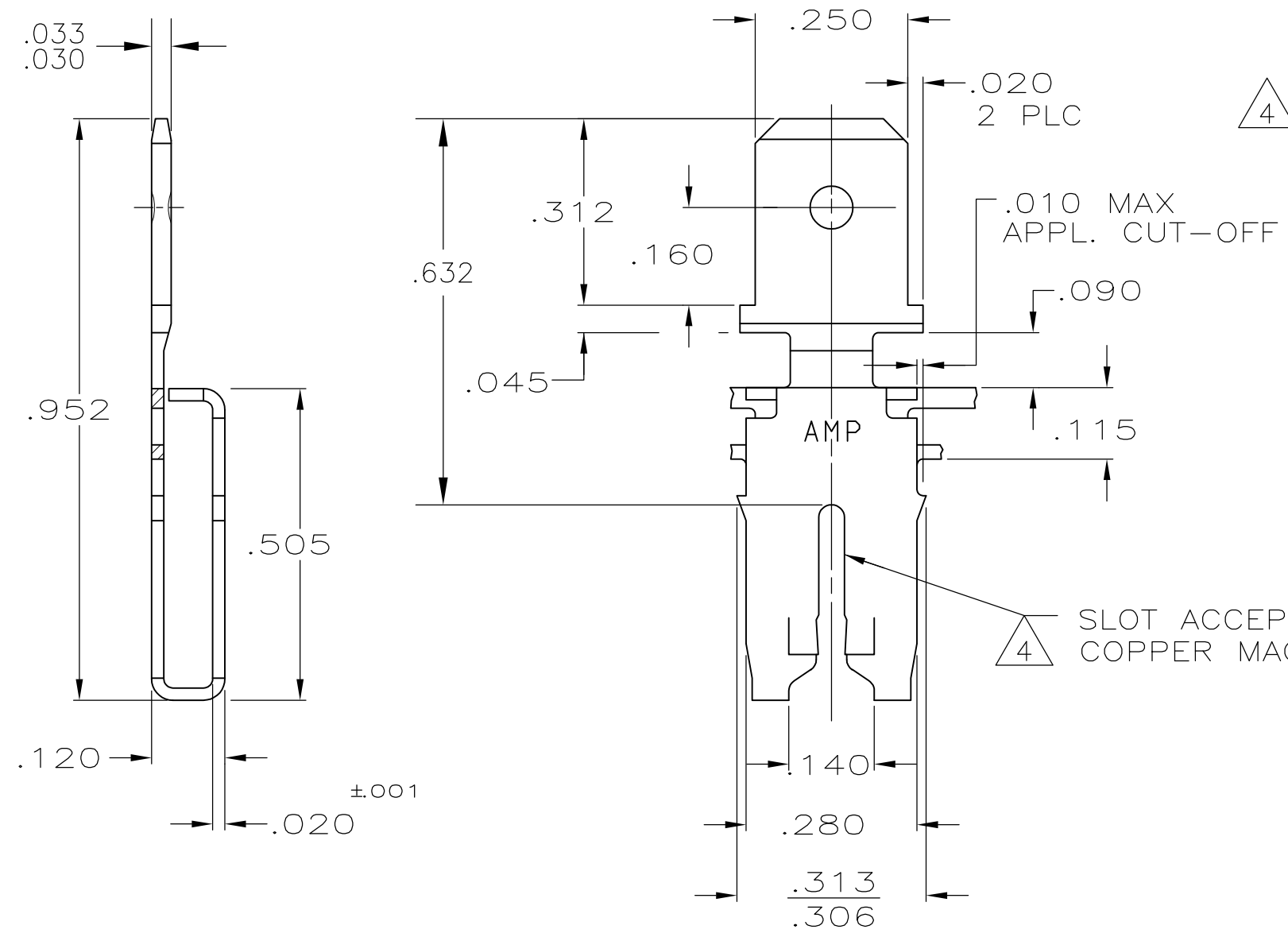
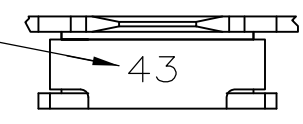


THIS DRAWING IS UNPUBLISHED. RELEASED FOR PUBLICATION
 © COPYRIGHT BY TYCO ELECTRONICS CORPORATION. ALL INTERNATIONAL RIGHTS RESERVED.

LOC	DIST	REVISIONS					
AF	50	P	LTR	DESCRIPTION	DATE	DWN	APVD
		C1		REVISED PER ECR-09-002564	12FEB09	HMR	KR

- 1 MAG-MATE CAVITY SPECIFICATION
- 2 CONTINUOUS STRIP ON REELS WITH TERMINALS LOCATED ON .330 CENTERS.
- 3 AFTER INSERTION INTO PLASTIC HOLDER, TAB PORTION MUST BE BENT OVER 45° TO 90° OR POTTED-IN TO PREVENT PULL-OUT WHEN MATING RECEPTACLE IS DISCONNECTED.
- 4 TWO #14-13.5 COPPER MAGNET WIRES ACCEPTABLE AT CAVITY ANVIL HEIGHT OF .155-.165.

IDENTIFICATION NUMBER FOR MAGNET WIRE RANGE



63465-1
PART NO

THIS DRAWING IS A CONTROLLED DOCUMENT.		DWN M.S. FEHER 4/21/87	Tyco Electronics Corporation Harrisburg, PA 17105-3608					
DIMENSIONS: INCHES	TOLERANCES UNLESS OTHERWISE SPECIFIED:	CHK G YETTER 4/21/87	NAME					
		APVD J SWARTZ 4/21/87	TAB, .250 FASTON,™ MAG-MATE™					
MATERIAL #4H PRE-MILLED BRASS	FINISH TIN	PRODUCT SPEC	SIZE	CAGE CODE	DRAWING NO	RESTRICTED TO		
		—	—	—	—	—		
CUSTOMER DRAWING		WEIGHT 114-2066△1	A3	00779	C-63465	SCALE 4:1	SHEET 1 OF 1	REV C1