



Chipsmall Limited consists of a professional team with an average of over 10 year of expertise in the distribution of electronic components. Based in Hongkong, we have already established firm and mutual-benefit business relationships with customers from,Europe,America and south Asia,supplying obsolete and hard-to-find components to meet their specific needs.

With the principle of “Quality Parts,Customers Priority,Honest Operation,and Considerate Service”,our business mainly focus on the distribution of electronic components. Line cards we deal with include Microchip,ALPS,ROHM,Xilinx,Pulse,ON,Everlight and Freescale. Main products comprise IC,Modules,Potentiometer,IC Socket,Relay,Connector.Our parts cover such applications as commercial,industrial, and automotives areas.

We are looking forward to setting up business relationship with you and hope to provide you with the best service and solution. Let us make a better world for our industry!



Contact us

Tel: +86-755-8981 8866 Fax: +86-755-8427 6832

Email & Skype: info@chipsmall.com Web: www.chipsmall.com

Address: A1208, Overseas Decoration Building, #122 Zhenhua RD., Futian, Shenzhen, China



THIS DRAWING IS UNPUBLISHED.

RELEASED FOR PUBLICATION

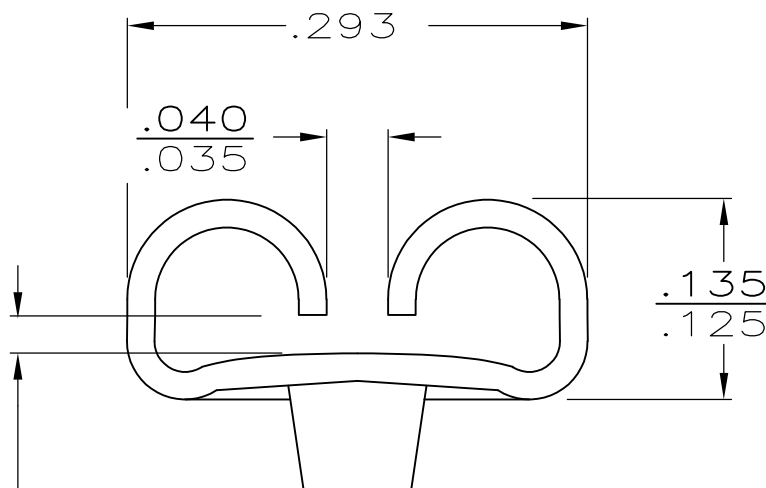
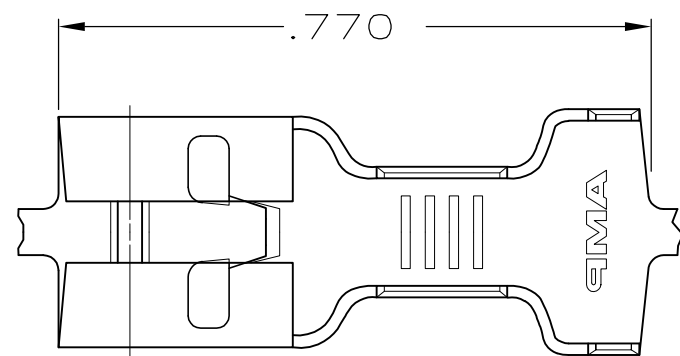
ALL RIGHTS RESERVED.

LOC AF DIST 50

REVISIONS

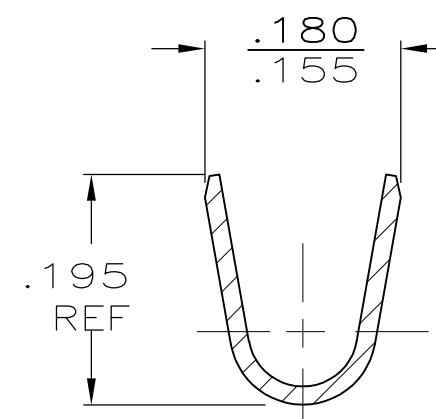
P	LTR	DESCRIPTION	DATE	DWN	APVD
B		REV PER ECO-12-012571	09JUL12	JR	PD

1 CONTINUOUS STRIP ON REELS.

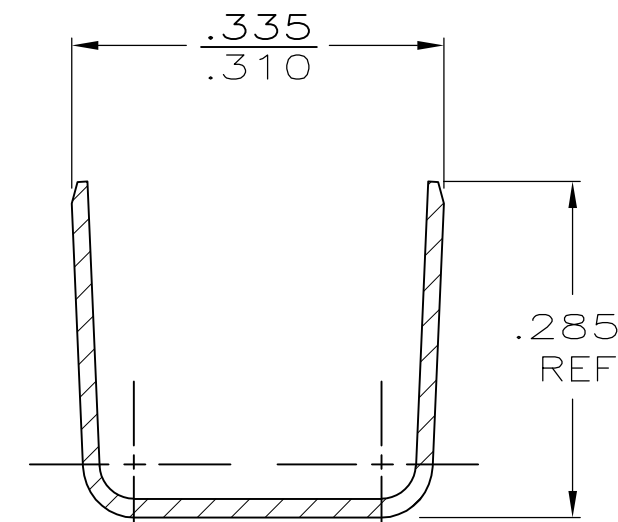


FITS .250 SERIES FASTON TAB

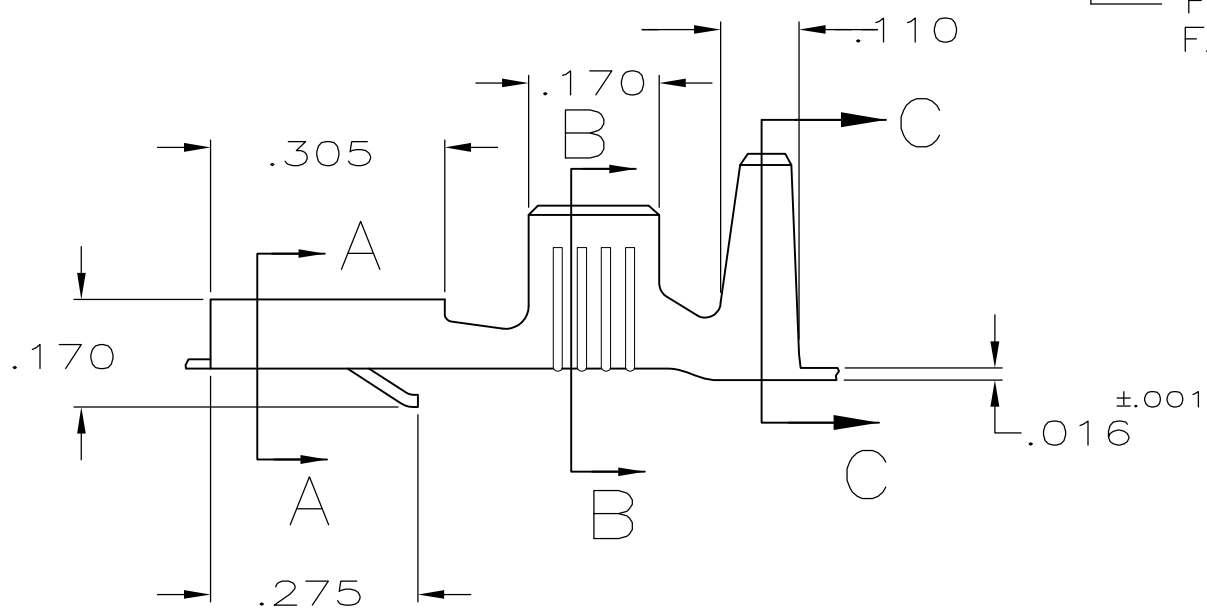
SECTION A-A




SECTION B-B



SECTION C-C



.140 (2) MAX	14-10 OR 2 #14	63467-1
INSULATION RANGE	WIRE SIZE	PART NO.

THIS DRAWING IS A CONTROLLED DOCUMENT.		DWN JR RUTH 5/7/87	 TE Connectivity RECEPTACLE, FASTON-FASTON, .250 SERIES	
DIMENSIONS: INCHES		CHK G YETTER 5/14/87		
TOLERANCES UNLESS OTHERWISE SPECIFIED:		APVD J GILLESPIE 5/14/87		
0 PLC ± - 1 PLC ± - 2 PLC ± - 3 PLC ± .010 4 PLC ± - ANGLES ± -		NAME		
MATERIAL #4H BRASS		FINISH TIN	PRODUCT SPEC	RESTRICTED TO
		WEIGHT -	APPLICATION SPEC	SIZE A3
		CUSTOMER DRAWING	WEIGHT -	CAGE CODE 00779
			SCALE NTS	DRAWING NO C-63467
			SHEET 1 OF 1	REV B