



Chipsmall Limited consists of a professional team with an average of over 10 year of expertise in the distribution of electronic components. Based in Hongkong, we have already established firm and mutual-benefit business relationships with customers from,Europe,America and south Asia,supplying obsolete and hard-to-find components to meet their specific needs.

With the principle of "Quality Parts,Customers Priority,Honest Operation,and Considerate Service",our business mainly focus on the distribution of electronic components. Line cards we deal with include Microchip,ALPS,ROHM,Xilinx,Pulse,ON,Everlight and Freescale. Main products comprise IC,Modules,Potentiometer,IC Socket,Relay,Connector.Our parts cover such applications as commercial,industrial, and automotives areas.

We are looking forward to setting up business relationship with you and hope to provide you with the best service and solution. Let us make a better world for our industry!



Contact us

Tel: +86-755-8981 8866 Fax: +86-755-8427 6832

Email & Skype: info@chipsmall.com Web: www.chipsmall.com

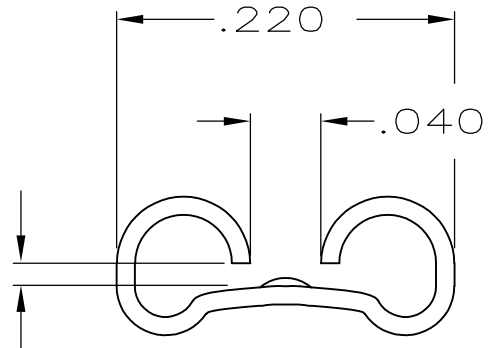
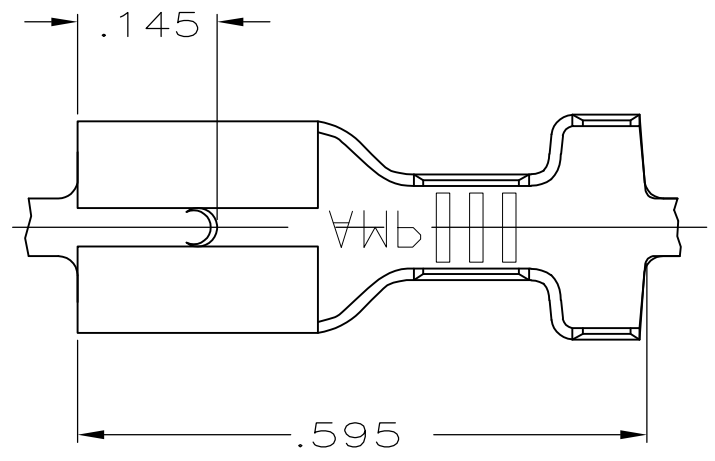
Address: A1208, Overseas Decoration Building, #122 Zhenhua RD., Futian, Shenzhen, China



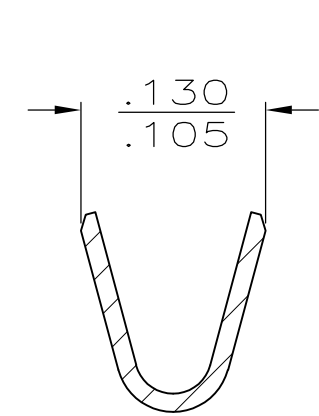
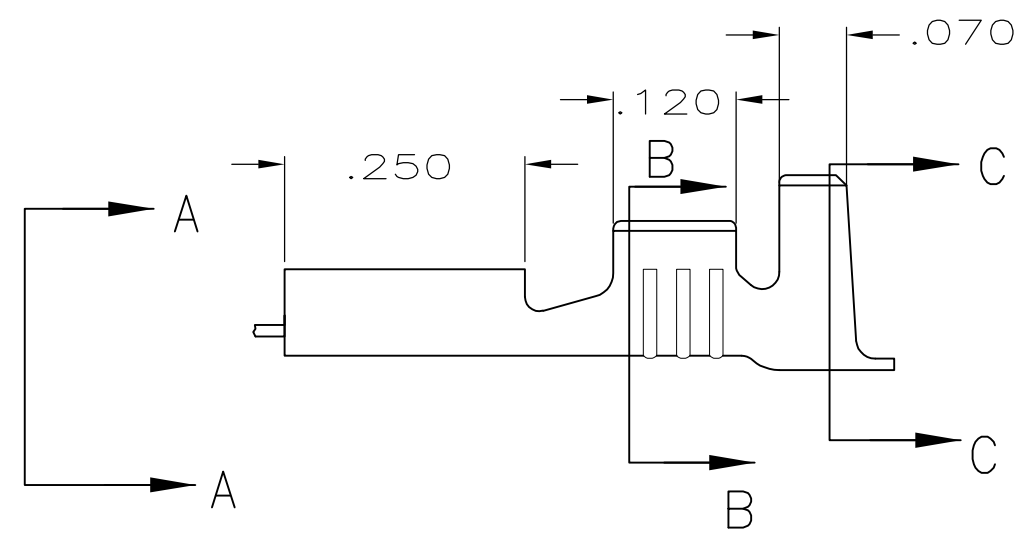
THIS DRAWING IS UNPUBLISHED. RELEASED FOR PUBLICATION
 © COPYRIGHT - By - ALL RIGHTS RESERVED.

LOC	DIST	REVISIONS					
AF	50	P	LTR	DESCRIPTION	DATE	DWN	APVD
			D	REVISED PER ECR-12-013518	23NOV2012	KH	PD

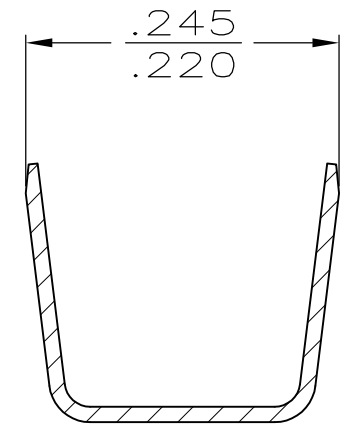
1 CONTINUOUS STRIP ON REELS.



FITS .187 X .020 SERIES FASTON TAB
VIEW A-A



SECTION B-B



SECTION C-C

.105-.210 OR (2).105 MAX	18-16 OR (2) #18	.020	63470-1
INSULATION RANGE	WIRE SIZE	TAB THK ±.001	PART NO.

THIS DRAWING IS A CONTROLLED DOCUMENT.		DWN	JR RUTH	7/15/87	STE TE Connectivity		
DIMENSIONS: INCHES		CHK	G YETTER	7/16/87			
TOLERANCES UNLESS OTHERWISE SPECIFIED:		APVD	C MEYERS	7/17/87	NAME		
0 PLC ± -		PRODUCT SPEC		RECEPTACLE, FASTON,™			
1 PLC ± -		APPLICATION SPEC		.187 SERIES			
2 PLC ± -		SIZE	A3	CAGE CODE	00779	DRAWING NO	C-63470
3 PLC ± .010		WEIGHT	-		RESTRICTED TO		
4 PLC ± -		CUSTOMER DRAWING					
ANGLES ± -		SCALE	NTS		SHEET	1 OF 1	
FINISH -		REV		D			
MATERIAL BRASS							