



Chipsmall Limited consists of a professional team with an average of over 10 year of expertise in the distribution of electronic components. Based in Hongkong, we have already established firm and mutual-benefit business relationships with customers from,Europe,America and south Asia,supplying obsolete and hard-to-find components to meet their specific needs.

With the principle of “Quality Parts,Customers Priority,Honest Operation,and Considerate Service”,our business mainly focus on the distribution of electronic components. Line cards we deal with include Microchip,ALPS,ROHM,Xilinx,Pulse,ON,Everlight and Freescale. Main products comprise IC,Modules,Potentiometer,IC Socket,Relay,Connector.Our parts cover such applications as commercial,industrial, and automotives areas.

We are looking forward to setting up business relationship with you and hope to provide you with the best service and solution. Let us make a better world for our industry!



Contact us

Tel: +86-755-8981 8866 Fax: +86-755-8427 6832

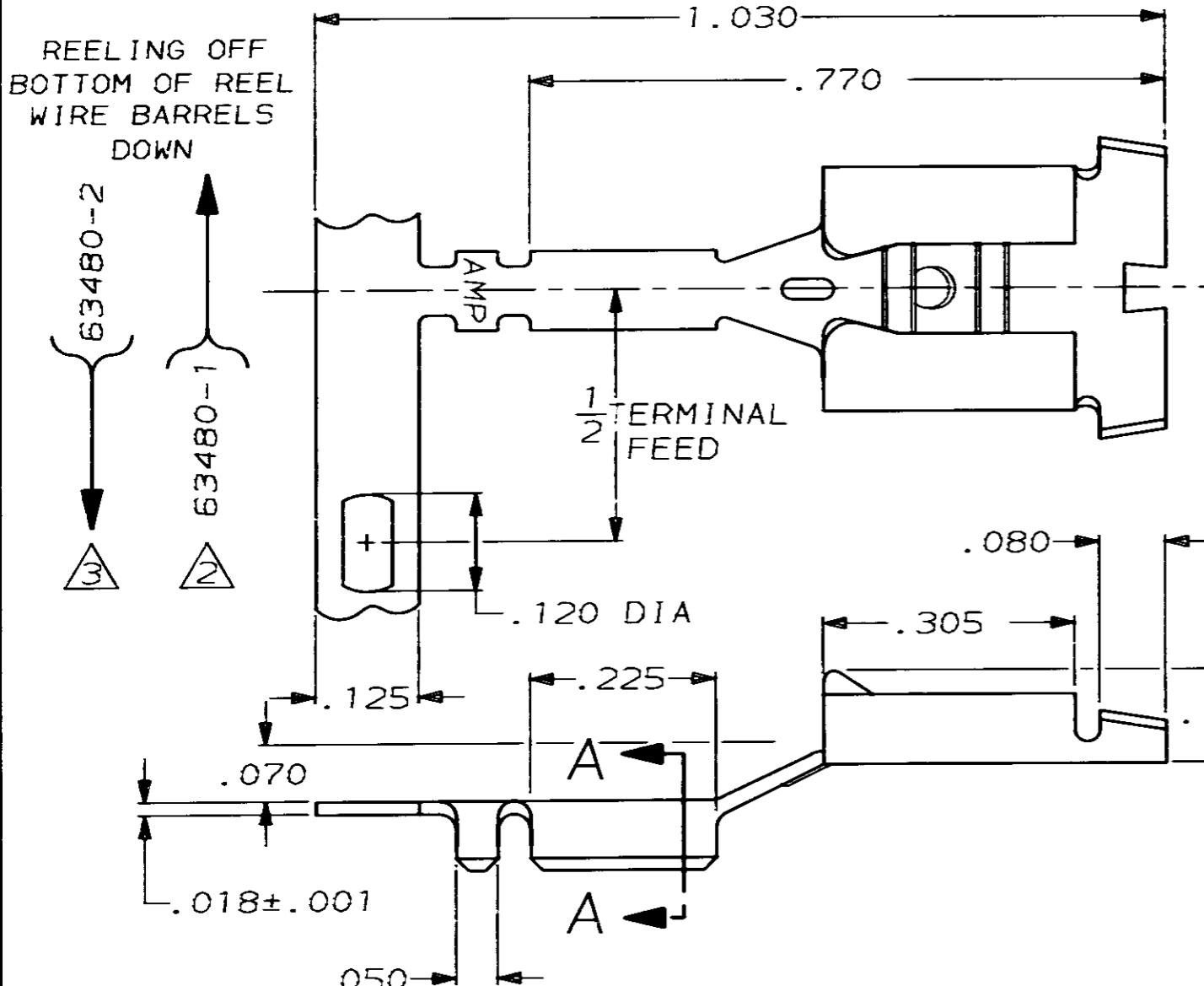
Email & Skype: info@chipsmall.com Web: www.chipsmall.com

Address: A1208, Overseas Decoration Building, #122 Zhenhua RD., Futian, Shenzhen, China

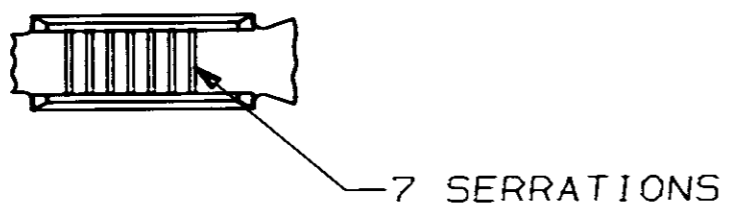
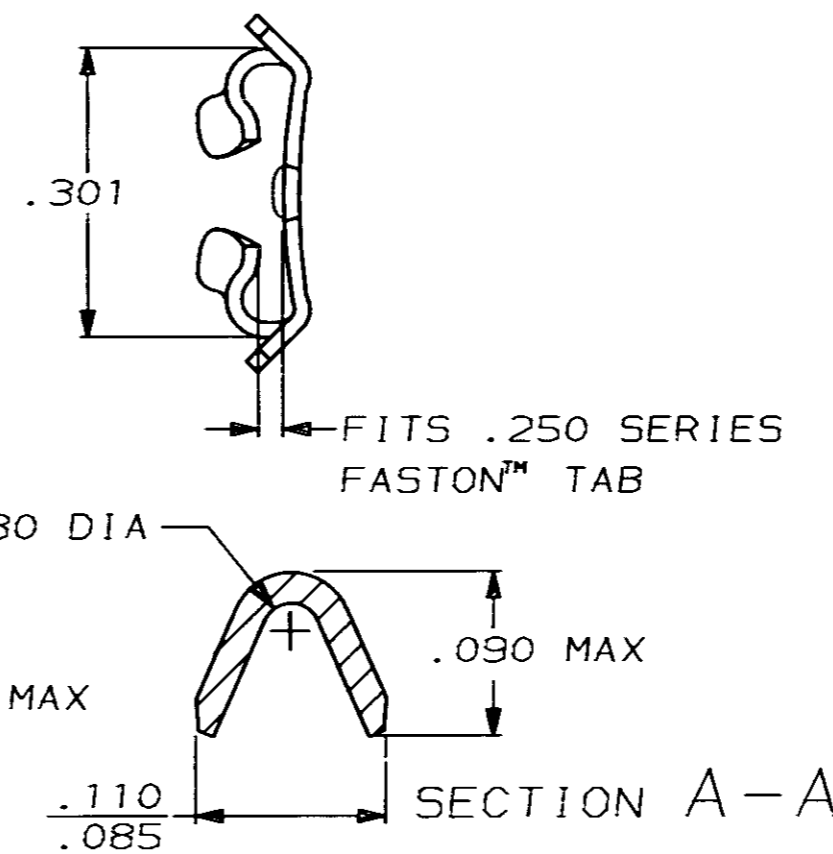


THIS DRAWING IS UNPUBLISHED. RELEASED FOR PUBLICATION, 19
© COPYRIGHT 19 BY AMP INCORPORATED. ALL INTERNATIONAL RIGHTS RESERVED.

LOC	DIST	P	F	ZONE	LTR	REVISIONS	DATE	APPD
AF	50				D	RELEASED PER F.A.S.R.	5/29/90	MSF



1 CONTINUOUS STRIP ON REELS WITH TERMINALS LOCATED ON .620 CENTERS.



	△3	.032	#27-#22 AWG	63480-2
	△2			63480-1
	REELING	MATING TAB THK ±.001	MAGNET WIRE RANGE	PART NO
DO NOT SCALE PRINT. UNLESS SPECIFIED DIMENSIONS IN INCHES TOLERANCES ON: 2 PLC DEC ± - 3 PLC DEC ± .010 ANGLES ± -	DR M.S. FEHER 11/24/87 CHK G YETTER 12/3/87 APPD D SCHEWNK 12/3/87 APPD G ATHERTON 12/3/87	AMP INCORPORATED Harrisburg, Pa. 17105		
MATERIAL #4 HARD BRASS	PRODUCT SPEC -	STATOR RECEPTACLE AMPLIVAR™		
FINISH PRE-TIN .000080 MIN THK MIL-T-10727	APPLICATION SPEC - WEIGHT -	SIZE B	FSCM NO 00779	DRAWING NO 63480
		SCALE 5:1	SHEET 1 OF 1	