



Chipsmall Limited consists of a professional team with an average of over 10 year of expertise in the distribution of electronic components. Based in Hongkong, we have already established firm and mutual-benefit business relationships with customers from,Europe,America and south Asia,supplying obsolete and hard-to-find components to meet their specific needs.

With the principle of "Quality Parts,Customers Priority,Honest Operation,and Considerate Service",our business mainly focus on the distribution of electronic components. Line cards we deal with include Microchip,ALPS,ROHM,Xilinx,Pulse,ON,Everlight and Freescale. Main products comprise IC,Modules,Potentiometer,IC Socket,Relay,Connector.Our parts cover such applications as commercial,industrial, and automotives areas.

We are looking forward to setting up business relationship with you and hope to provide you with the best service and solution. Let us make a better world for our industry!



Contact us

Tel: +86-755-8981 8866 Fax: +86-755-8427 6832

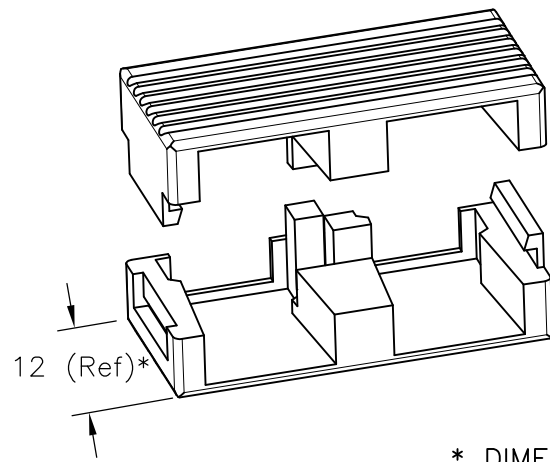
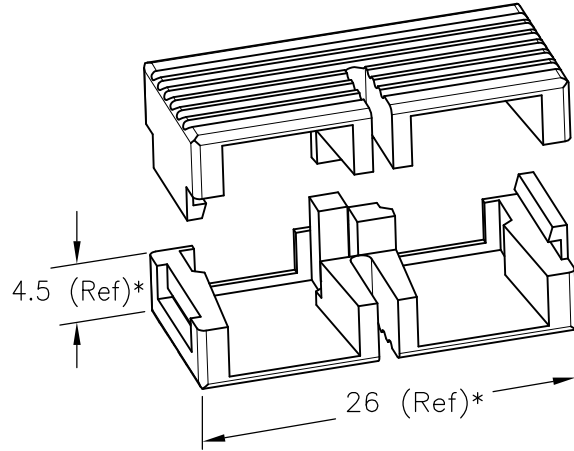
Email & Skype: info@chipsmall.com Web: www.chipsmall.com

Address: A1208, Overseas Decoration Building, #122 Zhenhua RD., Futian, Shenzhen, China



LOC H	DIST —	REVISIONS			
P	LTR	DESCRIPTION	DATE	DWN	APVD
	B	ECR-12-011183	26JUN2012	RC	AH

BOTH CLIPS WITH AND WITHOUT SLOT ARE ACCEPTABLE



* DIMENSIONS APPLY TO BOTH CLIPS

6348522-4	BEIGE
6348522-3	BLUE
6348522-2	GREEN
6348522-1	BLACK
PART NUMBER	COLOUR


NOTE: 2 PIECES MAKE 1 CLIP

RELEASED FOR PUBLICATION

ALL RIGHTS RESERVED.

THIS DRAWING IS UNPUBLISHED.

By -
COPYRIGHT -

DIMENSIONS: mm	DWN R. COOLEN 22APR2005	MATERIAL —	FINISH —
	CHK J. ELENBAAS 22APR2005	 TE Connectivity	
TOLERANCES UNLESS OTHERWISE SPECIFIED:	APVD A. HENGELMOLEN 22APR2005		
0 PLC ± -	PRODUCT SPEC —	SIZE A4	CAGE CODE 00779
1 PLC ± -	APPLICATION SPEC —	DRAWING NO C-6348522	RESTRICTED TO —
2 PLC ± -	WEIGHT —	SCALE NTS	
3 PLC ± -		SHEET 1 OF 1	
4 PLC ± -		REV B	
ANGLES ± -		CUSTOMER DRAWING	

