



Chipsmall Limited consists of a professional team with an average of over 10 year of expertise in the distribution of electronic components. Based in Hongkong, we have already established firm and mutual-benefit business relationships with customers from,Europe,America and south Asia,supplying obsolete and hard-to-find components to meet their specific needs.

With the principle of "Quality Parts,Customers Priority,Honest Operation,and Considerate Service",our business mainly focus on the distribution of electronic components. Line cards we deal with include Microchip,ALPS,ROHM,Xilinx,Pulse,ON,Everlight and Freescale. Main products comprise IC,Modules,Potentiometer,IC Socket,Relay,Connector.Our parts cover such applications as commercial,industrial, and automotives areas.

We are looking forward to setting up business relationship with you and hope to provide you with the best service and solution. Let us make a better world for our industry!



Contact us

Tel: +86-755-8981 8866 Fax: +86-755-8427 6832

Email & Skype: info@chipsmall.com Web: www.chipsmall.com

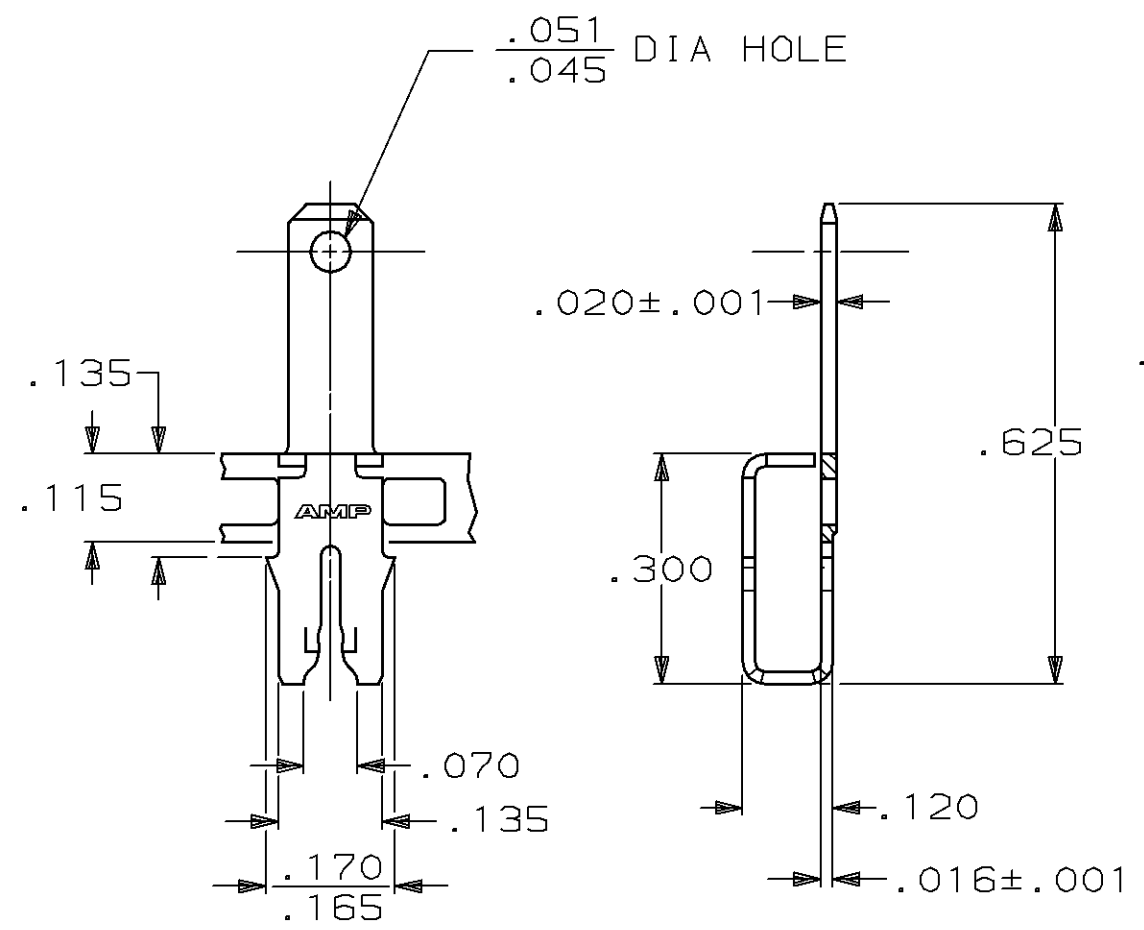
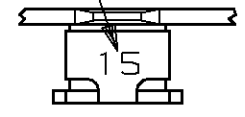
Address: A1208, Overseas Decoration Building, #122 Zhenhua RD., Futian, Shenzhen, China



THIS DRAWING IS UNPUBLISHED. RELEASED FOR PUBLICATION ,19 .
 © COPYRIGHT 19 BY AMP INCORPORATED, HARRISBURG, PA. ALL INTERNATIONAL RIGHTS RESERVED. AMP PRODUCTS MAY BE COVERED BY U.S. AND FOREIGN PATENTS AND/OR PATENTS PENDING.

LOC	DIST	P	F	ZONE	LTR	DESCRIPTION	DATE	APPROVED
AF	50				A	RELEASED PER F.A.S.R.	5/11/89	MSF

IDENTIFICATION NUMBER 15 FOR MAGNET WIRE RANGE.



- 1 MAG-MATE CAVITY SPECIFICATION.
- 2 CONTINUOUS STRIP ON REELS WITH TERMINALS LOCATED ON ON .220 CENTERS.
- 3 SLOT ACCEPTS #23-#20 COPPER MAGNET WIRE.
- 4 AFTER INSERTION INTO PLASTIC HOLDER TAB PORTION MUST BE BENT OVER 45° TO 90° OR POTTED TO PREVENT PULL-OUT WHEN MATING RECEPTACLE IS DISCONNECTED.

63486-1

PART NO

UNLESS OTHERWISE SPECIFIED DIMENSIONS ARE IN INCHES TOLERANCES ON: 2 PL DEC ± - 3 PL DEC ± .010 ANGLES ± 1°	DR	M. S. FEHER	2/23/89	AMP AMP INCORPORATED Harrisburg, Pa. 17105
	CHK	JR RUTH	2/24/89	
	APPD	NELSON E. NEFF	3/7/89	
	APPD	C.G. ATHERTON	3/9/89	
MATERIAL #4 HARD PRE-MILLED BRASS	PRODUCT SPEC	NAME		
FINISH	TIN	TAB, 110 FASTON, MAG-MATE™		
APPLICATION SPEC	114-2046	SIZE	B	FSCM NO
WEIGHT	-	SCALE	4:1	DRAWING NO
				63486
				SHEET 1 OF 1