



Chipsmall Limited consists of a professional team with an average of over 10 year of expertise in the distribution of electronic components. Based in Hongkong, we have already established firm and mutual-benefit business relationships with customers from,Europe,America and south Asia,supplying obsolete and hard-to-find components to meet their specific needs.

With the principle of “Quality Parts,Customers Priority,Honest Operation,and Considerate Service”,our business mainly focus on the distribution of electronic components. Line cards we deal with include Microchip,ALPS,ROHM,Xilinx,Pulse,ON,Everlight and Freescale. Main products comprise IC,Modules,Potentiometer,IC Socket,Relay,Connector.Our parts cover such applications as commercial,industrial, and automotives areas.

We are looking forward to setting up business relationship with you and hope to provide you with the best service and solution. Let us make a better world for our industry!



Contact us

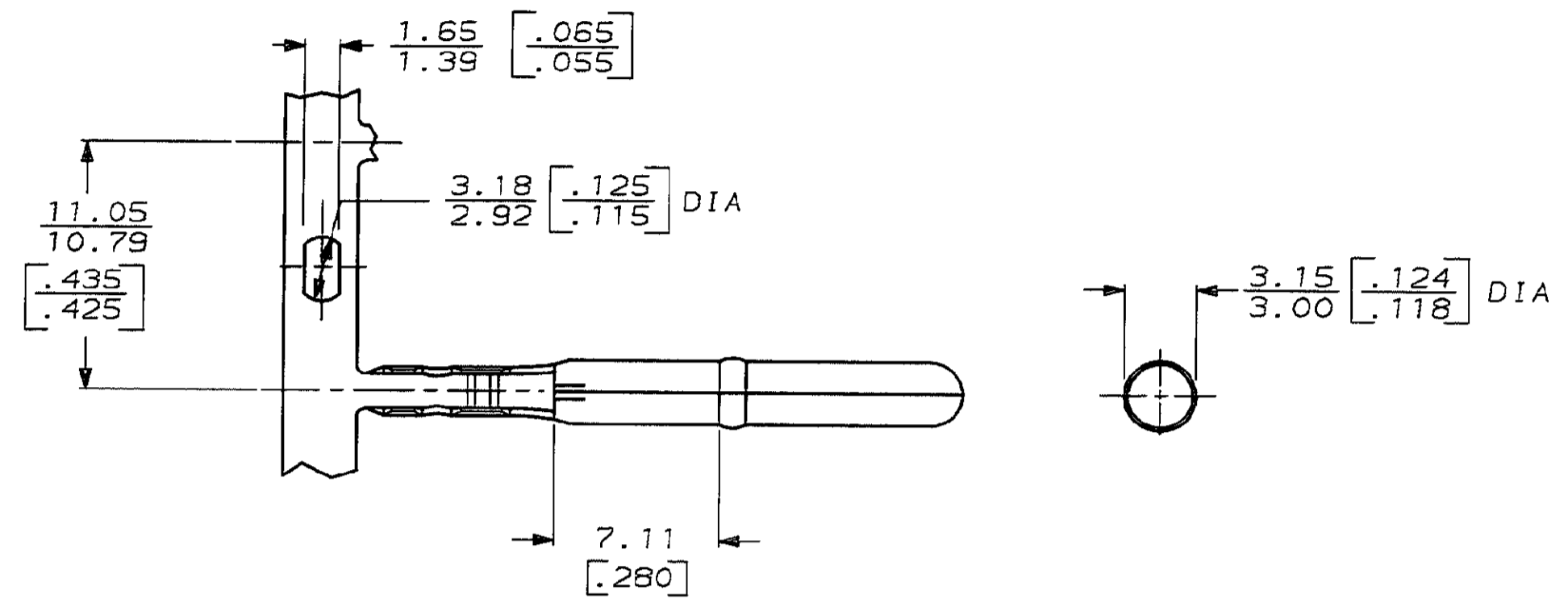
Tel: +86-755-8981 8866 Fax: +86-755-8427 6832

Email & Skype: info@chipsmall.com Web: www.chipsmall.com

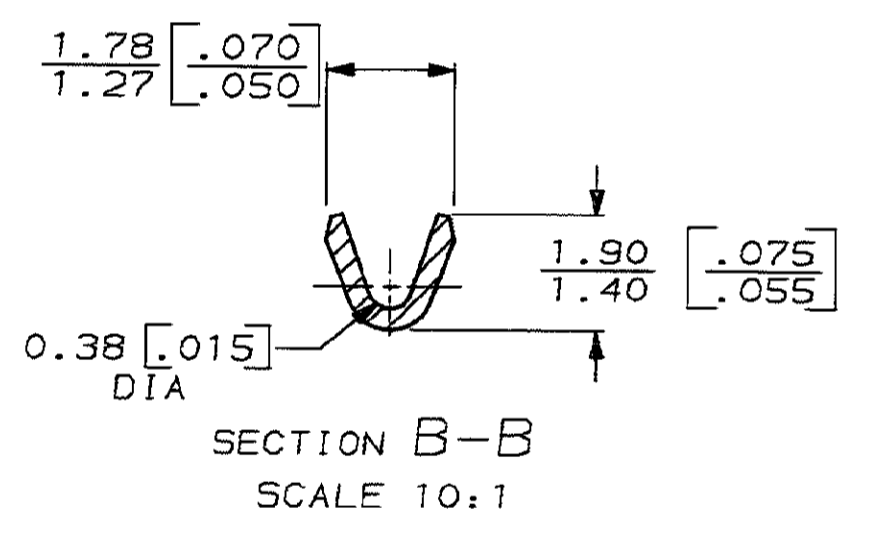
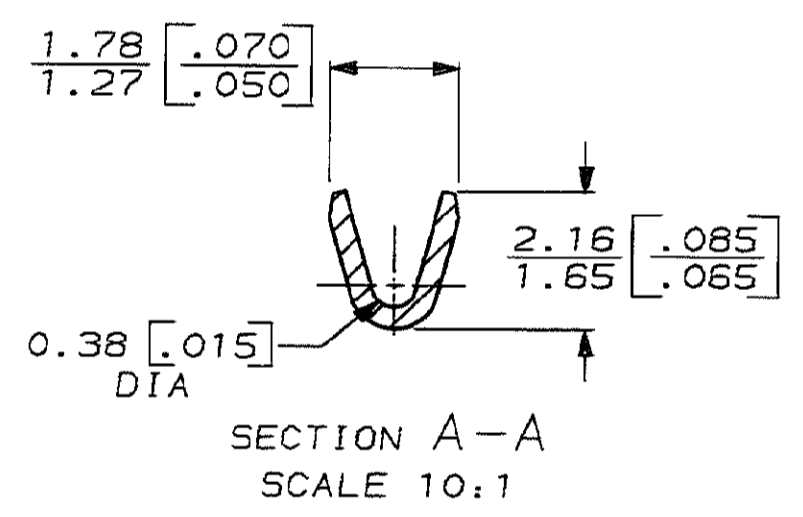
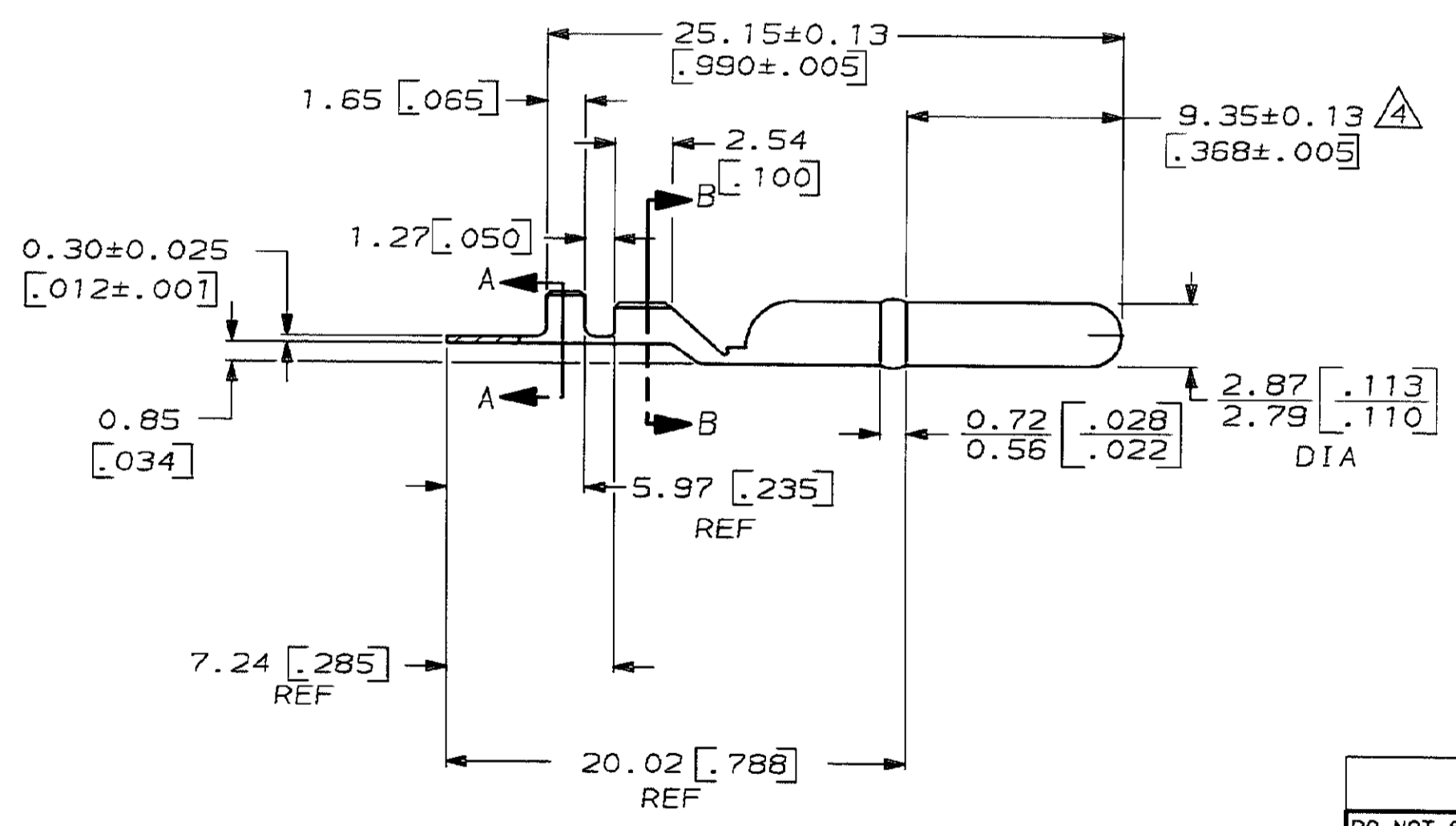
Address: A1208, Overseas Decoration Building, #122 Zhenhua RD., Futian, Shenzhen, China



LOC	DIST	P	F	ZONE	LTR	REVISIONS	DATE	APPD
AF	50					DESCRIPTION		
					E	REV PER 0190-93	6/22/93	PF/GY



- 1 CONTINUOUS STRIP ON REELS
- 2 DIMENSIONS IN BRACKETS ARE IN INCHES
- 3 SEAM OPENING TO BE 0.076 [0.003] MAX OVER ENTIRE LENGTH OF PIN
- 4 2.79-2.87 [0.110-0.113] DIA APPLIES OVER THIS LENGTH
- 5 PARTS MUST MEET 90° BEND TOWARDS SEAM ON MATING PIN SIDE OF 0.72 [0.028] BEAD WITHOUT COMPLETELY BREAKING OFF



METRIC					
F	1.07	3.56	F	1.07	.81 [0.032]
	[0.042]	[0.140]		[0.042]	.13 [0.005]
					.72 [0.030]
					.74 [0.029]
					.051 [0.002]
TYPE	WIDTH	STRIP LENGTH ±.015	TYPE	WIDTH	HEIGHT
INSUL BARREL CRIMP			WIRE BARREL CRIMP		WIRE

1.15-0.63 [0.045-.025]		0.05-0.12mm ² [30-26]		63493-1	
INSULATION RANGE		WIRE SIZE		PART NO	
DO NOT SCALE PRINT. UNLESS SPECIFIED DIMENSIONS IN INCHES TOLERANCES ON : 2 PLC DEC ± - 3 PLC DEC ± 0.25 [0.010] ANGLES ± -		DR 6/6/88 P FORTNEY CHK 6/9/88 MS FEHER APPD 6/9/88 D DECKER APPD 6/9/88 TL SHUTTER PRODUCT SPEC -		AMP INCORPORATED Harrisburg, Pa. 17105	
MATERIAL #2 HARD BRASS		FINISH PRE-TIN		NAME .112 DIA PIN	
APPLICATION SPEC -		WEIGHT -		SIZE C	
				FSCM NO 00779	
				DRAWING NO 63493	
				SCALE 4:1	
				SHEET 1 OF 1	