



Chipsmall Limited consists of a professional team with an average of over 10 year of expertise in the distribution of electronic components. Based in Hongkong, we have already established firm and mutual-benefit business relationships with customers from,Europe,America and south Asia,supplying obsolete and hard-to-find components to meet their specific needs.

With the principle of “Quality Parts,Customers Priority,Honest Operation,and Considerate Service”,our business mainly focus on the distribution of electronic components. Line cards we deal with include Microchip,ALPS,ROHM,Xilinx,Pulse,ON,Everlight and Freescale. Main products comprise IC,Modules,Potentiometer,IC Socket,Relay,Connector.Our parts cover such applications as commercial,industrial, and automotives areas.

We are looking forward to setting up business relationship with you and hope to provide you with the best service and solution. Let us make a better world for our industry!



Contact us

Tel: +86-755-8981 8866 Fax: +86-755-8427 6832

Email & Skype: info@chipsmall.com Web: www.chipsmall.com

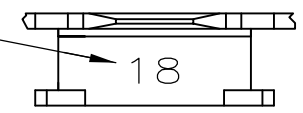
Address: A1208, Overseas Decoration Building, #122 Zhenhua RD., Futian, Shenzhen, China



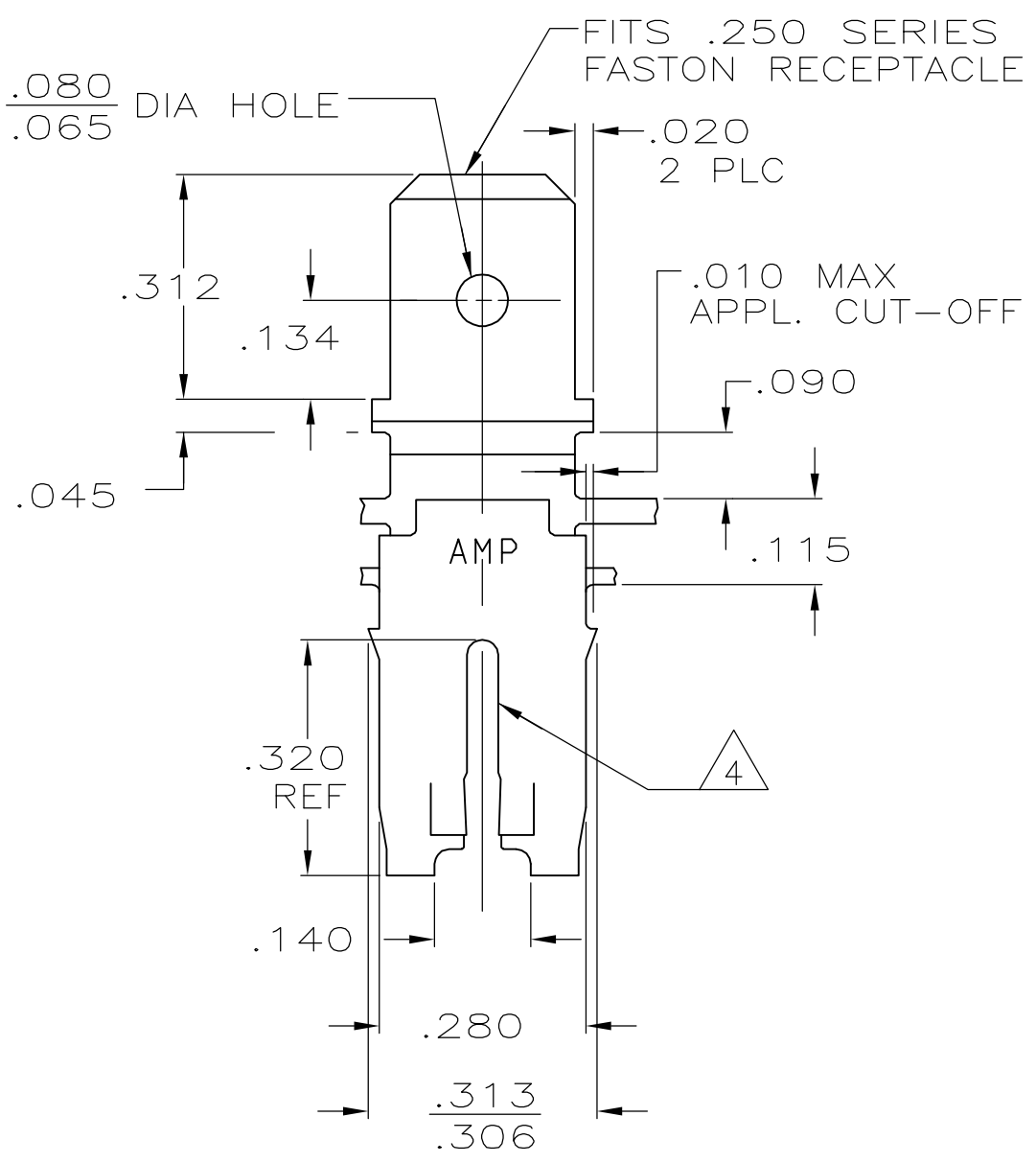
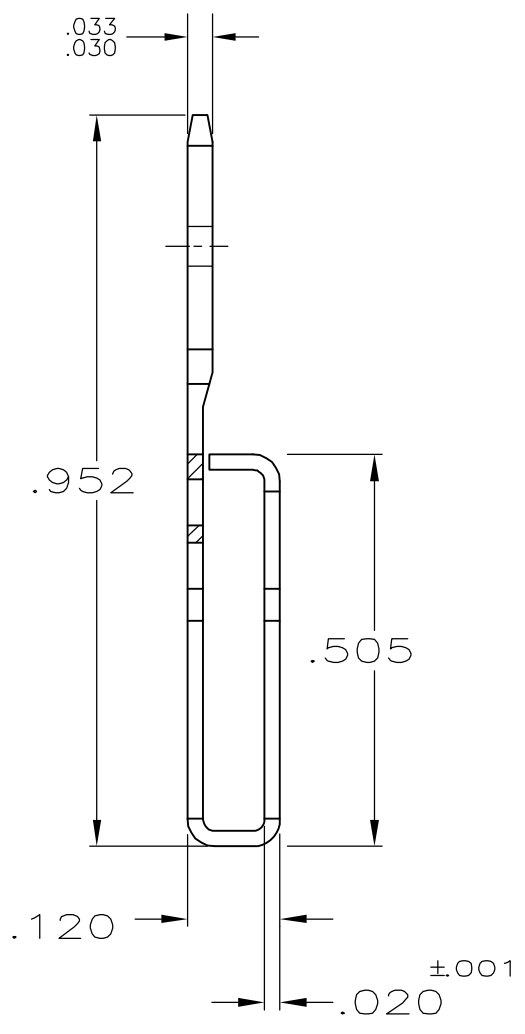
THIS DRAWING IS UNPUBLISHED. RELEASED FOR PUBLICATION
 © COPYRIGHT - BY TYCO ELECTRONICS CORPORATION. ALL RIGHTS RESERVED.

LOC	DIST	REVISIONS			
P	LTR	DESCRIPTION	DATE	DWN	APVD
AF	50	C	REVISED PER ECR-06-010427	04SEP06	HMR KR

IDENTIFICATION NUMBER FOR MAGNET WIRE RANGE



- 1 FOR MAG-MATE CAVITY SPECIFICATION
- 2 CONTINUOUS STRIP ON REELS WITH TERMINALS LOCATED ON .330 CENTERS.
- 3 AFTER INSERTION INTO PLASTIC HOLDER MAG-MATE MUST BE POTTED-IN TO PREVENT PULL-OUT WHEN MATING RECEPTACLE IS DISCONNECTED.
- 4 TWO WIRES OF THE SAME SIZE MAX PER SLOT. #22-#20 AWG COPPER MAGNET WIRE RANGE.



63495-1
PART NO

THIS DRAWING IS A CONTROLLED DOCUMENT.		DWN M.S. FEHER 5/19/88	Tyco Electronics Corporation Harrisburg, PA 17105-3608	
DIMENSIONS: INCHES		CHK P. FORTNEY 5/31/88		
TOLERANCES UNLESS OTHERWISE SPECIFIED:		APVD J SWARTZ 5/31/88	NAME	
0 PLC ± - 1 PLC ± - 2 PLC ± - 3 PLC ± .010 4 PLC ± - ANGLES ± -		PRODUCT SPEC	TAB, .250 FASTON,™ MAG-MATE™	
MATERIAL #4M HARD PRE-MILLED BRASS		FINISH VARNISH RESIST, SYNTHETIC OIL OVER .000080 MIN TIN	APPLICATION SPEC	RESTRICTED TO
		WEIGHT 114-2066	SIZE A3	CAGE CODE 00779
		CUSTOMER DRAWING	DRAWING NO C-63495	RESTRICTED TO
		SCALE 4:1	SHEET 1 OF 1	REV C