



Chipsmall Limited consists of a professional team with an average of over 10 year of expertise in the distribution of electronic components. Based in Hongkong, we have already established firm and mutual-benefit business relationships with customers from,Europe,America and south Asia,supplying obsolete and hard-to-find components to meet their specific needs.

With the principle of "Quality Parts,Customers Priority,Honest Operation,and Considerate Service",our business mainly focus on the distribution of electronic components. Line cards we deal with include Microchip,ALPS,ROHM,Xilinx,Pulse,ON,Everlight and Freescale. Main products comprise IC,Modules,Potentiometer,IC Socket,Relay,Connector.Our parts cover such applications as commercial,industrial, and automotives areas.

We are looking forward to setting up business relationship with you and hope to provide you with the best service and solution. Let us make a better world for our industry!



Contact us

Tel: +86-755-8981 8866 Fax: +86-755-8427 6832

Email & Skype: info@chipsmall.com Web: www.chipsmall.com

Address: A1208, Overseas Decoration Building, #122 Zhenhua RD., Futian, Shenzhen, China

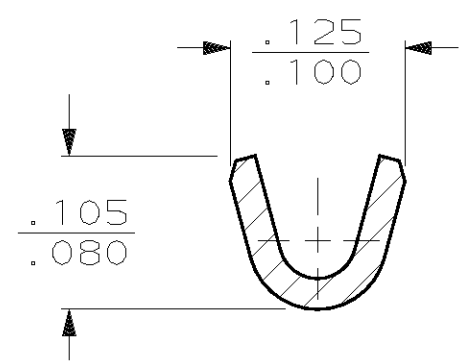
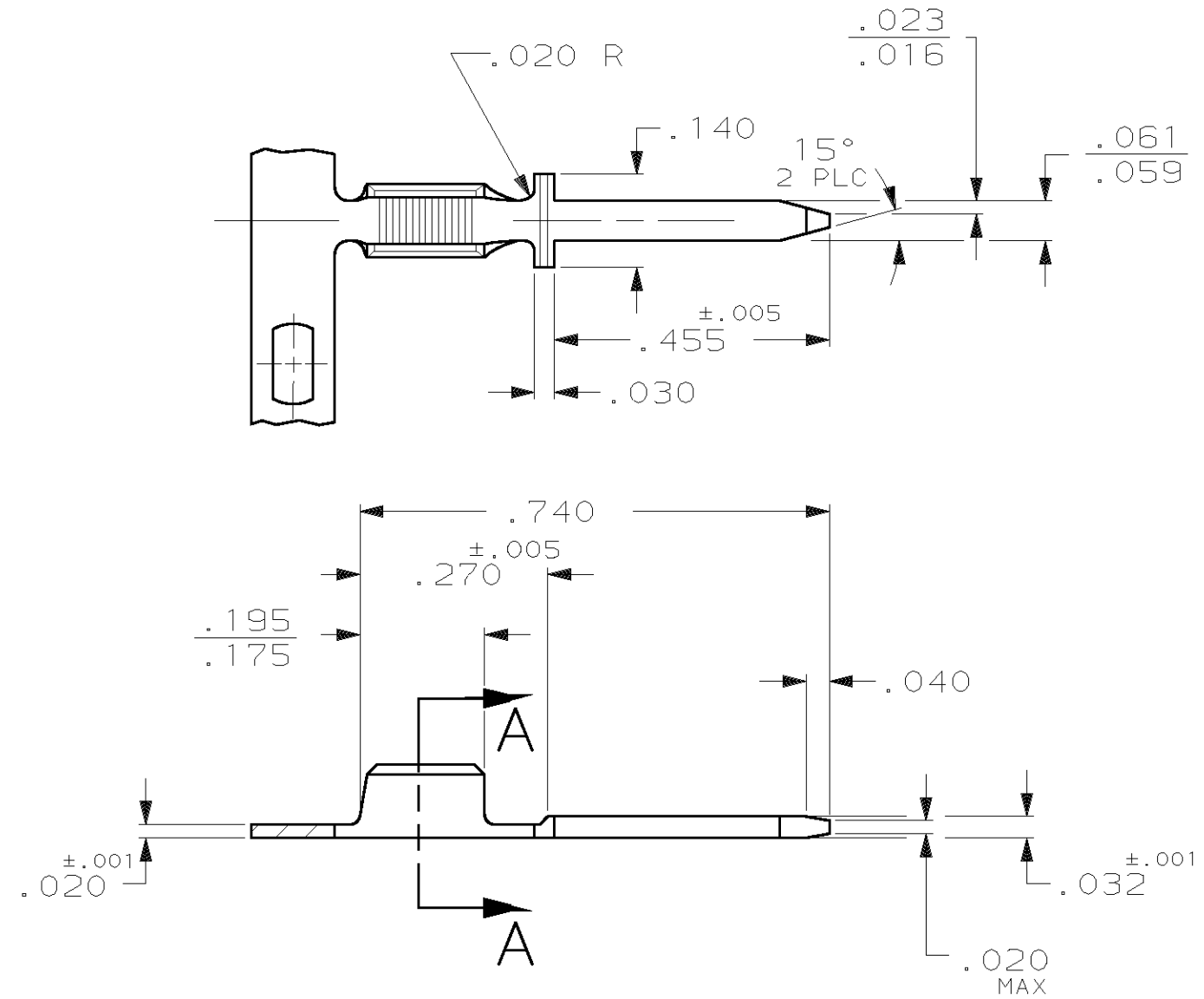


THIS DRAWING IS UNPUBLISHED. RELEASED FOR PUBLICATION .19
 © COPYRIGHT 19 BY AMP INCORPORATED, HARRISBURG, PA. ALL INTERNATIONAL RIGHTS RESERVED. AMP PRODUCTS MAY BE COVERED BY U.S. AND FOREIGN PATENTS AND/OR PATENTS PENDING.

LOC	DIST	P	F	ZONE	LTR	DESCRIPTION	DATE	APPROVED
AF	50				H	ADDED -2 PER 0L10-0466-97	11/19/97	

REVISIONS		
NO	DESCRIPTION	DATE
2	ADDED -2 PER 0L10-0466-97	11/19/97

1 - CONTINUOUS STRIP ON REELS.
 2 - REVERSE REELING OF 63497-1.



SECTION A-A
SCALE 8:1

23-19 MAGNET	63497-2
23-19 MAGNET	63497-1
WIRE BARREL	PART NO

UNLESS OTHERWISE SPECIFIED DIMENSIONS ARE IN INCHES TOLERANCES ON: 2 PL DEC ± _____ 3 PL DEC ± .010 ANGLES ± _____		DR 5/27/88 JR RUTH		AMP INCORPORATED Harrisburg, Pa. 17105	
MATERIAL #2H PREMILLED BRASS		CHK 5/27/88 MS FEHER			
FINISH TIN .000080 MIN		APPD 5/27/88 C MEYERS		NAME TAB, AMPLIVAR	
		APPD 5/27/88 R KUZO		SIZE B	
		PRODUCT SPEC		FSCM NO 00779	
		APPLICATION SPEC		DRAWING NO 63497	
		WEIGHT _____		SCALE 4:1	
				SHEET 1 OF 1	