



Chipsmall Limited consists of a professional team with an average of over 10 year of expertise in the distribution of electronic components. Based in Hongkong, we have already established firm and mutual-benefit business relationships with customers from,Europe,America and south Asia,supplying obsolete and hard-to-find components to meet their specific needs.

With the principle of "Quality Parts,Customers Priority,Honest Operation,and Considerate Service",our business mainly focus on the distribution of electronic components. Line cards we deal with include Microchip,ALPS,ROHM,Xilinx,Pulse,ON,Everlight and Freescale. Main products comprise IC,Modules,Potentiometer,IC Socket,Relay,Connector.Our parts cover such applications as commercial,industrial, and automotives areas.

We are looking forward to setting up business relationship with you and hope to provide you with the best service and solution. Let us make a better world for our industry!



## Contact us

Tel: +86-755-8981 8866 Fax: +86-755-8427 6832

Email & Skype: info@chipsmall.com Web: www.chipsmall.com

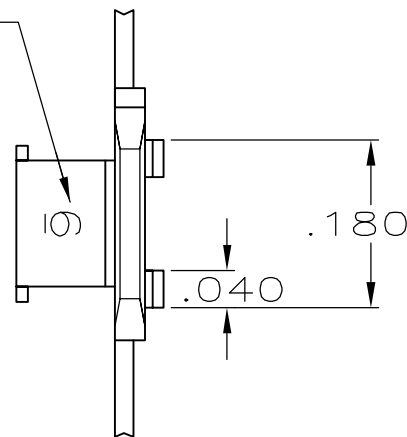
Address: A1208, Overseas Decoration Building, #122 Zhenhua RD., Futian, Shenzhen, China



THIS DRAWING IS UNPUBLISHED. RELEASED FOR PUBLICATION ,19  
 © COPYRIGHT 19 BY AMP INCORPORATED. ALL INTERNATIONAL RIGHTS RESERVED.

LOC	DIST	P	F	REVISIONS				
AF	50			ZONE	LTR	DESCRIPTION	DATE	APPD
					E	REV PER ECR 06-010492	02OCT06	JR/GP

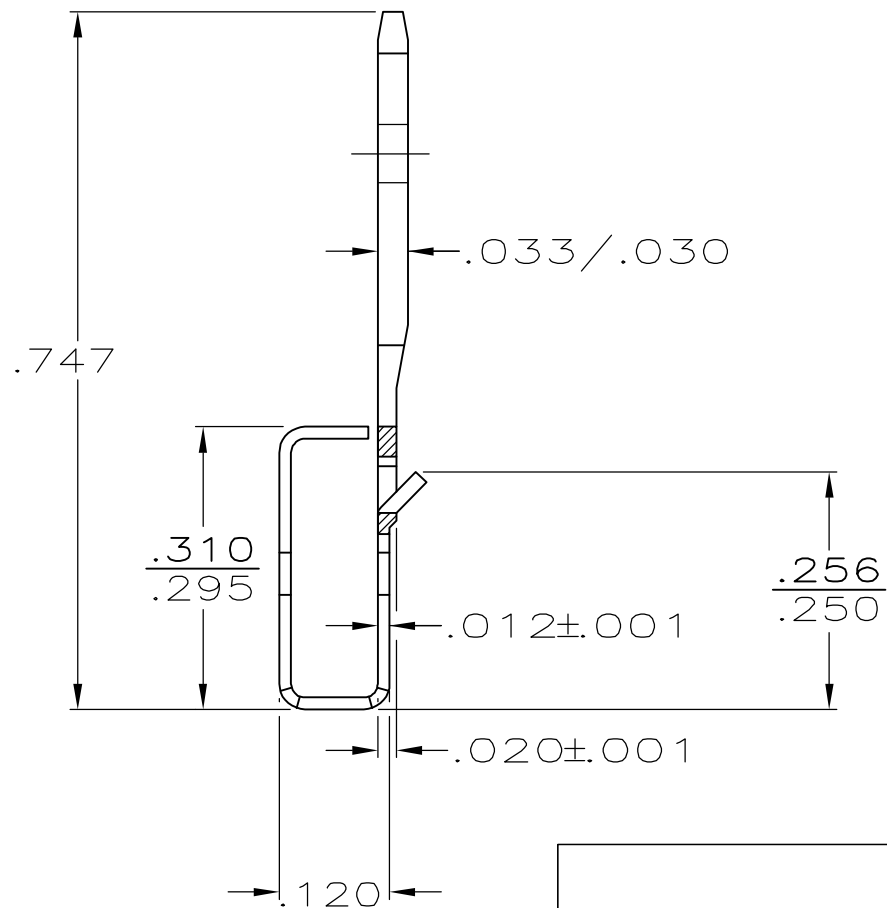
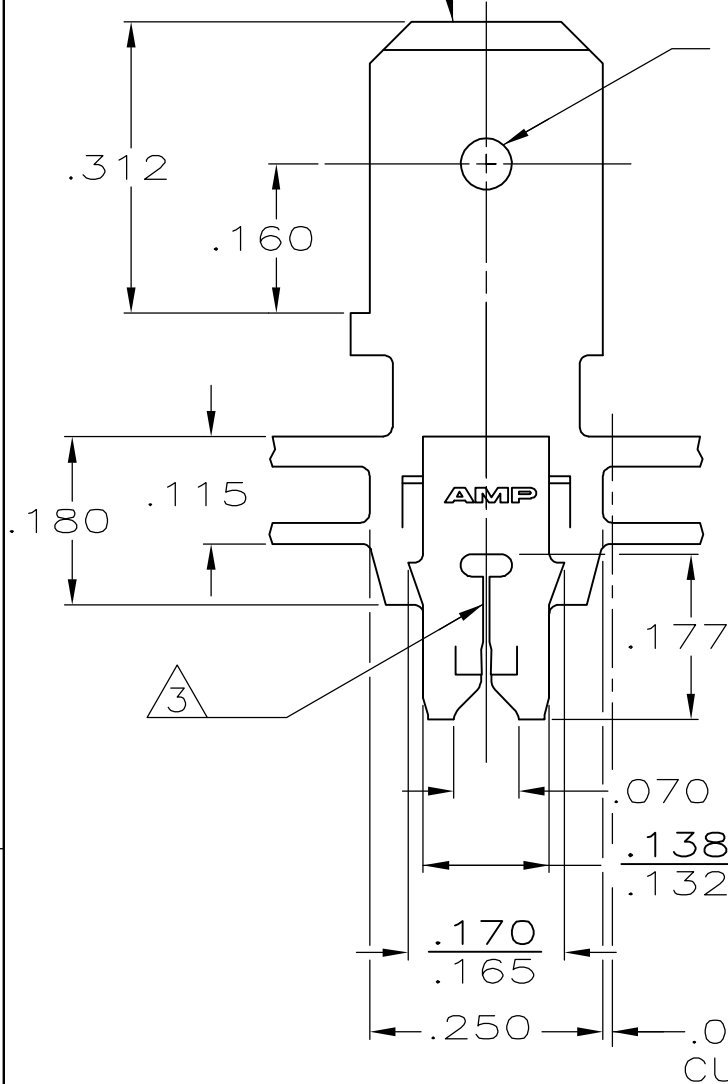
IDENTIFICATION NUMBER FOR MAGNET WIRE RANGE



- 1 MAG-MATE CAVITY SPECIFICATION.
- 2 CONTINUOUS STRIP ON REELS WITH TERMINALS LOCATED ON  $.330 \pm .003$  CENTERS.
- 3 SLOT TERMINATES EITHER SINGLE OR DOUBLE MAGNET WIRES OF THE SAME TYPE AND SIZE, COPPER RANGE IS #30-#27 AWG.

FITS .250 SERIES FASTON RECEPTACLE

.070  
.065 DIA HOLE



082 PRE-MILLED BRASS	63499-2
4M PRE-MILLED BRASS	63499-1
FINISH	PART NO

DO NOT SCALE PRINT. UNLESS SPECIFIED DIMENSIONS IN INCHES TOLERANCES ON: 2 PLC DEC ± - 3 PLC DEC ± .010 ANGLES ± -	DR M.S. FEHER 6/30/88	AMP INCORPORATED Harrisburg, Pa. 17105	
	CHK JR RUTH 7/7/88		
MATERIAL SEE TABLE	APPD N.E. NEFF 7/8/88		NAME TAB, 250 FASTON,™ MAG-MATE™
FINISH .000080 MIN TIN	APPD C G ATHERTON 7/8/88		SIZE <b>B</b> FSCM NO 00779 DRAWING NO 63499
	PRODUCT SPEC 108-2012	SCALE 5:1 SHEET 1 OF 1	
	APPLICATION SPEC 114-2094 1		
	WEIGHT -		