



Chipsmall Limited consists of a professional team with an average of over 10 year of expertise in the distribution of electronic components. Based in Hongkong, we have already established firm and mutual-benefit business relationships with customers from,Europe,America and south Asia,supplying obsolete and hard-to-find components to meet their specific needs.

With the principle of "Quality Parts,Customers Priority,Honest Operation,and Considerate Service",our business mainly focus on the distribution of electronic components. Line cards we deal with include Microchip,ALPS,ROHM,Xilinx,Pulse,ON,Everlight and Freescale. Main products comprise IC,Modules,Potentiometer,IC Socket,Relay,Connector.Our parts cover such applications as commercial,industrial, and automotives areas.

We are looking forward to setting up business relationship with you and hope to provide you with the best service and solution. Let us make a better world for our industry!



## Contact us

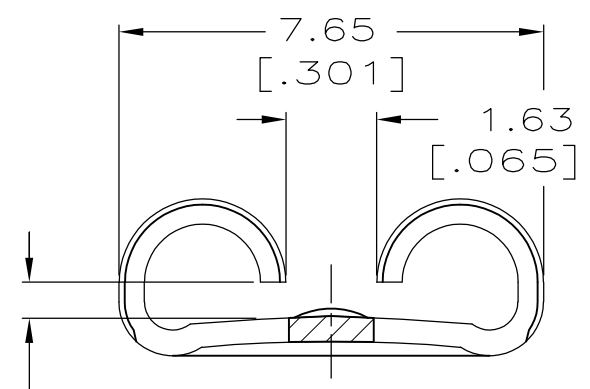
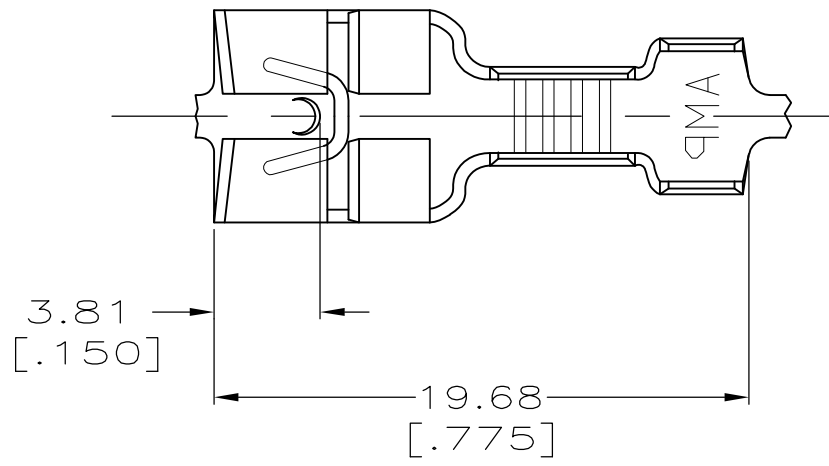
Tel: +86-755-8981 8866 Fax: +86-755-8427 6832

Email & Skype: info@chipsmall.com Web: www.chipsmall.com

Address: A1208, Overseas Decoration Building, #122 Zhenhua RD., Futian, Shenzhen, China



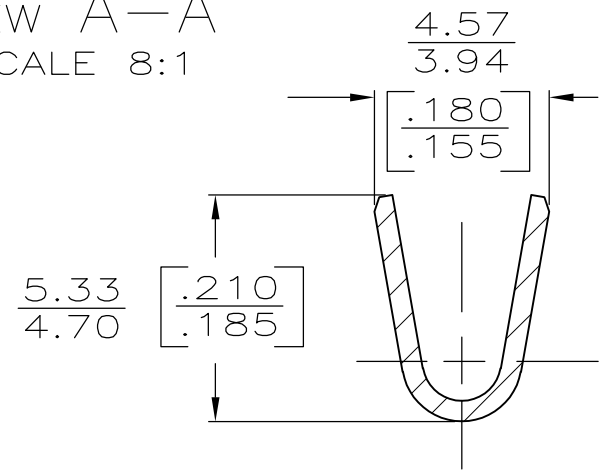
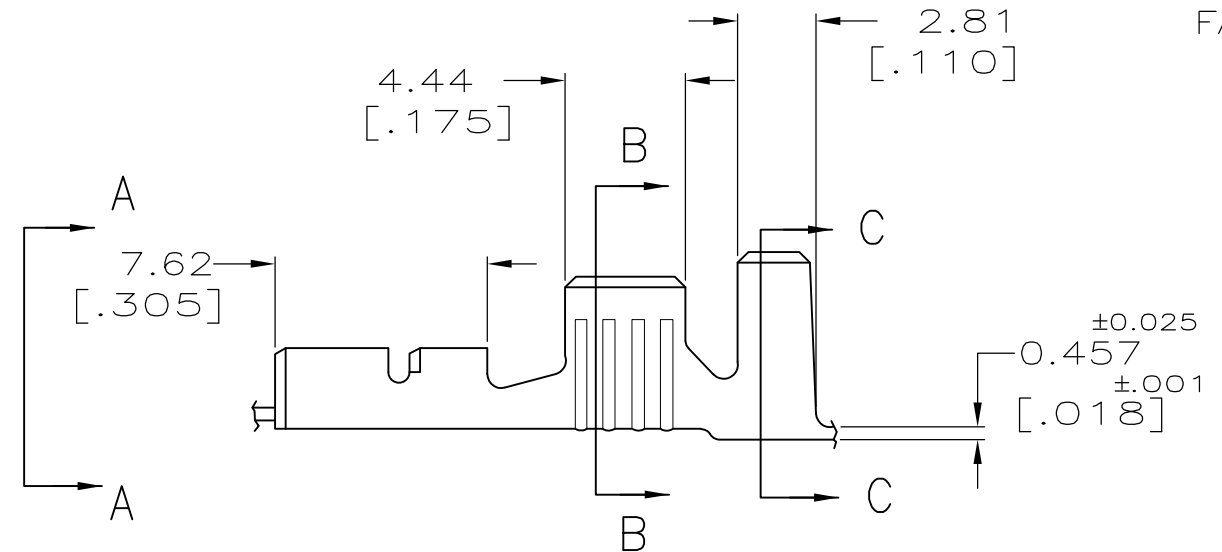
LOC	DIST	REVISIONS					
AF	50	P	LTR	DESCRIPTION	DATE	DWN	APVD
		E		REVISED PER ECR-12-013518	24NOV12	KH	PD



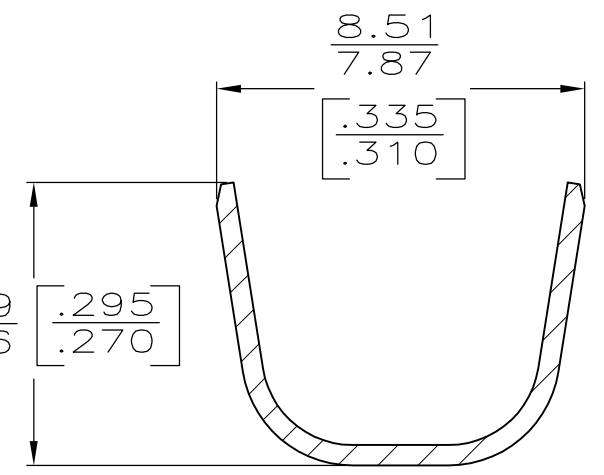
- CONTINUOUS STRIP ON REELS.
- MATING TAB THK TO BE 0.813±0.025 [.032±.001]

FITS 6.35 [.250] SERIES FASTON TAB

VIEW A-A  
SCALE 8:1



SECTION B-B  
SCALE 6:1



SECTION C-C  
SCALE 6:1

5.72-6.95 OR (2) 3.56 MAX [.225-.275 OR (2).140 MAX]	2-5mm <sup>2</sup> OR (2) 5mm <sup>2</sup> [14-10 OR 2#14]	-	63539-2
		TIN	63539-1
INSULATION RANGE	WIRE SIZE	FINISH	PART NO

F	7.87 [.310]	5.59 [.220]	F	3.56 [.140]	1.930 [076]	2.0mm <sup>2</sup> [14]
					2.235 [088]	3.0mm <sup>2</sup> [12]
					2.692 [106]	5.0mm <sup>2</sup> [10]
TYPE	WIDTH	STRIP LENGTH ±0.38 [±.015]	TYPE	WIDTH	±.051 [±.002] HEIGHT	WIRE
INSUL BARREL CRIMP			WIRE BARREL CRIMP			

THIS DRAWING IS A CONTROLLED DOCUMENT.

DIMENSIONS: mm [INCHES]	TOLERANCES UNLESS OTHERWISE SPECIFIED:
	0 PLC ± -
	1 PLC ± -
	2 PLC ± -
	3 PLC ± 0.25 [.010]
	4 PLC ± -
	ANGLES ± -
MATERIAL BRASS	FINISH SEE TABLE

DWN JR RUTH 7/31/89  
 CHK MS FEHER 7/31/89  
 APVD C MEYERS 7/31/89

**STE** TE Connectivity

NAME: RECEPTACLE, FASTON, .250 SERIES

SIZE	CAGE CODE	DRAWING NO	RESTRICTED TO
A3	00779	C-63539	-

WEIGHT - APPLICATION SPEC - PRODUCT SPEC -

CUSTOMER DRAWING SCALE 4:1 SHEET 1 OF 1 REV E