



Chipsmall Limited consists of a professional team with an average of over 10 year of expertise in the distribution of electronic components. Based in Hongkong, we have already established firm and mutual-benefit business relationships with customers from,Europe,America and south Asia,supplying obsolete and hard-to-find components to meet their specific needs.

With the principle of “Quality Parts,Customers Priority,Honest Operation,and Considerate Service”,our business mainly focus on the distribution of electronic components. Line cards we deal with include Microchip,ALPS,ROHM,Xilinx,Pulse,ON,Everlight and Freescale. Main products comprise IC,Modules,Potentiometer,IC Socket,Relay,Connector.Our parts cover such applications as commercial,industrial, and automotives areas.

We are looking forward to setting up business relationship with you and hope to provide you with the best service and solution. Let us make a better world for our industry!



## Contact us

Tel: +86-755-8981 8866 Fax: +86-755-8427 6832

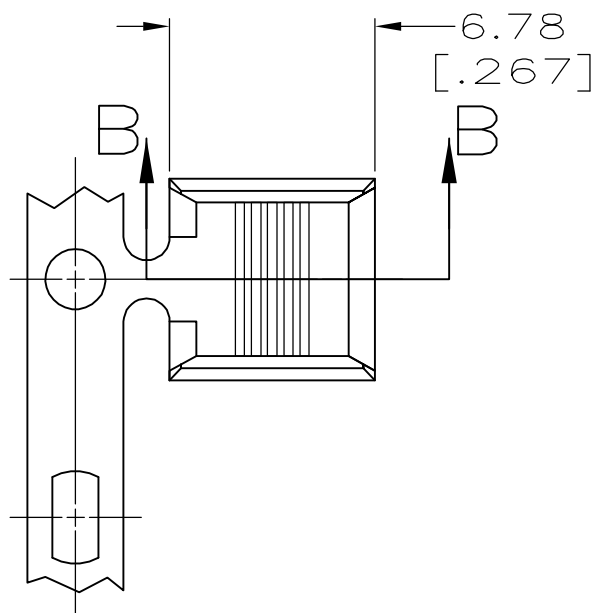
Email & Skype: info@chipsmall.com Web: www.chipsmall.com

Address: A1208, Overseas Decoration Building, #122 Zhenhua RD., Futian, Shenzhen, China

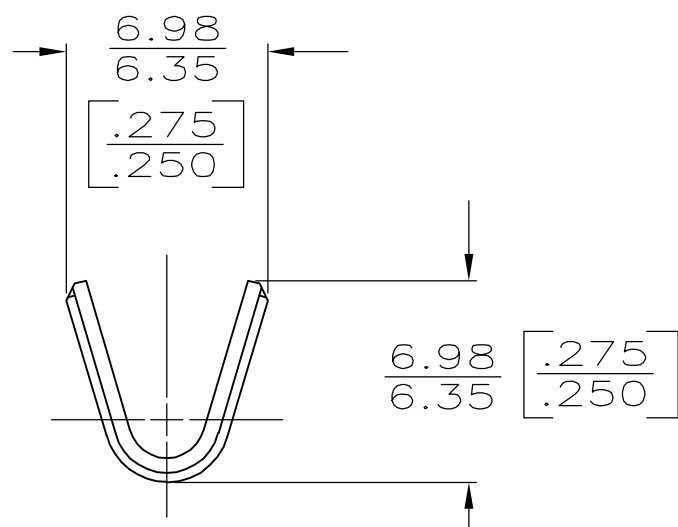


THIS DRAWING IS UNPUBLISHED. RELEASED FOR PUBLICATION  
 © COPYRIGHT BY TYCO ELECTRONICS CORPORATION. ALL RIGHTS RESERVED.

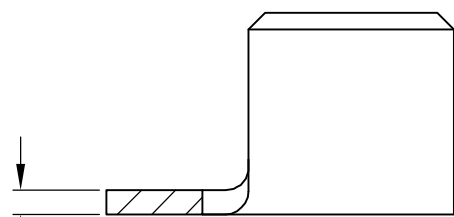
LOC	DIST	REVISIONS					
AF	50	P	LTR	DESCRIPTION	DATE	DWN	APVD
			C1	ECR-06-023927(REDRAWN IN AUTOCAD)	14NOV06	HMR	GP



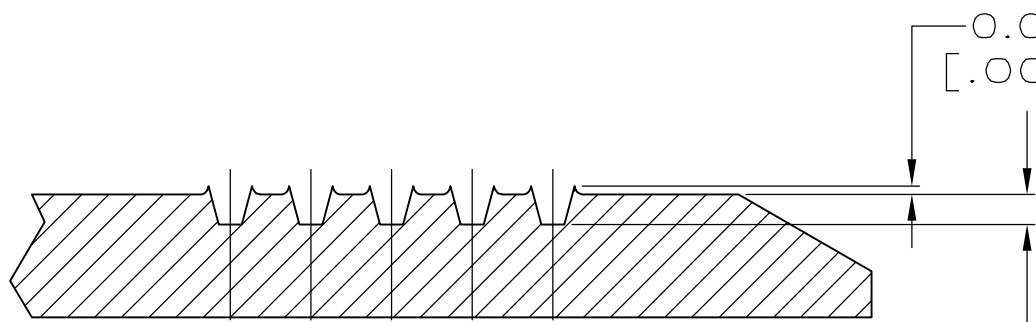
1 CONTINUOUS STRIP ON REEL.  
 2 CRIMP WIDTH: .180 F TYPE (AMPLIVAR THRU)  
 CRIMP HEIGHT ( $\pm 0.002$ ) = (TOTAL CMA + 28,700) / 317,400  
 GENERAL APPLICATION GUIDELINES MUST BE FOLLOWED AS SPECIFIED IN CATALOG #82221  
 FOR APPLICATION INFORMATION CALL: 1-800-722-1111  
 FOR PRODUCT INFORMATION CALL: 1-800-522-6752



0.80 $\pm$ 0.025  
 [.032 $\pm$ .001]



0.08 MAX  
 [.003]



SECTION B-B  
 SCALE 20:1

2	10,000-16,000 CMA	63561-1
WIRE RANGE		PART NUMBER

THIS DRAWING IS A CONTROLLED DOCUMENT.		DWN 05JUN2002 MICHAEL S. FEHER	Tyco Electronics Corporation Harrisburg, PA 17105-3608	
DIMENSIONS: mm [INCHES]		CHK 05JUN2002 GARY D. PORTA	NAME	
TOLERANCES UNLESS OTHERWISE SPECIFIED:		APVD 05JUN2002 GARY D. PORTA	SPLICE, AMPLIVAR™, 5 SERRATIONS	
0 PLC ± -		PRODUCT SPEC	SIZE	CAGE CODE
1 PLC ± -		APPLICATION SPEC	A3	00779
2 PLC ± 0.25 [.010]		WEIGHT	DRAWING NO	
3 PLC ± -		-	C-63561	
4 PLC ± -		CUSTOMER DRAWING	RESTRICTED TO	-
ANGLES ± -		SCALE 4:1	SHEET 1 OF 1	REV C1
MATERIAL	FINISH			
H02 BRASS	0.002032[.000080] MIN TIN PLATE			