



Chipsmall Limited consists of a professional team with an average of over 10 year of expertise in the distribution of electronic components. Based in Hongkong, we have already established firm and mutual-benefit business relationships with customers from,Europe,America and south Asia,supplying obsolete and hard-to-find components to meet their specific needs.

With the principle of “Quality Parts,Customers Priority,Honest Operation,and Considerate Service”,our business mainly focus on the distribution of electronic components. Line cards we deal with include Microchip,ALPS,ROHM,Xilinx,Pulse,ON,Everlight and Freescale. Main products comprise IC,Modules,Potentiometer,IC Socket,Relay,Connector.Our parts cover such applications as commercial,industrial, and automotives areas.

We are looking forward to setting up business relationship with you and hope to provide you with the best service and solution. Let us make a better world for our industry!



Contact us

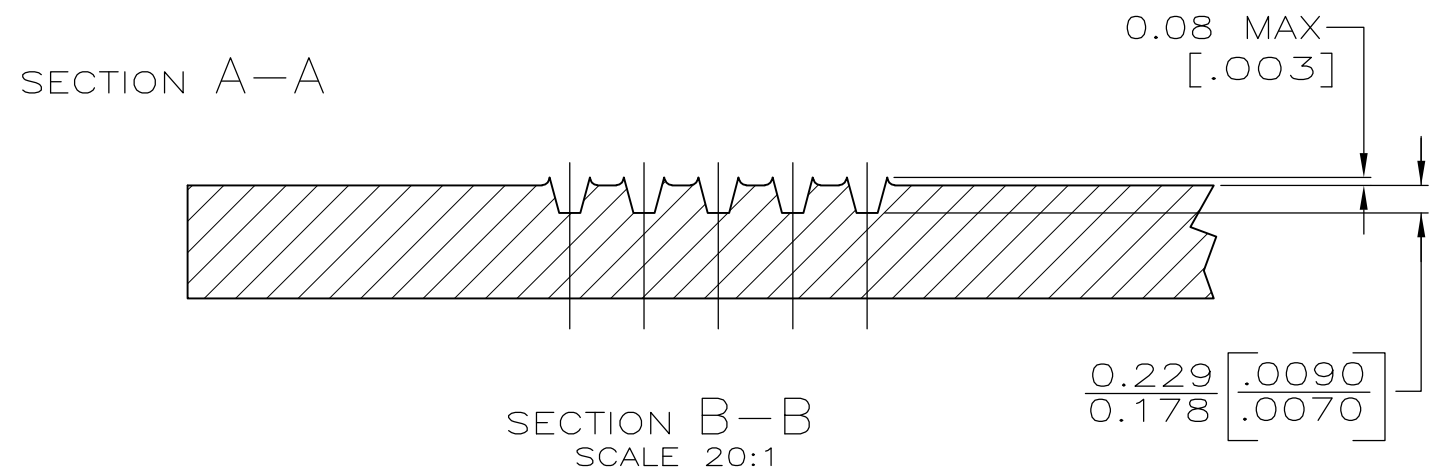
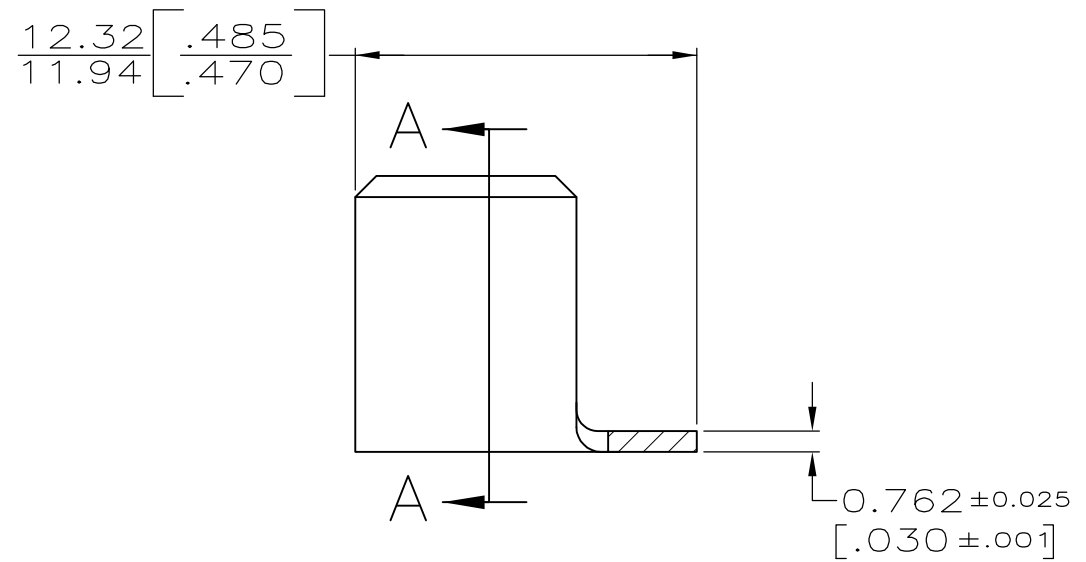
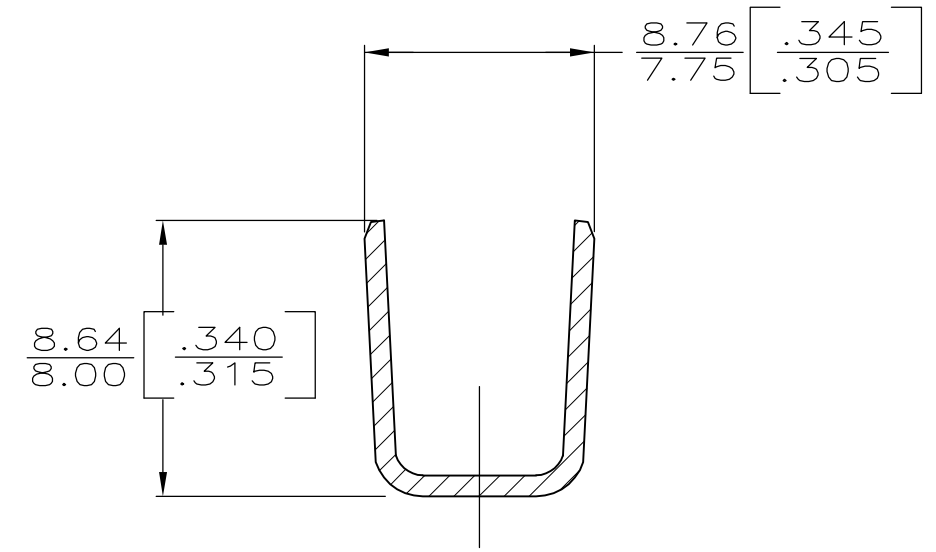
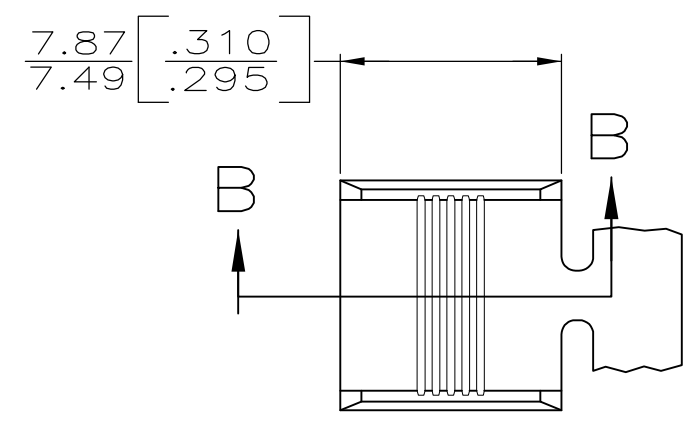
Tel: +86-755-8981 8866 Fax: +86-755-8427 6832

Email & Skype: info@chipsmall.com Web: www.chipsmall.com

Address: A1208, Overseas Decoration Building, #122 Zhenhua RD., Futian, Shenzhen, China



LOC	DIST	REVISIONS					
AF	50	P	LTR	DESCRIPTION	DATE	DWN	APVD
			F1	REVISED PER ECR-07-029650	11DEC07	HMR	GP



1 PRODUCT PROVIDED IN STRIP FORM ON REELS;
 BREAKS MAY BE PRESENT.

2 CRIMP WIDTH: .300, F TYPE (AMPLIVAR THRU)
 CRIMP HEIGHT $\pm 0.002 = (\text{TOTAL CMA} + 44,500) / 510,200$
 GENERAL APPLICATION GUIDELINES MUST BE FOLLOWED
 AS SPECIFIED IN CATALOG #82221
 FOR APPLICATOR INFORMATION CALL: 1-800-722-1111
 FOR PRODUCT INFORMATION CALL: 1-800-522-6752

10,400 TO 22,900 CMA	63562-1
2 WIRE RANGE	PART NO

THIS DRAWING IS A CONTROLLED DOCUMENT.		DWN	D.K. SCHRUM	11/30/89	Tyco Electronics Corporation Harrisburg, PA 17105-3608		
DIMENSIONS: mm [INCHES]		CHK	M.S. FEHER	12/6/89	NAME SPLICE, AMPLIVAR 5 SERRATION		
TOLERANCES UNLESS OTHERWISE SPECIFIED:		APVD	D. SCHWENK	12/8/89	PRODUCT SPEC		
0 PLC ± -		APPLICATION SPEC		SIZE			
1 PLC ± -		WEIGHT		A3		CAGE CODE	00779
2 PLC ± -		CUSTOMER DRAWING		DRAWING NO		C-63562	
3 PLC ± 0.25[.010]		SCALE		4:1		RESTRICTED TO	
4 PLC ± -		SHEET		1 OF 1		REV	
ANGLES ± -		TIN PL THK		0.002032[.000080] MIN		F1	
MATERIAL		#1 HARD BRASS		FINISH		TIN PL THK	