



Chipsmall Limited consists of a professional team with an average of over 10 year of expertise in the distribution of electronic components. Based in Hongkong, we have already established firm and mutual-benefit business relationships with customers from,Europe,America and south Asia,supplying obsolete and hard-to-find components to meet their specific needs.

With the principle of "Quality Parts,Customers Priority,Honest Operation,and Considerate Service",our business mainly focus on the distribution of electronic components. Line cards we deal with include Microchip,ALPS,ROHM,Xilinx,Pulse,ON,Everlight and Freescale. Main products comprise IC,Modules,Potentiometer,IC Socket,Relay,Connector.Our parts cover such applications as commercial,industrial, and automotives areas.

We are looking forward to setting up business relationship with you and hope to provide you with the best service and solution. Let us make a better world for our industry!



Contact us

Tel: +86-755-8981 8866 Fax: +86-755-8427 6832

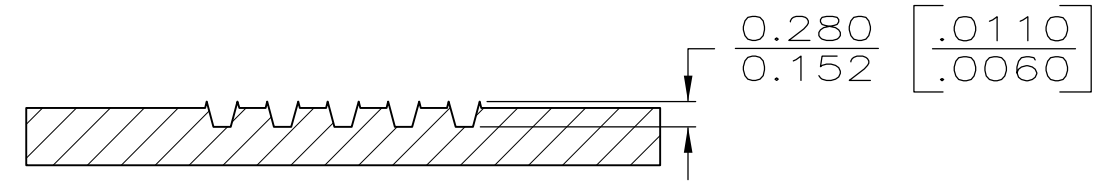
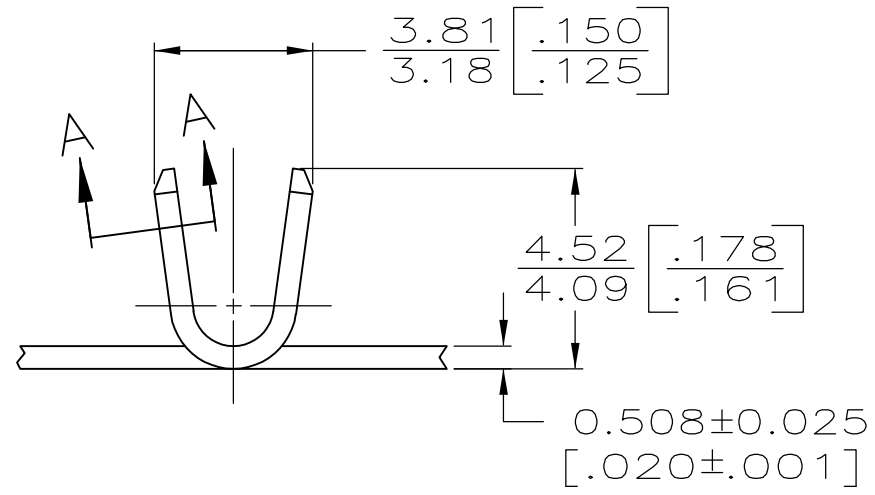
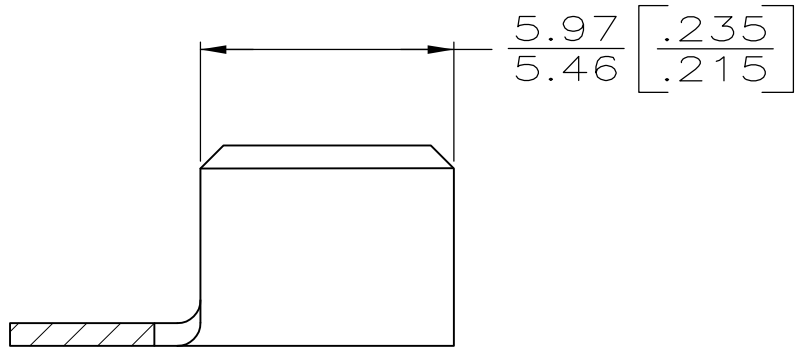
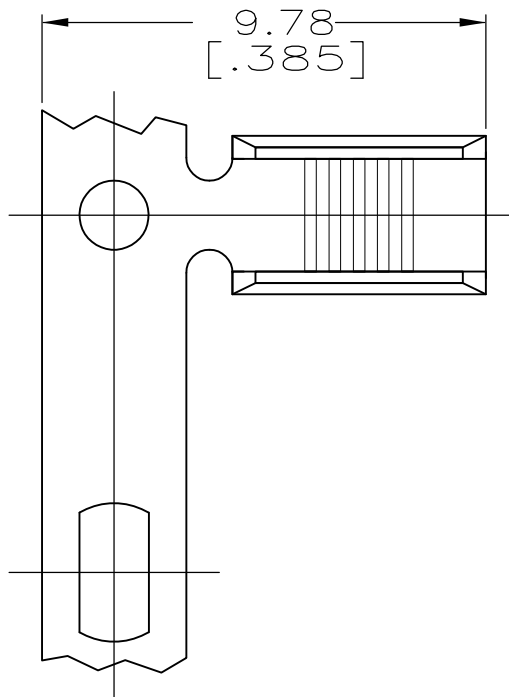
Email & Skype: info@chipsmall.com Web: www.chipsmall.com

Address: A1208, Overseas Decoration Building, #122 Zhenhua RD., Futian, Shenzhen, China



THIS DRAWING IS UNPUBLISHED. RELEASED FOR PUBLICATION
 © COPYRIGHT BY TYCO ELECTRONICS CORPORATION. ALL INTERNATIONAL RIGHTS RESERVED.

| LOC | DIST | REVISIONS | | | |
|-----|------|-------------|---------------------------|---------|--------|
| P | LTR | DESCRIPTION | DATE | DWN | APVD |
| AF | 50 | C1 | REVISED PER ECR-10-001322 | 23JAN10 | HMR GP |



SECTION A-A
 SCALE 15:1
 ROTATED

- 1 CONTINUOUS STRIP ON REELS.
- 2 CRIMP WIDTH = .110 F TYPE (AMPLIVAR THRU)
 CRIMP HEIGHT (±.002) = (TOTAL CMA + 11,500) / 194,200
 GENERAL APPLICATION GUIDELINES MUST BE FOLLOWED
 AS SPECIFIED IN CATALOG #82221
 FOR APPLICATOR INFORMATION CALL: 1-800-722-1111
 FOR PRODUCT INFORMATION CALL: 1-800-522-6752
- 3 TIN 112-16-3 0.00203 [.000080] MIN THK

| | |
|-----------------|-----------|
| 2 2000-5400 CMA | 3 63564-3 |
| | 63564-1 |
| WIRE RANGE | PART NO |

| | | | | |
|--|---|----------------------------------|---|---------------|
| THIS DRAWING IS A CONTROLLED DOCUMENT. | | DWN 12/20/89 MICHAEL S. FEHER | Tyco Electronics Corporation Harrisburg, PA 17105-3608 | |
| DIMENSIONS: mm [INCHES] | TOLERANCES UNLESS OTHERWISE SPECIFIED: | CHK 12/21/89 P. FORTNEY | NAME SPLICE, AMPLIVAR, 5 SERRATIONS | |
| | 0 PLC ± - | APVD 1/2/90 T.L. SHUTTER | PRODUCT SPEC | |
| | 1 PLC ± - | PRODUCT SPEC | APPLICATION SPEC | |
| MATERIAL | FINISH | 114-2009 | SIZE | CAGE CODE |
| #2 HARD BRASS | - | WEIGHT - | A3 | 00779 |
| CUSTOMER DRAWING | | | DRAWING NO | RESTRICTED TO |
| | | | C-63564 | - |
| | | | SCALE 6:1 | SHEET 1 OF 1 |
| | | | REV C1 | |

