



Chipsmall Limited consists of a professional team with an average of over 10 year of expertise in the distribution of electronic components. Based in Hongkong, we have already established firm and mutual-benefit business relationships with customers from,Europe,America and south Asia,supplying obsolete and hard-to-find components to meet their specific needs.

With the principle of "Quality Parts,Customers Priority,Honest Operation,and Considerate Service",our business mainly focus on the distribution of electronic components. Line cards we deal with include Microchip,ALPS,ROHM,Xilinx,Pulse,ON,Everlight and Freescale. Main products comprise IC,Modules,Potentiometer,IC Socket,Relay,Connector.Our parts cover such applications as commercial,industrial, and automotives areas.

We are looking forward to setting up business relationship with you and hope to provide you with the best service and solution. Let us make a better world for our industry!



Contact us

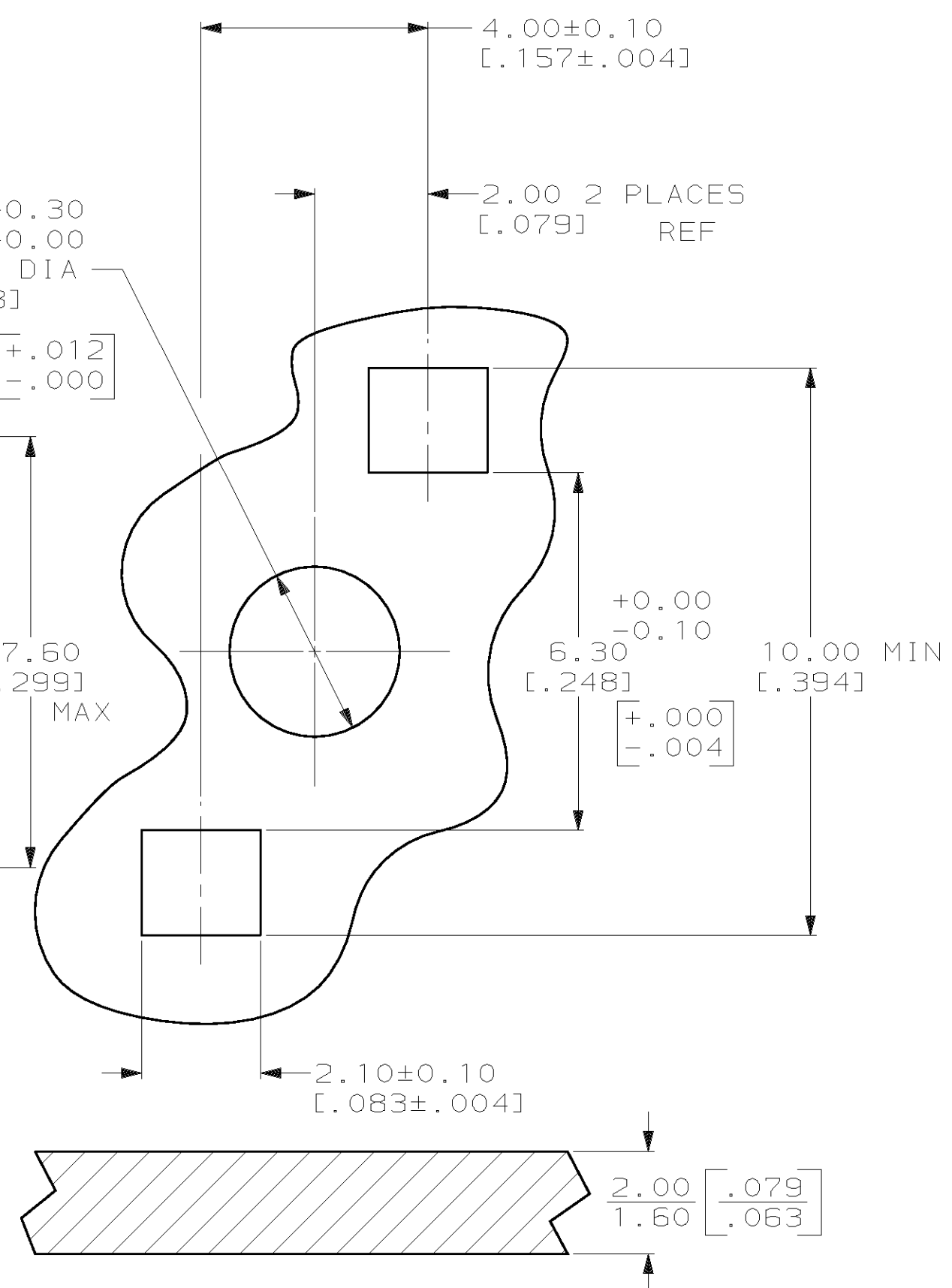
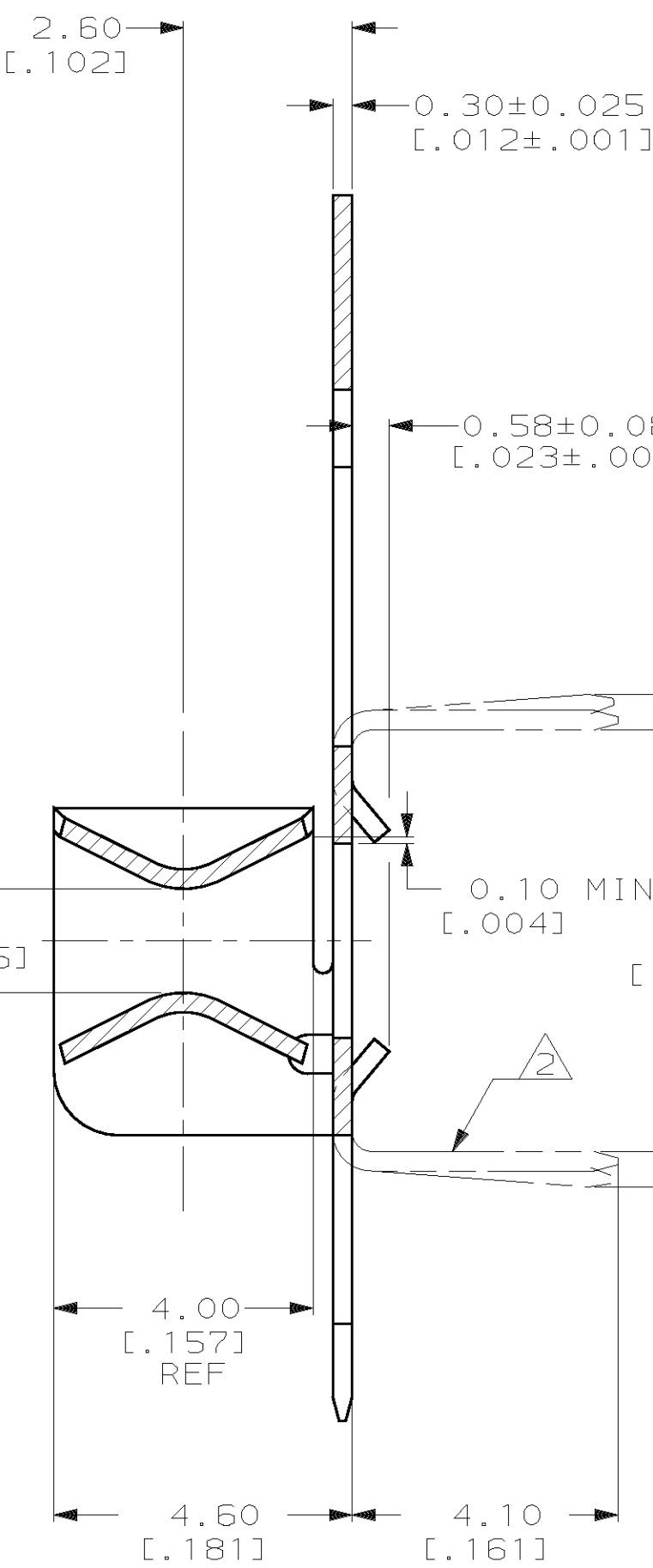
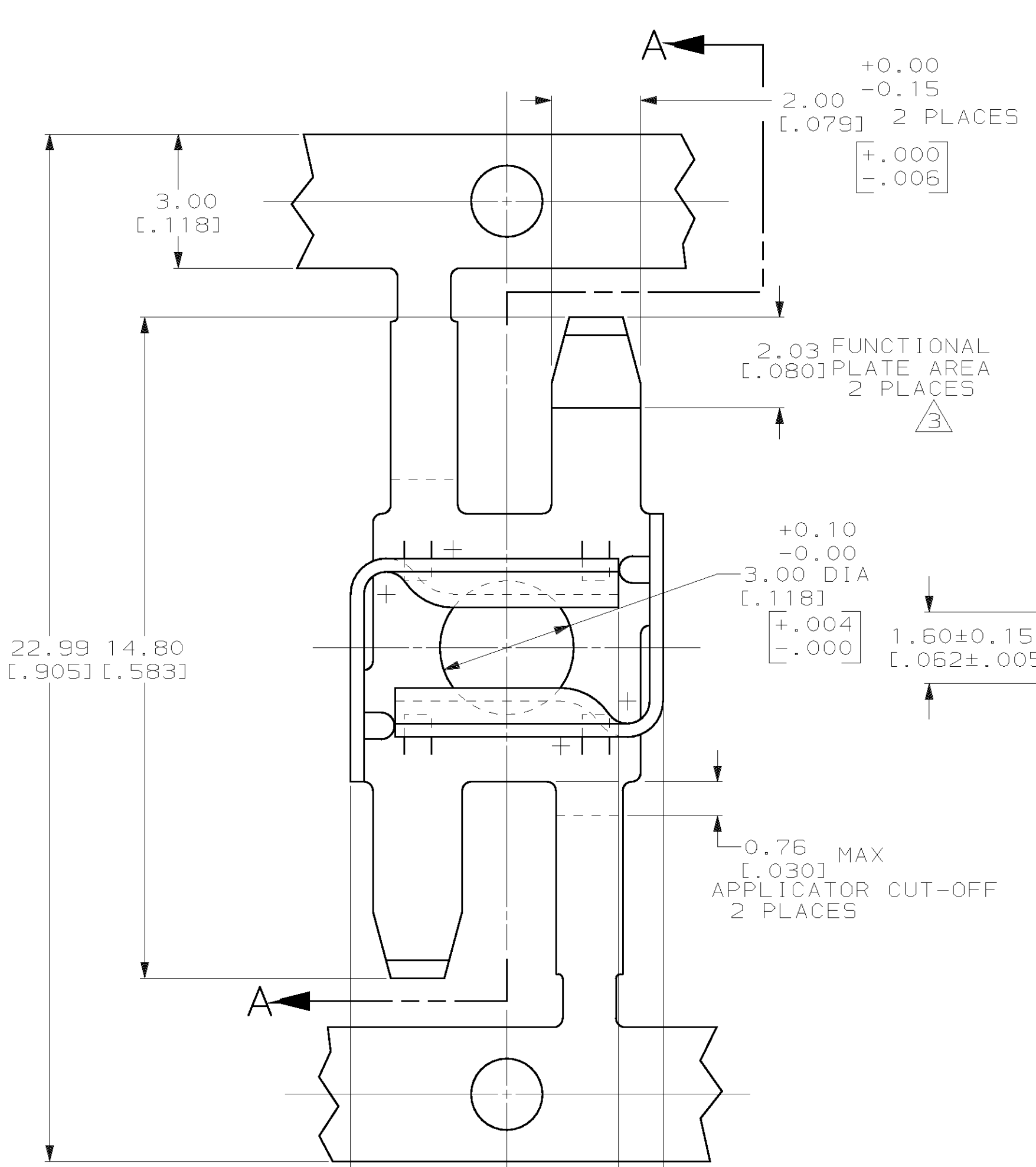
Tel: +86-755-8981 8866 Fax: +86-755-8427 6832

Email & Skype: info@chipsmall.com Web: www.chipsmall.com

Address: A1208, Overseas Decoration Building, #122 Zhenhua RD., Futian, Shenzhen, China



LOC		DIST		P		F		ZONE		LTR		REVISIONS		DATE	APPD	
AF	50												E	ADD -2 PER 0L10-0469-97	12/JAN/98	PF/JW



- 1 CONTINUOUS STRIP ON REELS.
- 2 TINES BENT 90° IN APPLICATOR PRIOR TO ASSEMBLY INTO P.C. BOARD.
- 3 0.00508 [.000200] MIN TIN IN FUNCTIONAL PLATE AREA, 0.00254 [.000100] MIN TIN ON REMAINDER.
- 4 PRODUCT COMPLIES WITH AMP SOLDERABILITY SPEC 109-11-5. WHEN PLATED AND 109-11-1 AFTER TWO YEARS OF SHELF LIFE

DO NOT SCALE PRINT. UNLESS SPECIFIED DIMENSIONS IN mm [INCHES] TOLERANCES ON : 2 PLC DEC \pm - 3 PLC DEC ± 0.25 [.010] ANGLES $\pm 1^\circ$	DR 2/2/90 MICHAEL S. FEHER
MATERIAL #4 HARD PHOSPHOR BRONZE	CHK 2/5/90 JR RUTH
FINISH 3	APPD 2/13/90 D. SCHWENK
	APPD 2/19/90 TERRY L. SHUTTER
	PRODUCT SPEC -
	APPLICATION SPEC -
	WEIGHT -

TRAVERSE WOUND	63566-2
NORMAL	63566-1
REELING	PART NO
AMP AMP INCORPORATED Harrisburg, Pa. 17105	
NAME PIN RECEPTACLE, PRINTED CIRCUIT BOARD, 2.25 [.088]-2.36 [.093] DIA	
SIZE C	CAGE CODE 00779
SCALE 10:1	DRAWING NO 63566
	SHEET 1 OF 1