



Chipsmall Limited consists of a professional team with an average of over 10 year of expertise in the distribution of electronic components. Based in Hongkong, we have already established firm and mutual-benefit business relationships with customers from,Europe,America and south Asia,supplying obsolete and hard-to-find components to meet their specific needs.

With the principle of “Quality Parts,Customers Priority,Honest Operation,and Considerate Service”,our business mainly focus on the distribution of electronic components. Line cards we deal with include Microchip,ALPS,ROHM,Xilinx,Pulse,ON,Everlight and Freescale. Main products comprise IC,Modules,Potentiometer,IC Socket,Relay,Connector.Our parts cover such applications as commercial,industrial, and automotives areas.

We are looking forward to setting up business relationship with you and hope to provide you with the best service and solution. Let us make a better world for our industry!



Contact us

Tel: +86-755-8981 8866 Fax: +86-755-8427 6832

Email & Skype: info@chipsmall.com Web: www.chipsmall.com

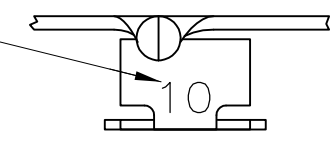
Address: A1208, Overseas Decoration Building, #122 Zhenhua RD., Futian, Shenzhen, China



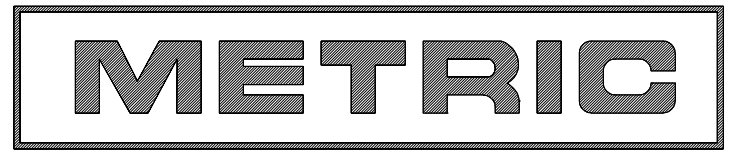
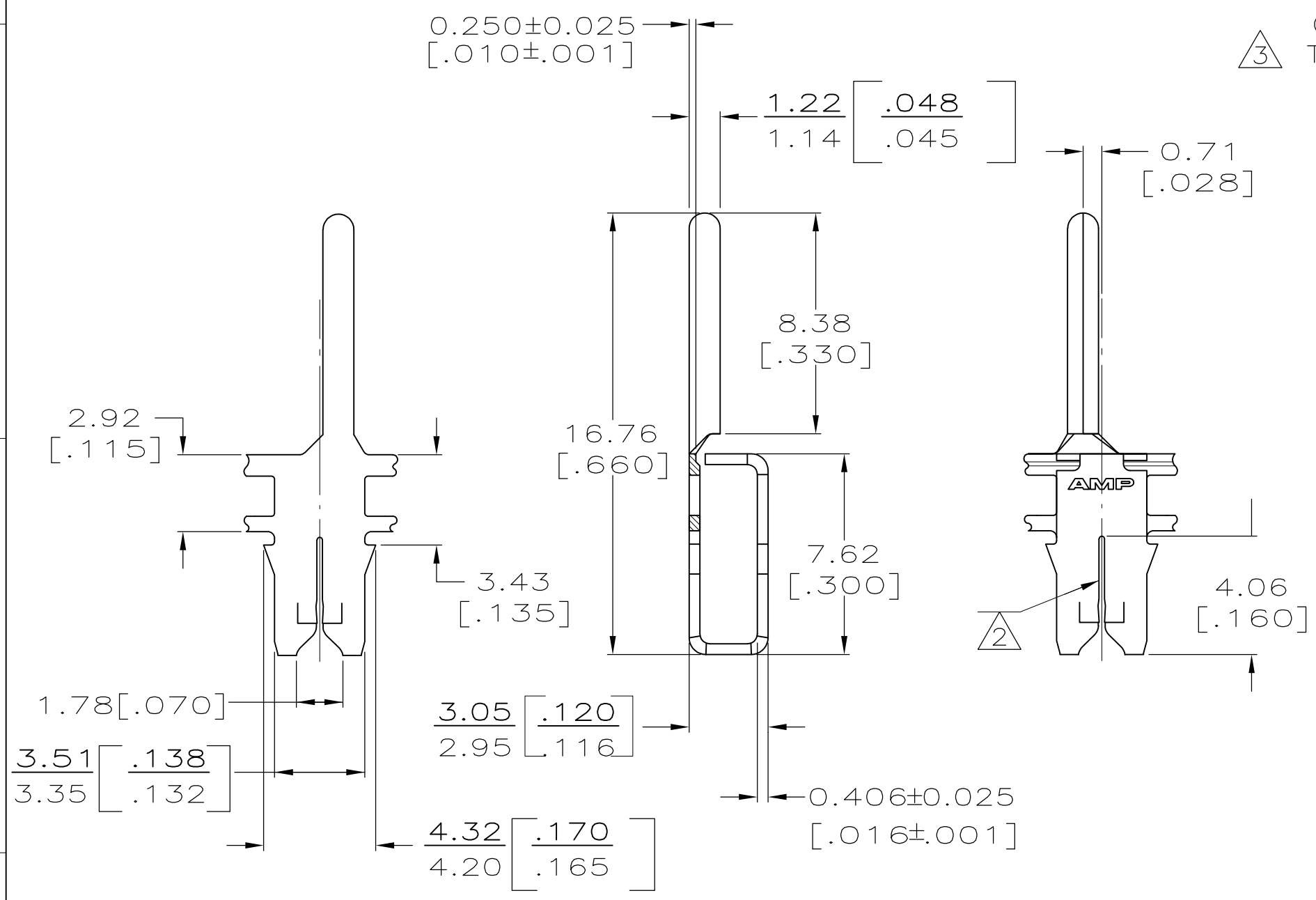
THIS DRAWING IS UNPUBLISHED. RELEASED FOR PUBLICATION
 © COPYRIGHT - By - ALL RIGHTS RESERVED.

LOC	DIST	REVISIONS			
P	LTR	DESCRIPTION	DATE	DWN	APVD
AF	50	D1	ECR-13-017177	05NOV13	PKSRRP

IDENTIFICATION NUMBER 10 FOR
MAGNET WIRE RANGE



- 1 CONTINUOUS STRIP ON REELS WITH TERMINALS LOCATED ON 5.59 [.220] CENTERS.
- 2 SLOT TERMINATES EITHER SINGLE OR DOUBLE MAGNET WIRES OF THE SAME TYPE AND SIZE, COPPER RANGE IS 0.36-0.57mm [#27-#23 AWG]
- 3 TIN PLATE PER MIL-T-10727



63570-1

THIS DRAWING IS A CONTROLLED DOCUMENT.		DWN D.K. SCHRUM 2/1/90	TE Connectivity		
DIMENSIONS: INCHES		CHK M.S. FEHER 2/2/90			
TOLERANCES UNLESS OTHERWISE SPECIFIED:		APVD D.F. DECKER 2/2/90	NAME PIN, 1.22[.048] DIA, LEFT HAND, MAG-MATE™		
0 PLC ± - 1 PLC ± - 2 PLC ± 0.15[.006] 3 PLC ± - 4 PLC ± - ANGLES ± -		PRODUCT SPEC 108-2012	RESTRICTED TO		
MATERIAL BRASS		FINISH 3	APPLICATION SPEC 114-2046	SIZE A3	CAGE CODE 00779
			WEIGHT -	DRAWING NO C-63570	
CUSTOMER DRAWING			SCALE 5:1	SHEET 1 OF 1	REV D1