



Chipsmall Limited consists of a professional team with an average of over 10 year of expertise in the distribution of electronic components. Based in Hongkong, we have already established firm and mutual-benefit business relationships with customers from,Europe,America and south Asia,supplying obsolete and hard-to-find components to meet their specific needs.

With the principle of "Quality Parts,Customers Priority,Honest Operation,and Considerate Service",our business mainly focus on the distribution of electronic components. Line cards we deal with include Microchip,ALPS,ROHM,Xilinx,Pulse,ON,Everlight and Freescale. Main products comprise IC,Modules,Potentiometer,IC Socket,Relay,Connector.Our parts cover such applications as commercial,industrial, and automotives areas.

We are looking forward to setting up business relationship with you and hope to provide you with the best service and solution. Let us make a better world for our industry!



Contact us

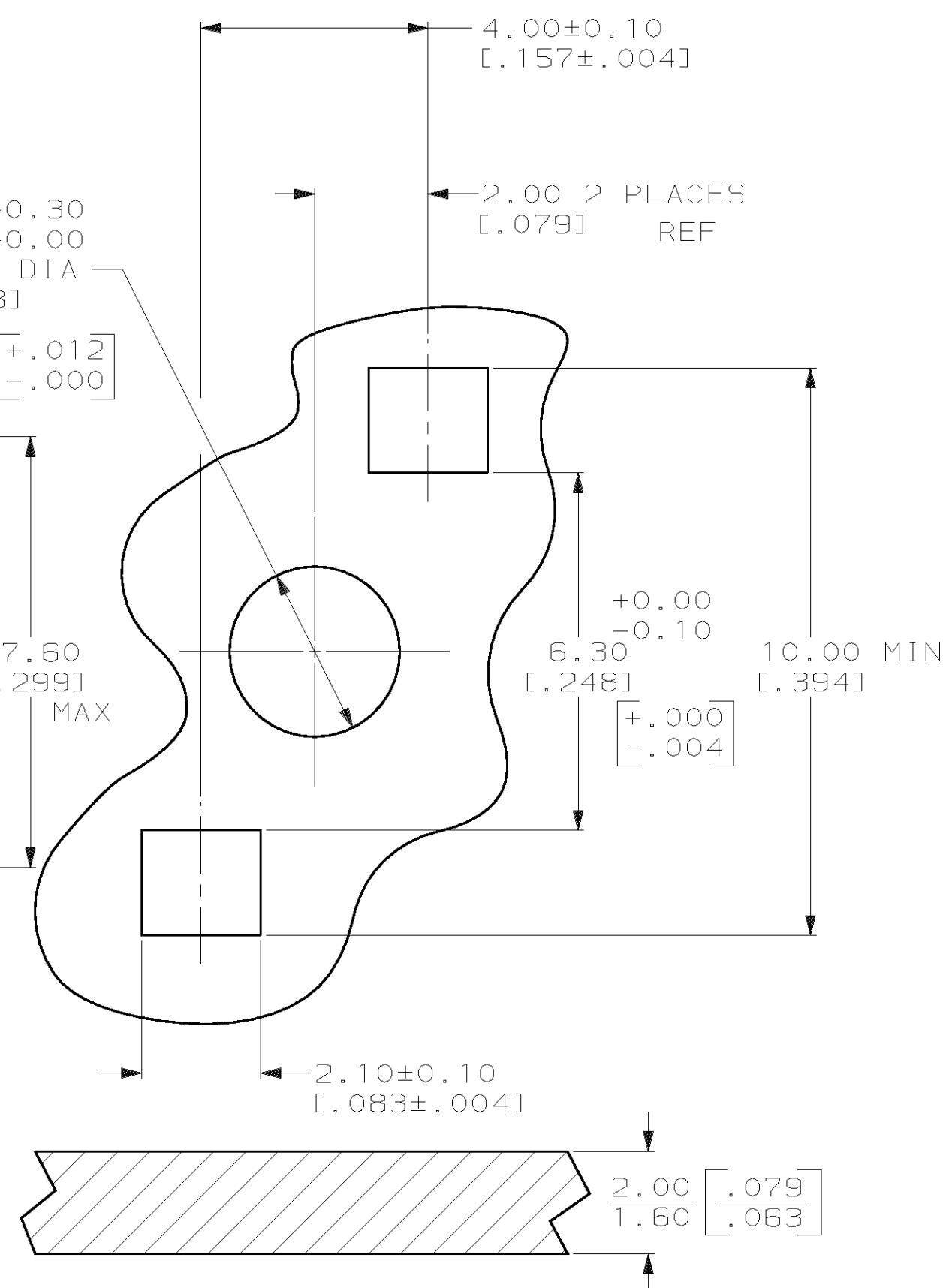
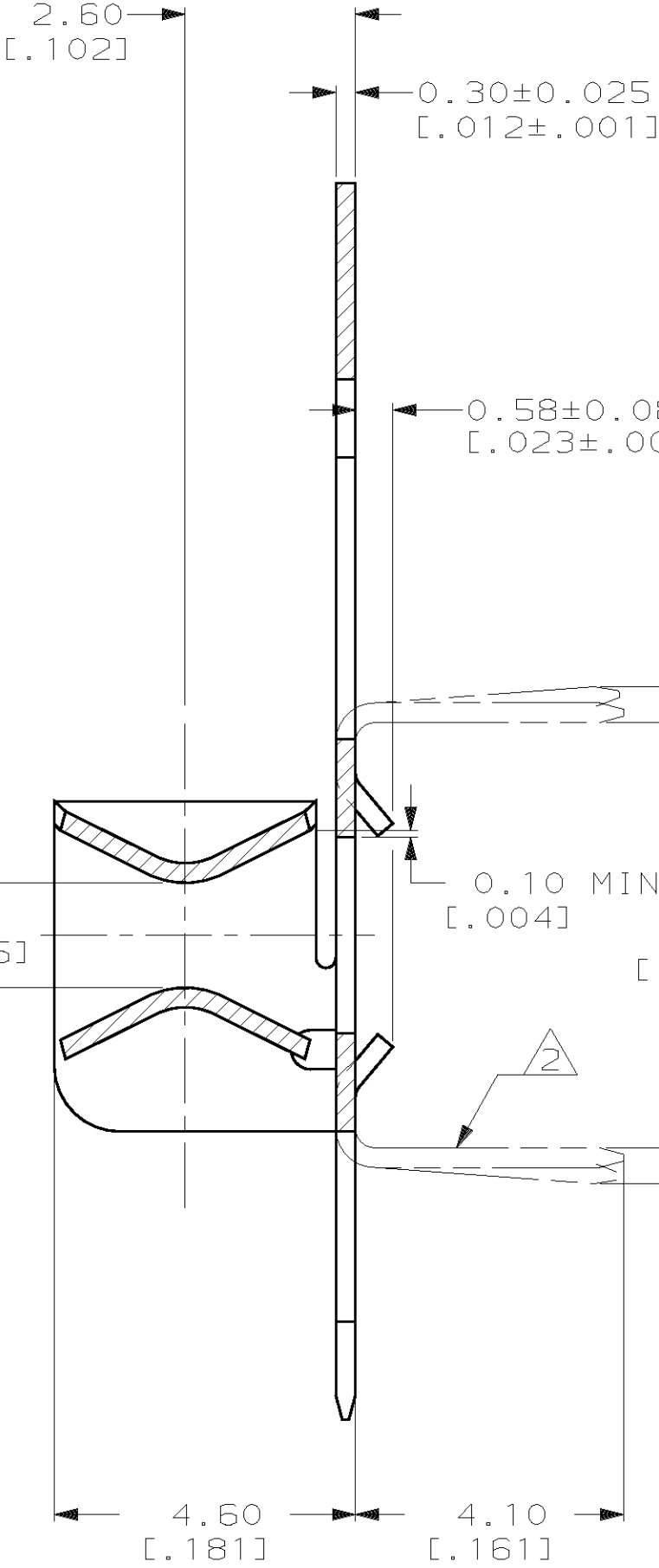
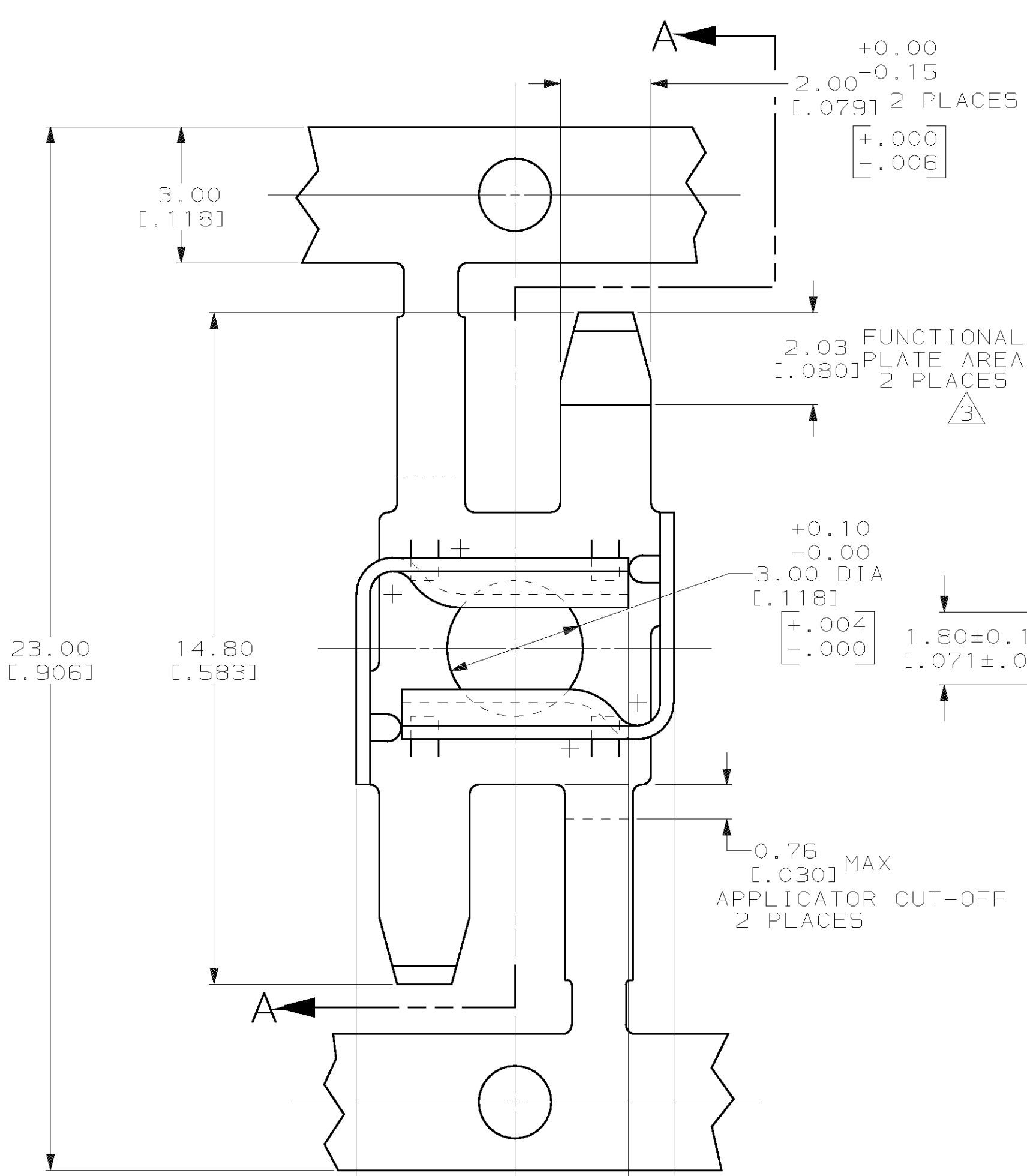
Tel: +86-755-8981 8866 Fax: +86-755-8427 6832

Email & Skype: info@chipsmall.com Web: www.chipsmall.com

Address: A1208, Overseas Decoration Building, #122 Zhenhua RD., Futian, Shenzhen, China



LOC		DIST		ZONE		LTR		REVISIONS		DATE	APPD
AF	50	P	F					D	REV PER 0L10-0306-97	10/NOV/97	PF/JP



SECTION A-A

RECOMMENDED P.C. BOARD LAYOUT



- 1 CONTINUOUS STRIP ON REELS.
- 2 TINES BENT 90° IN APPLICATOR PRIOR TO ASSEMBLY INTO P.C. BOARD.
- 3 0.00508 [.000200] MIN TIN IN FUNCTIONAL PLATE AREA, 0.00254 [.000100] MIN TIN ON REMAINDER.
- 4 PRODUCT COMPLIES WITH AMP SOLDERABILITY SPEC 109-11-5. WHEN PLATED AND 109-11-1 AFTER TWO YEARS OF SHELF LIFE

DO NOT SCALE PRINT. UNLESS SPECIFIED DIMENSIONS IN mm [INCHES] TOLERANCES ON : 2 PLC DEC ± 0.25 [.010] 3 PLC DEC ± - ANGLES ± 1°		DR 2/5/91 P FORTNEY		63572-1 PART NO	
MATERIAL #4 HARD PHOSPHOR BRONZE		CHK 2/5/91 M.S. FEHER		AMP AMP INCORPORATED Harrisburg, Pa. 17105	
FINISH 3		APPD 2/5/91 D SCHWENK		NAME PIN RECEPTACLE, PRINTED CIRCUIT BOARD, 2.50 [.098] DIA	
		APPD 2/5/91 R WEAVILL		DRAWING NO 63572	
		PRODUCT SPEC -		CAGE CODE 00779	
		APPLICATION SPEC -		SCALE 10:1	
		WEIGHT -		SHEET 1 OF 1	