



Chipsmall Limited consists of a professional team with an average of over 10 year of expertise in the distribution of electronic components. Based in Hongkong, we have already established firm and mutual-benefit business relationships with customers from,Europe,America and south Asia,supplying obsolete and hard-to-find components to meet their specific needs.

With the principle of "Quality Parts,Customers Priority,Honest Operation,and Considerate Service",our business mainly focus on the distribution of electronic components. Line cards we deal with include Microchip,ALPS,ROHM,Xilinx,Pulse,ON,Everlight and Freescale. Main products comprise IC,Modules,Potentiometer,IC Socket,Relay,Connector.Our parts cover such applications as commercial,industrial, and automotives areas.

We are looking forward to setting up business relationship with you and hope to provide you with the best service and solution. Let us make a better world for our industry!



Contact us

Tel: +86-755-8981 8866 Fax: +86-755-8427 6832

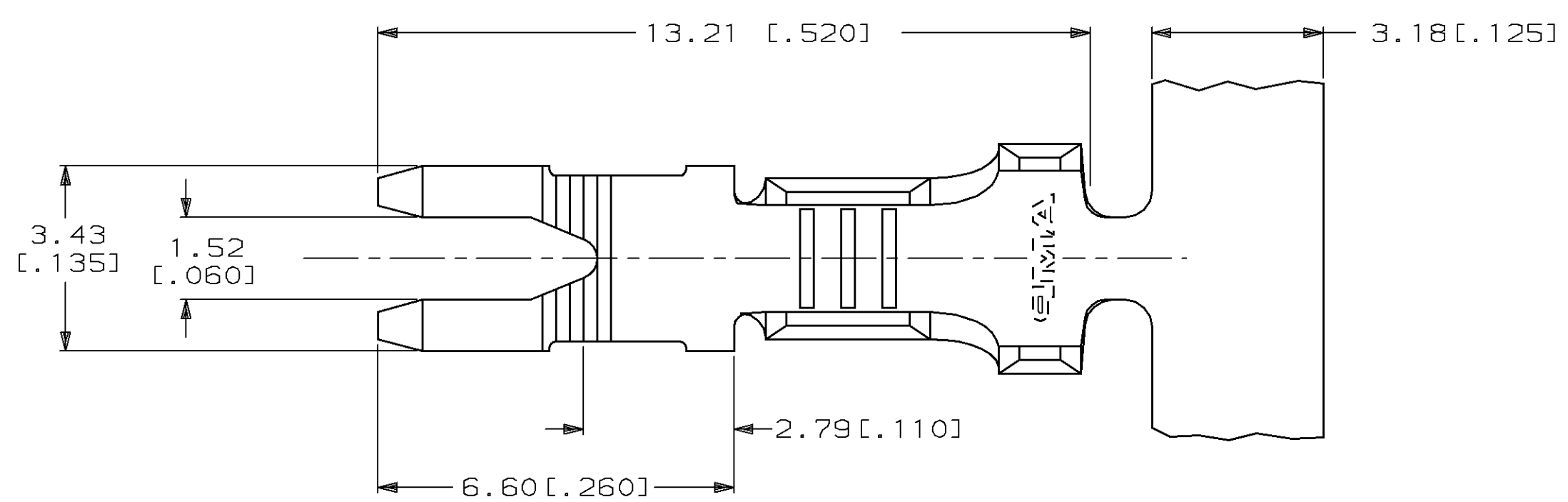
Email & Skype: info@chipsmall.com Web: www.chipsmall.com

Address: A1208, Overseas Decoration Building, #122 Zhenhua RD., Futian, Shenzhen, China

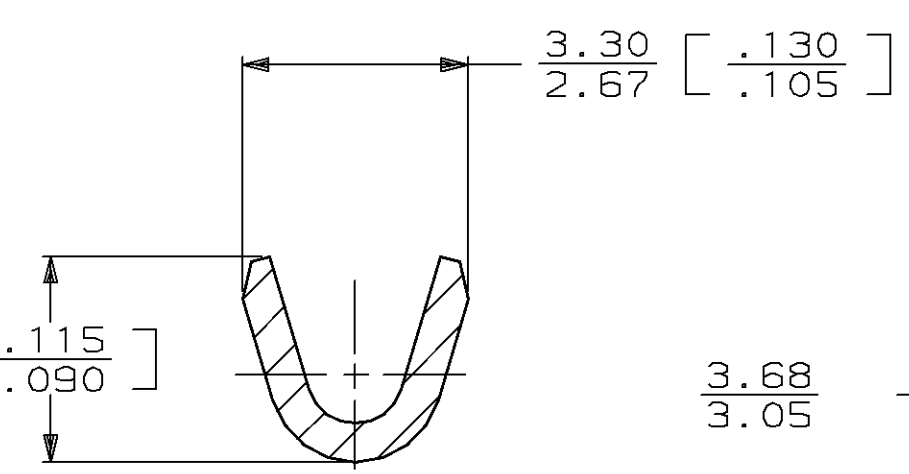
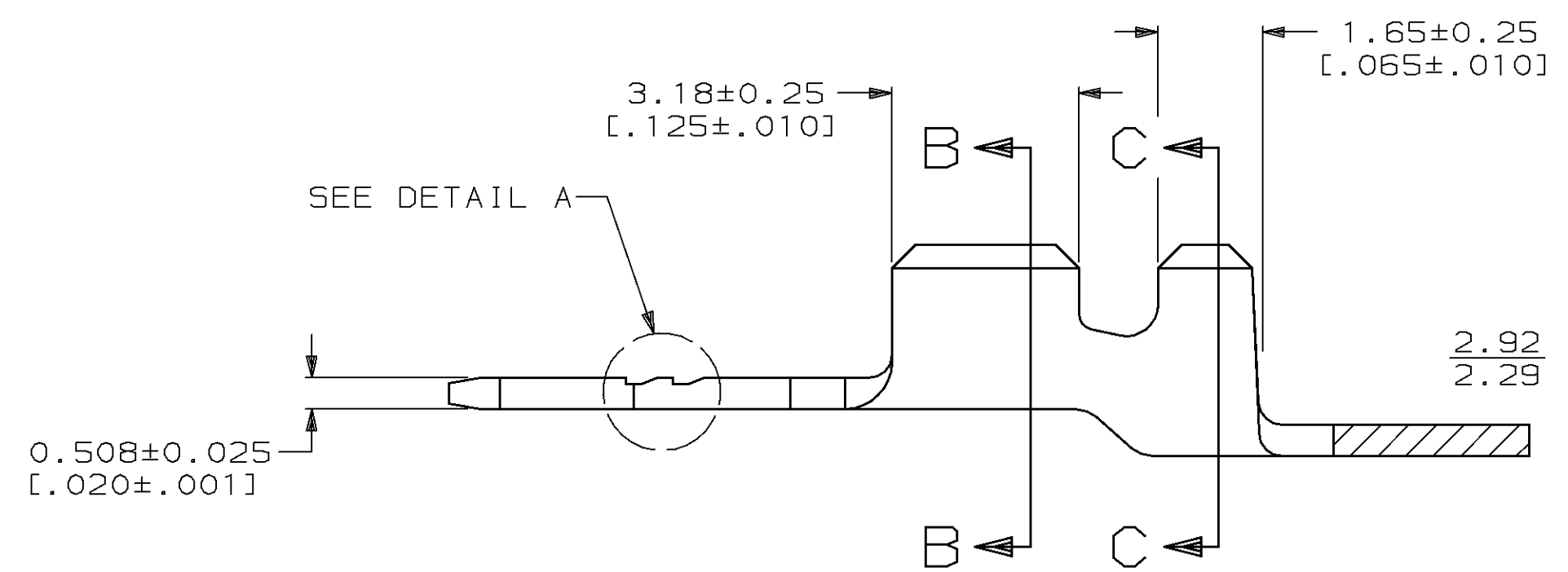


THIS DRAWING IS UNPUBLISHED. RELEASED FOR PUBLICATION
 © COPYRIGHT 19 BY AMP INCORPORATED. ALL INTERNATIONAL RIGHTS RESERVED.

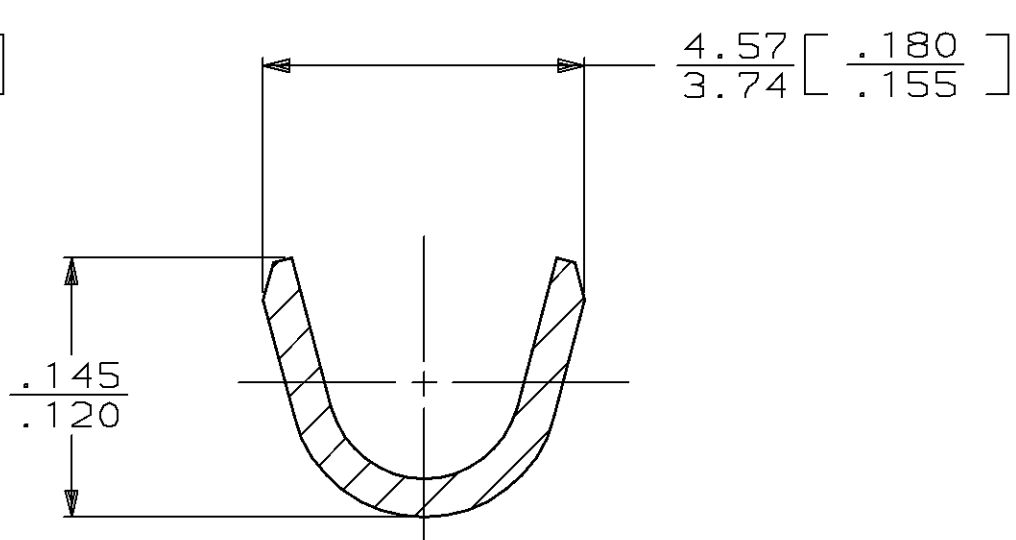
LOC		DIST		REVISIONS				DATE	APPD
ZONE	LTR	DESCRIPTION	DATE	APPD					
AF	50						8/4/93	PF/MF	
		C	REVISED PER 0204-93						



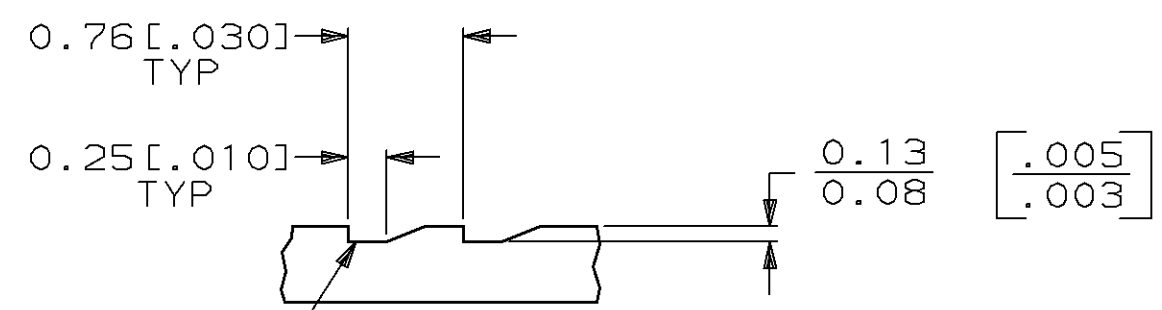
1 CONTINUOUS STRIP ON REELS
 2 FOR OPTIMUM RETENTION IN POKE-IN TYPE MAG-MATE TERMINALS, ONE OF THE SERRATIONS AS SHOWN MUST BE ENGAGED WITH THE EDGE OF THE LEAF



SECTION B-B

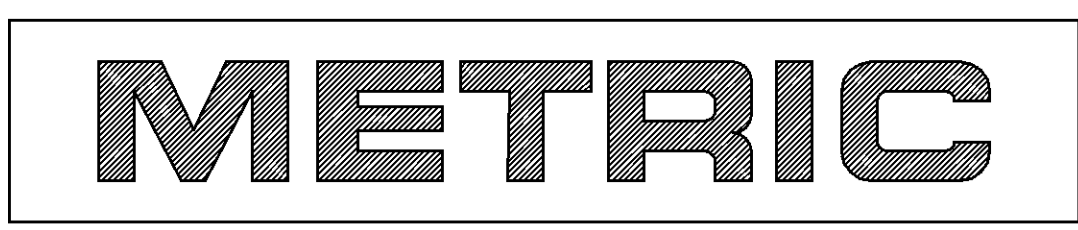


SECTION C-C



DETAIL A
SCALE 20:1

PROPOSED DESIGN
 NOT RELEASED FOR
 PRODUCTION



	1.52 - 2.54 [.060-.100]	0.3-0.8 mm ² [22 - 18]	63574-1
	INSULATION RANGE	WIRE RANGE	PART NO
DO NOT SCALE PRINT. UNLESS SPECIFIED DIMENSIONS IN mm [INCHES] TOLERANCES ON: 2 PLC DEC ± - 3 PLC DEC ± 0.38 [.015] ANGLES ± -	DR 2/23/90 M.S. FEHER CHK 2/23/90 JR RUTH APPD 2/23/90 DF DECKER	AMP INCORPORATED Harrisburg, Pa. 17105 NAME TAB, POKE-IN, MAG-MATE™	
MATERIAL #2 HARD BRASS	APPD 2/23/90 TL SHUTTER PRODUCT SPEC -		
FINISH TIN PER MIL-T-10727 .002032 [.000080] THK	APPLICATION SPEC -	SIZE C	FSCM NO 00779
	WEIGHT -	SCALE 10:1	DRAWING NO 63574
			SHEET 1 OF 1