



Chipsmall Limited consists of a professional team with an average of over 10 year of expertise in the distribution of electronic components. Based in Hongkong, we have already established firm and mutual-benefit business relationships with customers from,Europe,America and south Asia,supplying obsolete and hard-to-find components to meet their specific needs.

With the principle of “Quality Parts,Customers Priority,Honest Operation,and Considerate Service”,our business mainly focus on the distribution of electronic components. Line cards we deal with include Microchip,ALPS,ROHM,Xilinx,Pulse,ON,Everlight and Freescale. Main products comprise IC,Modules,Potentiometer,IC Socket,Relay,Connector.Our parts cover such applications as commercial,industrial, and automotives areas.

We are looking forward to setting up business relationship with you and hope to provide you with the best service and solution. Let us make a better world for our industry!



Contact us

Tel: +86-755-8981 8866 Fax: +86-755-8427 6832

Email & Skype: info@chipsmall.com Web: www.chipsmall.com

Address: A1208, Overseas Decoration Building, #122 Zhenhua RD., Futian, Shenzhen, China



4

3

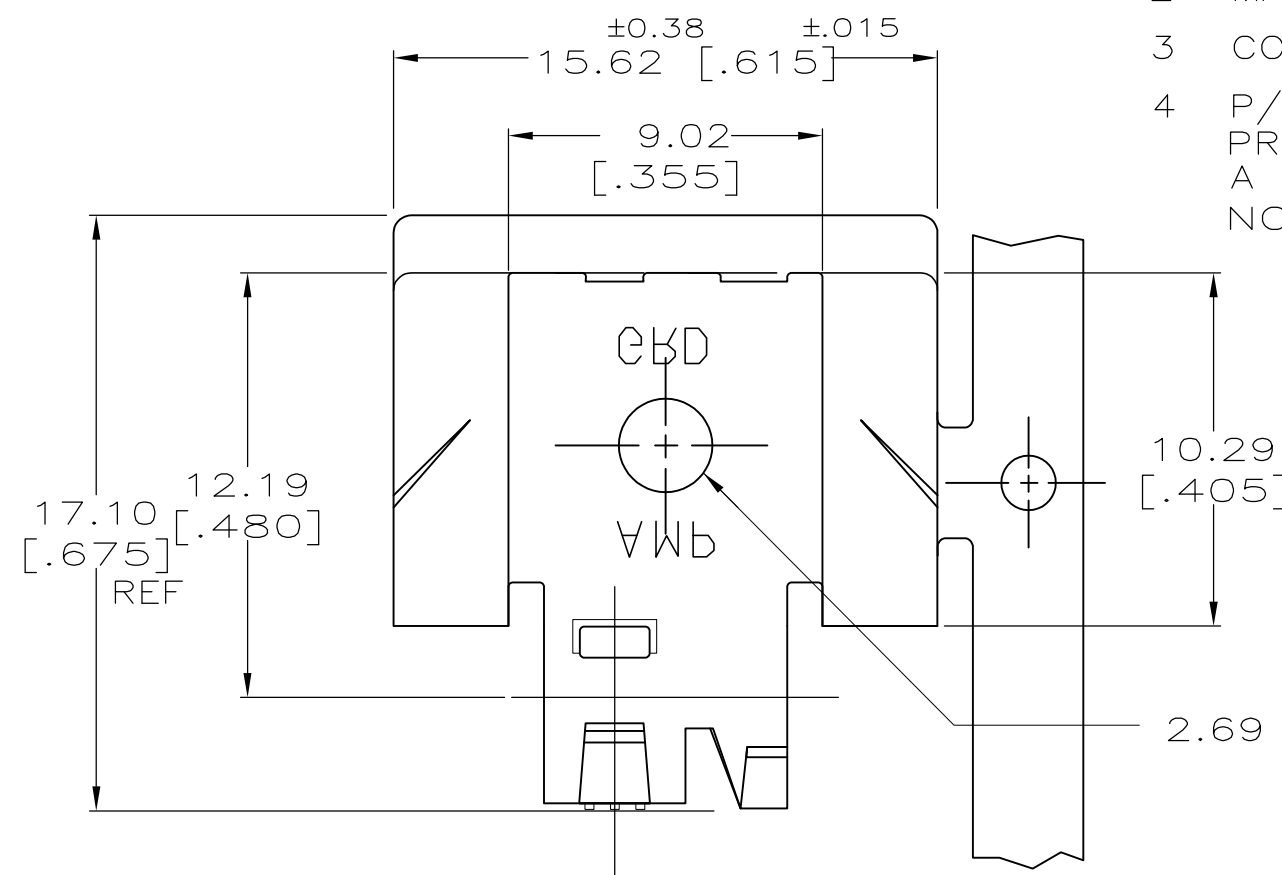
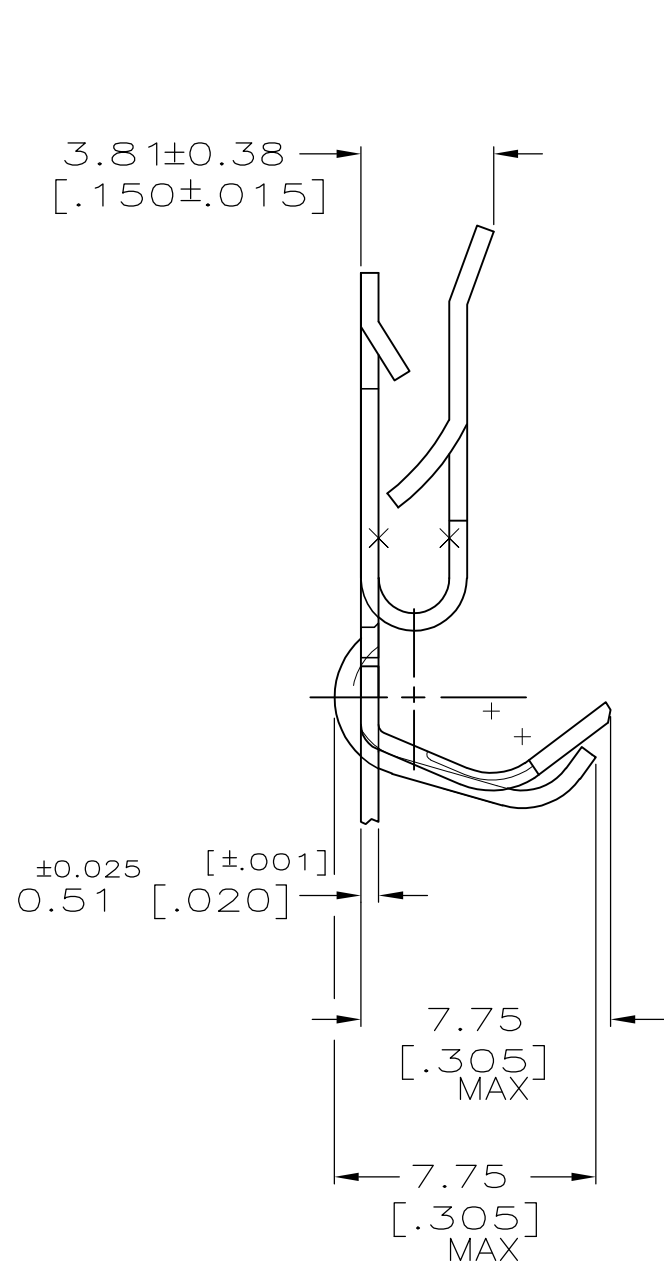
2

1

THIS DRAWING IS UNPUBLISHED. RELEASED FOR PUBLICATION
 © COPYRIGHT - By - ALL RIGHTS RESERVED.

LOC	DIST	REVISIONS					
AF	50	P	LTR	DESCRIPTION	DATE	DWN	APVD
		C1		REVISED PER ECO-11-004917	11MAR11	RK	HMR

- 1 PRE-TIN PL .000080 MIN THK PER MIL-T-10727A.
- 2 MATES WITH .019-.071 THK PANEL.
- 3 CONTINUOUS STRIP ON REELS.
- 4 P/N 63575-1 ONLY IS RELEASED FOR PRODUCTION, P/N 63575-2 IS STILL A PROPOSED DESIGN UNTIL FURTHER NOTICE.



PROPOSED DESIGN
 NOT RELEASED FOR
 PRODUCTION
 P/N 63575-2 ONLY

OBSOLETE	△	#4 HARD PHOS BRONZE	2.54-3.56 DIA	0.8-2.0mm ²	63575-2
	—	1/2 HARD SST	[.100-.140]	[18-14] AWG	63575-1
FINISH		MATERIAL	INSULATION RANGE	WIRE RANGE	PART NO



THIS DRAWING IS A CONTROLLED DOCUMENT.		DWN P FORTNEY 2/4/91	TE Connectivity				
DIMENSIONS: MM[INCHES]		CHK MS FEHER 2/5/91					
TOLERANCES UNLESS OTHERWISE SPECIFIED:		APVD K RANDOLPH 2/8/91	NAME				
0 PLC ± - 1 PLC ± - 2 PLC ± 0.25 [.010] 3 PLC ± - 4 PLC ± - ANGLES ± -		PRODUCT SPEC	CLIP, GROUNDING				
MATERIAL SEE TABLE		FINISH SEE TABLE	APPLICATION SPEC	SIZE A3	CAGE CODE 00779	DRAWING NO C-63575	RESTRICTED TO
CUSTOMER DRAWING			WEIGHT -	SCALE 5:1	SHEET 1 OF 1	REV C1	