



Chipsmall Limited consists of a professional team with an average of over 10 year of expertise in the distribution of electronic components. Based in Hongkong, we have already established firm and mutual-benefit business relationships with customers from,Europe,America and south Asia,supplying obsolete and hard-to-find components to meet their specific needs.

With the principle of “Quality Parts,Customers Priority,Honest Operation,and Considerate Service”,our business mainly focus on the distribution of electronic components. Line cards we deal with include Microchip,ALPS,ROHM,Xilinx,Pulse,ON,Everlight and Freescale. Main products comprise IC,Modules,Potentiometer,IC Socket,Relay,Connector.Our parts cover such applications as commercial,industrial, and automotives areas.

We are looking forward to setting up business relationship with you and hope to provide you with the best service and solution. Let us make a better world for our industry!



Contact us

Tel: +86-755-8981 8866 Fax: +86-755-8427 6832

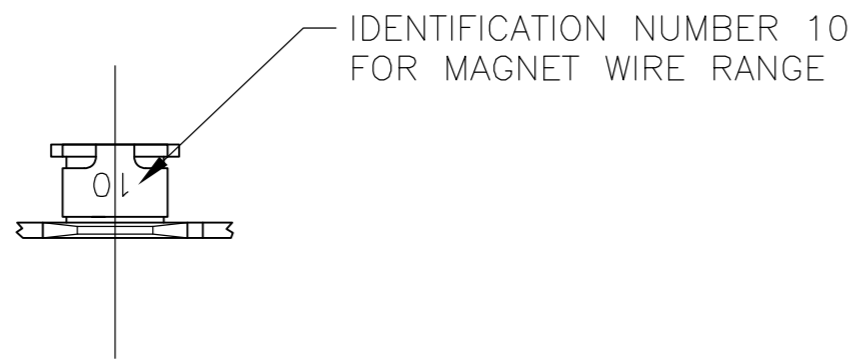
Email & Skype: info@chipsmall.com Web: www.chipsmall.com

Address: A1208, Overseas Decoration Building, #122 Zhenhua RD., Futian, Shenzhen, China

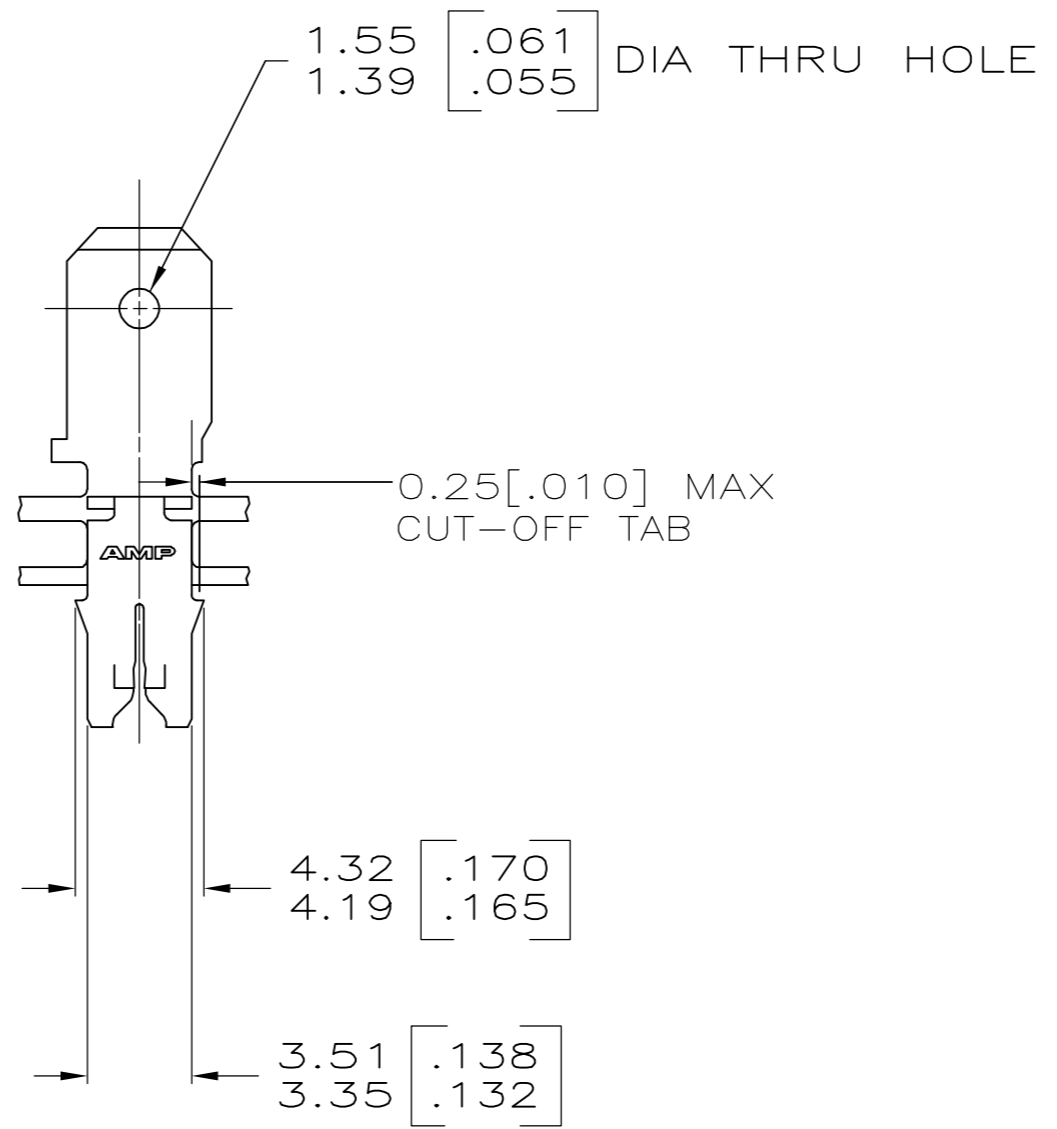
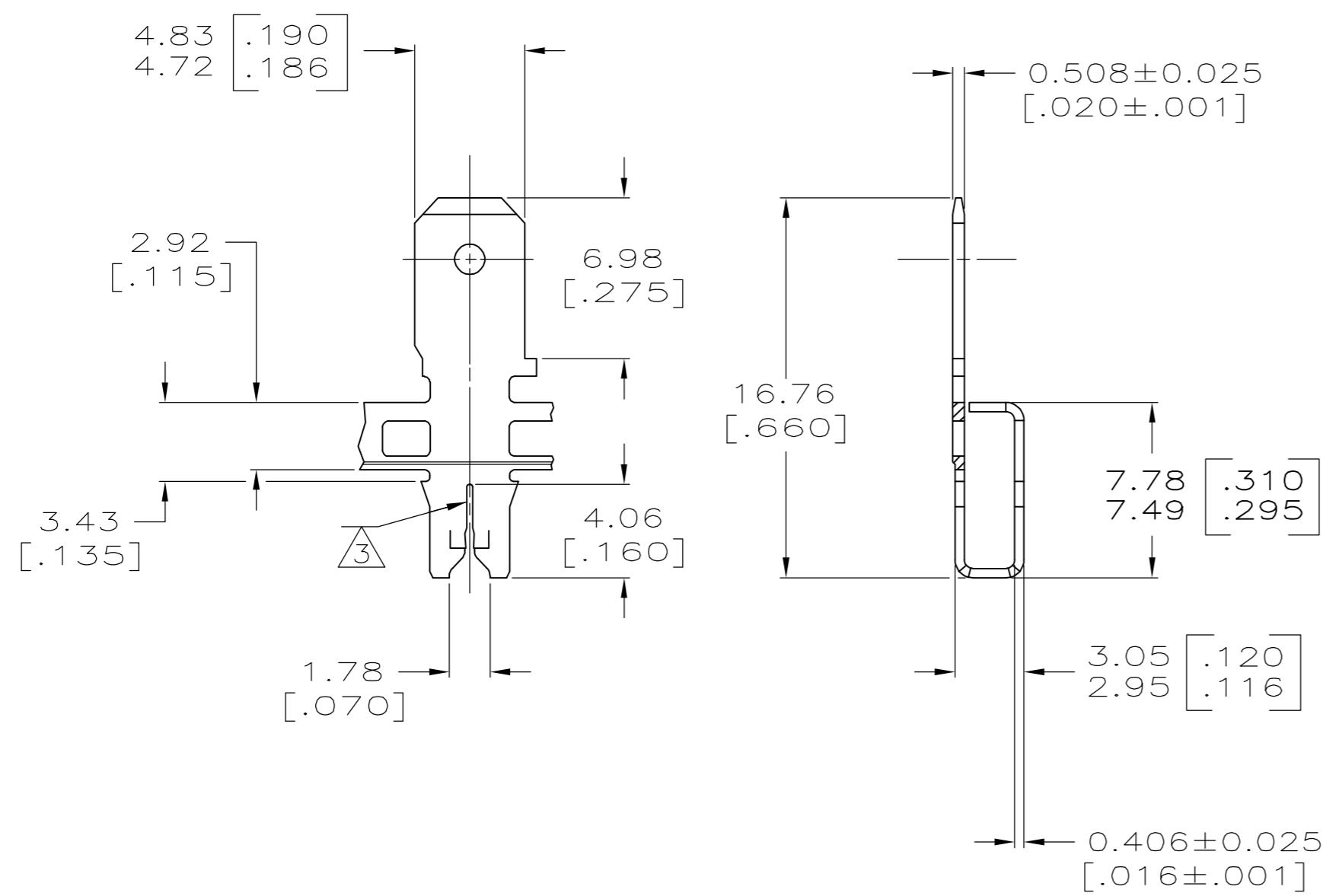


THIS DRAWING IS UNPUBLISHED. RELEASED FOR PUBLICATION
 © COPYRIGHT BY TYCO ELECTRONICS CORPORATION. ALL RIGHTS RESERVED.

LOC	DIST	REVISIONS			
P	LTR	DESCRIPTION	DATE	DWN	APVD
AF	50	B	REVISED PER OG3A-0067-05	7FEB05	MF KR



- 1 CONTINUOUS STRIP ON REELS WITH TERMINALS LOCATED ON 5.59±0.08 [.220±.003] CENTERS.
- 2 AFTER INSERTION INTO PLASTIC HOLDER TAB PORTION MUST BE BENT 45° TO 90° OR POTTED-IN TO PREVENT PULL-OUT WHEN MATING RECEPTACLE IS DISCONNECTED.
- 3 SLOT TERMINATES EITHER SINGLE OR DOUBLE MAGNET WIRE OF THE SAME SIZE AND TYPE. COPPER RANGE: 0.36-0.57mm [#27-#23] AWG.
- 4 0.002032 [.000080] MIN TIN PLATE.



4		63585-1	
FINISH		PART NUMBER	
		Tyco Electronics Corporation Harrisburg, Pa 17105-3608	
NAME		TAB, 4.75 [.187] FASTON, 300 SERIES MAG-MATE	
SIZE	CAGE CODE	DRAWING NO	RESTRICTED TO
A2	00779	C=63585	-
SCALE		SHEET	OF
4:1		1	1
CUSTOMER DRAWING		REV	B

THIS DRAWING IS A CONTROLLED DOCUMENT.		DWN	7FEB2005
		CHK	7FEB2005
		APVD	7FEB2005
		PRODUCT SPEC	108-2012
		APPLICATION SPEC	114-2046
		WEIGHT	-
		CUSTOMER DRAWING	

DIMENSIONS:	TOLERANCES UNLESS OTHERWISE SPECIFIED:
INCHES	
	0 PLC ± -
	1 PLC ± -
	2 PLC ± -
	3 PLC ± 0.25 [.010]
	4 PLC ± -
	ANGLES ± -
	FINISH SEE TABLE

63585

A