



Chipsmall Limited consists of a professional team with an average of over 10 year of expertise in the distribution of electronic components. Based in Hongkong, we have already established firm and mutual-benefit business relationships with customers from,Europe,America and south Asia,supplying obsolete and hard-to-find components to meet their specific needs.

With the principle of "Quality Parts,Customers Priority,Honest Operation,and Considerate Service",our business mainly focus on the distribution of electronic components. Line cards we deal with include Microchip,ALPS,ROHM,Xilinx,Pulse,ON,Everlight and Freescale. Main products comprise IC,Modules,Potentiometer,IC Socket,Relay,Connector.Our parts cover such applications as commercial,industrial, and automotives areas.

We are looking forward to setting up business relationship with you and hope to provide you with the best service and solution. Let us make a better world for our industry!



## Contact us

Tel: +86-755-8981 8866 Fax: +86-755-8427 6832

Email & Skype: info@chipsmall.com Web: www.chipsmall.com

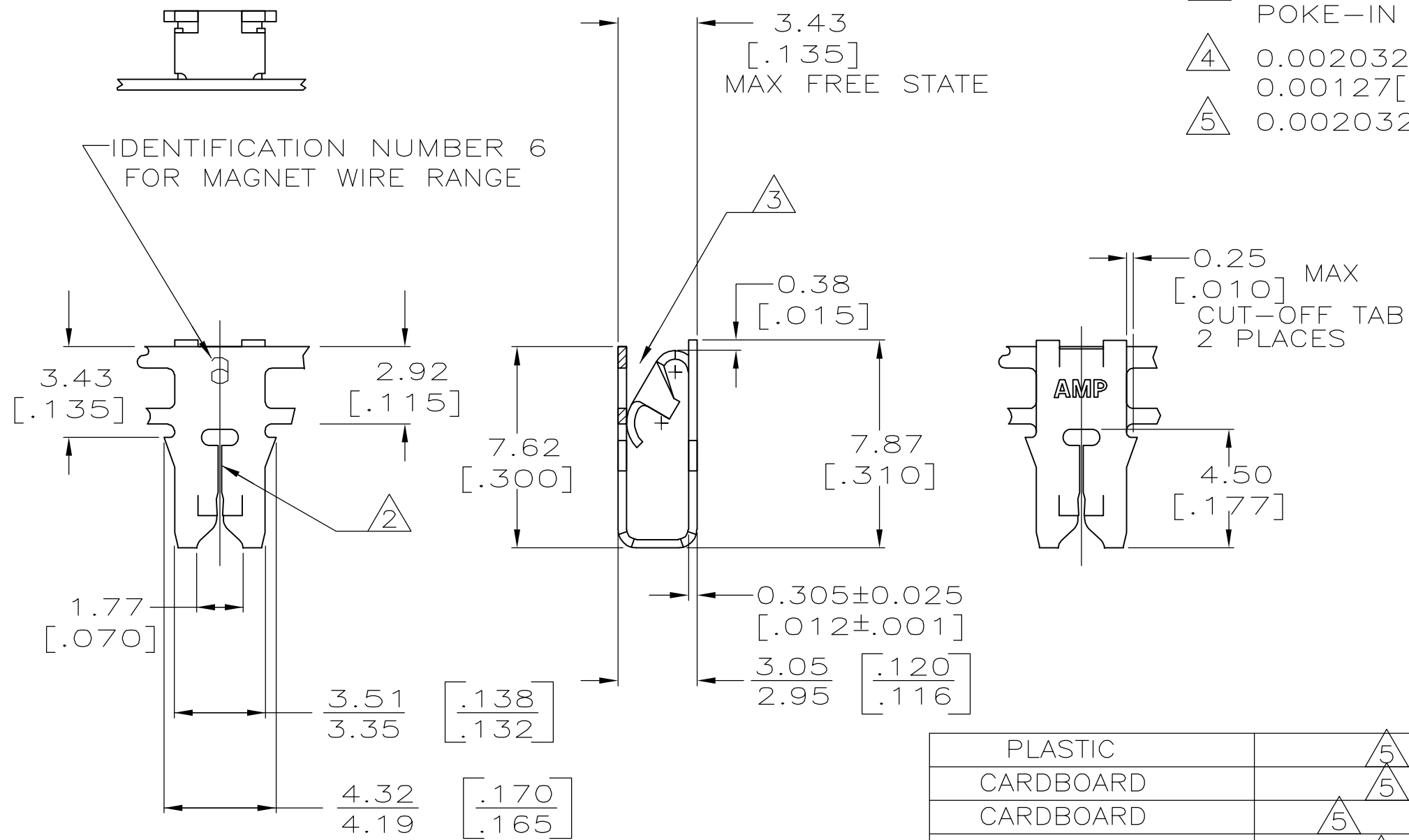
Address: A1208, Overseas Decoration Building, #122 Zhenhua RD., Futian, Shenzhen, China



THIS DRAWING IS UNPUBLISHED. RELEASED FOR PUBLICATION  
 © COPYRIGHT BY TYCO ELECTRONICS CORPORATION. ALL RIGHTS RESERVED.

LOC	DIST	REVISIONS					
AF	50	P	LTR	DESCRIPTION	DATE	DWN	APVD
			H1	REV PER ECR 06-021590	12SEP06	JR	KR

- 1 CONTINUOUS STRIP ON REELS WITH TERMINALS LOCATED ON 5.59 [.220] CENTERS.
- 2 SLOT ACCEPTS 0.25-0.36mm [#30-#27] AWG COPPER MAGNET WIRE.
- 3 MATES WITH STANDARD MAG-MATE STYLED POKE-IN TAB TERMINAL.
- 4 0.002032[.000080] MIN TIN OVER 0.00127[.000050] MIN NICKEL.
- 5 0.002032[.000080] MIN TIN.



PLASTIC	5	H04 PHOS. BRONZE	63590-4
CARDBOARD	5	H04 PHOS. BRONZE	63590-3
CARDBOARD	5	4M BRASS	63590-2
CARDBOARD	4	4M BRASS	63590-1
REELING	FINISH	MATERIAL	PART NO

THIS DRAWING IS A CONTROLLED DOCUMENT.

DIMENSIONS: mm [INCHES]	TOLERANCES UNLESS OTHERWISE SPECIFIED: 0 PLC ± - 1 PLC ± - 2 PLC ± 0.25 [.010] 3 PLC ± - 4 PLC ± - PLC ANGLES ± -	DWN MICHAEL S. FEHER 7/30/90 CHK JEFF R. RUTH 7/30/90 APVD DONALD F. DECKER 7/30/90	Tyco Electronics Corporation Harrisburg, PA 17105-3608	
	FINISH	PRODUCT SPEC 108-2012	NAME SPECIAL LEAF CONTACT, 300 SERIES MAG-MATE	
MATERIAL SEE TABLE	SEE TABLE	APPLICATION SPEC 114-2046	SIZE A3	CAGE CODE 00779
		WEIGHT -	DRAWING NO C-63590	RESTRICTED TO -
CUSTOMER DRAWING			SCALE 5:1	SHEET 1 OF 1
			REV H1	

**METRIC**