



Chipsmall Limited consists of a professional team with an average of over 10 year of expertise in the distribution of electronic components. Based in Hongkong, we have already established firm and mutual-benefit business relationships with customers from,Europe,America and south Asia,supplying obsolete and hard-to-find components to meet their specific needs.

With the principle of “Quality Parts,Customers Priority,Honest Operation,and Considerate Service”,our business mainly focus on the distribution of electronic components. Line cards we deal with include Microchip,ALPS,ROHM,Xilinx,Pulse,ON,Everlight and Freescale. Main products comprise IC,Modules,Potentiometer,IC Socket,Relay,Connector.Our parts cover such applications as commercial,industrial, and automotives areas.

We are looking forward to setting up business relationship with you and hope to provide you with the best service and solution. Let us make a better world for our industry!



Contact us

Tel: +86-755-8981 8866 Fax: +86-755-8427 6832

Email & Skype: info@chipsmall.com Web: www.chipsmall.com

Address: A1208, Overseas Decoration Building, #122 Zhenhua RD., Futian, Shenzhen, China



THIS DRAWING IS UNPUBLISHED.

RELEASED FOR PUBLICATION

ALL RIGHTS RESERVED.

© COPYRIGHT - By -

LOC AF DIST 50

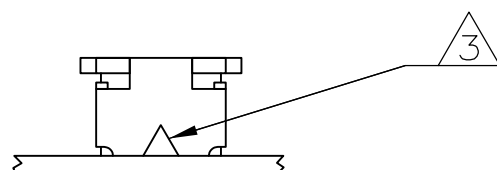
REVISIONS

P	LTR	DESCRIPTION	DATE	DWN	APVD
E1		REVISED PER ECR-12-014791	17SEP12	KH	KR

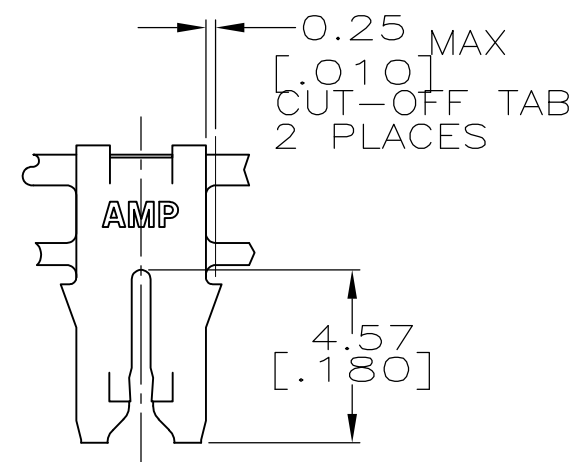
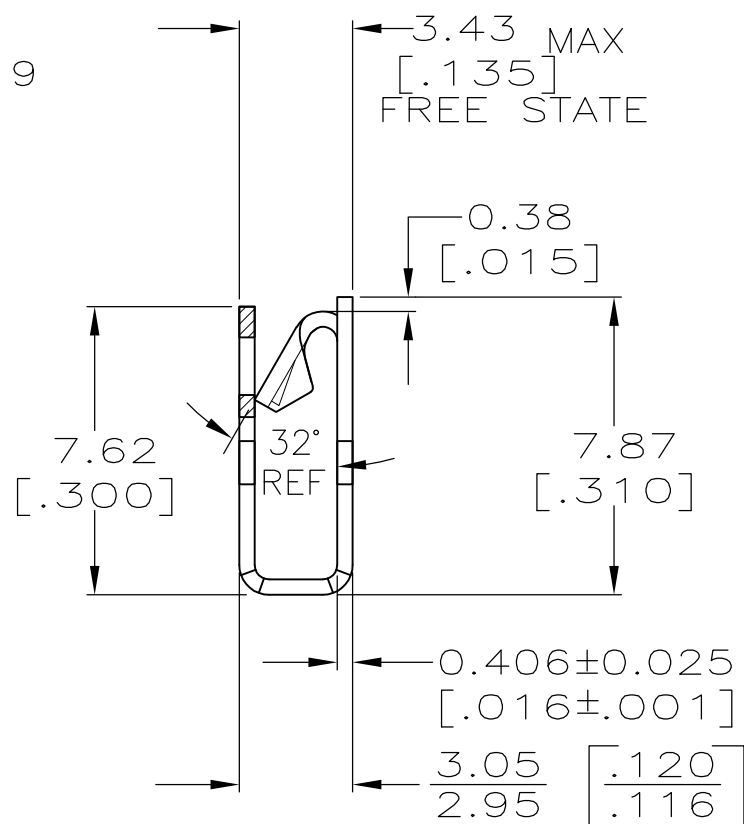
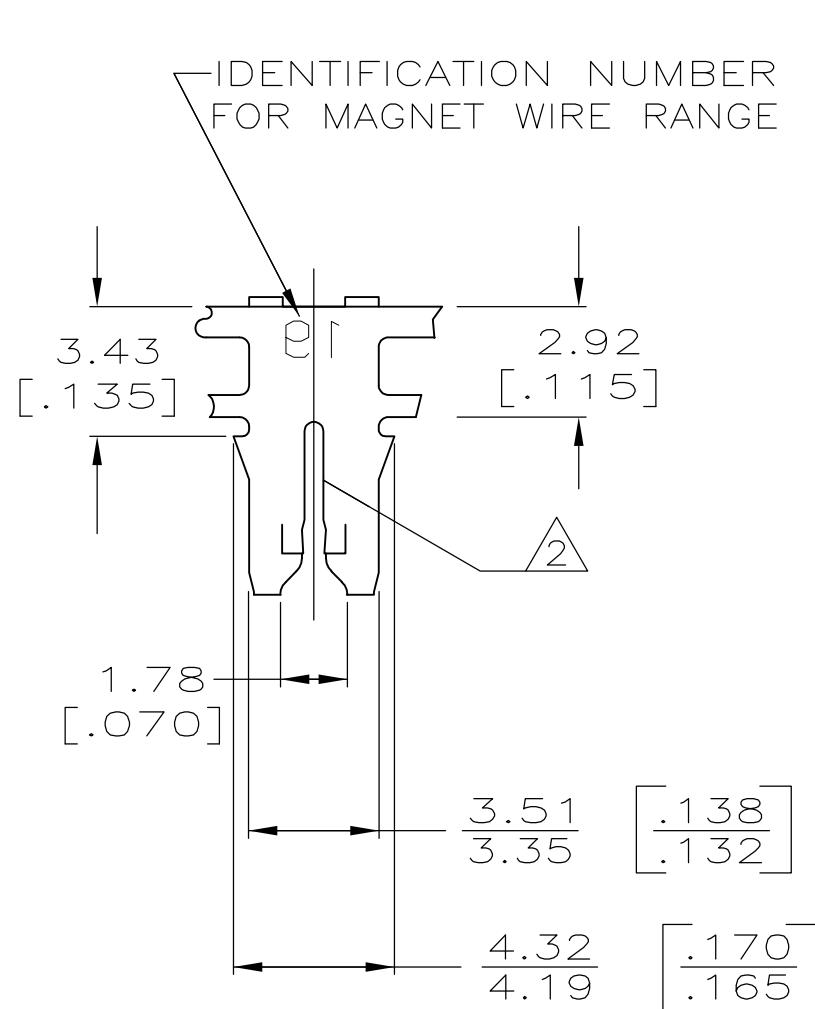
1 CONTINUOUS STRIP ON REELS WITH TERMINALS LOCATED ON 5.59 [.220] CENTERS.

2 SLOT ACCEPTS 0.81mm [#20] AWG COPPER MAGNET WIRE.

3 POKE-IN ACCEPTS A 0.81-1.02mm²[#20-#18] AWG SOLID OR FUSED STRANDED LEAD WIRE.



IDENTIFICATION NUMBER 19 FOR MAGNET WIRE RANGE



63591-1

PART NUMBER

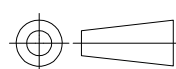
THIS DRAWING IS A CONTROLLED DOCUMENT.

DWN 8/14/90
MICHAEL S. FEHER
CHK 8/20/90
PHILLIP M. FORTNEY
APVD 8/20/90
NELSON E. NEFF

STE TE Connectivity

DIMENSIONS:
mm [INCHES]

TOLERANCES UNLESS OTHERWISE SPECIFIED:



0 PLC ± -
1 PLC ± -
2 PLC ± 0.25 [.010]
3 PLC ± -
4 PLC ± -
ANGLES ± -

PRODUCT SPEC

APPLICATION SPEC
114-2046

NAME
TERMINAL, POKE-IN,
300 SERIES MAG-MATE™

MATERIAL
#4M HARD BRASS

FINISH
0.002032[.000080] MIN TIN

WEIGHT

CUSTOMER DRAWING

SIZE	CAGE CODE	DRAWING NO	RESTRICTED TO
A3	00779	C-63591	-

SCALE	SHEET	REV
5:1	1 OF 1	E1