



Chipsmall Limited consists of a professional team with an average of over 10 year of expertise in the distribution of electronic components. Based in Hongkong, we have already established firm and mutual-benefit business relationships with customers from,Europe,America and south Asia,supplying obsolete and hard-to-find components to meet their specific needs.

With the principle of “Quality Parts,Customers Priority,Honest Operation,and Considerate Service”,our business mainly focus on the distribution of electronic components. Line cards we deal with include Microchip,ALPS,ROHM,Xilinx,Pulse,ON,Everlight and Freescale. Main products comprise IC,Modules,Potentiometer,IC Socket,Relay,Connector.Our parts cover such applications as commercial,industrial, and automotives areas.

We are looking forward to setting up business relationship with you and hope to provide you with the best service and solution. Let us make a better world for our industry!



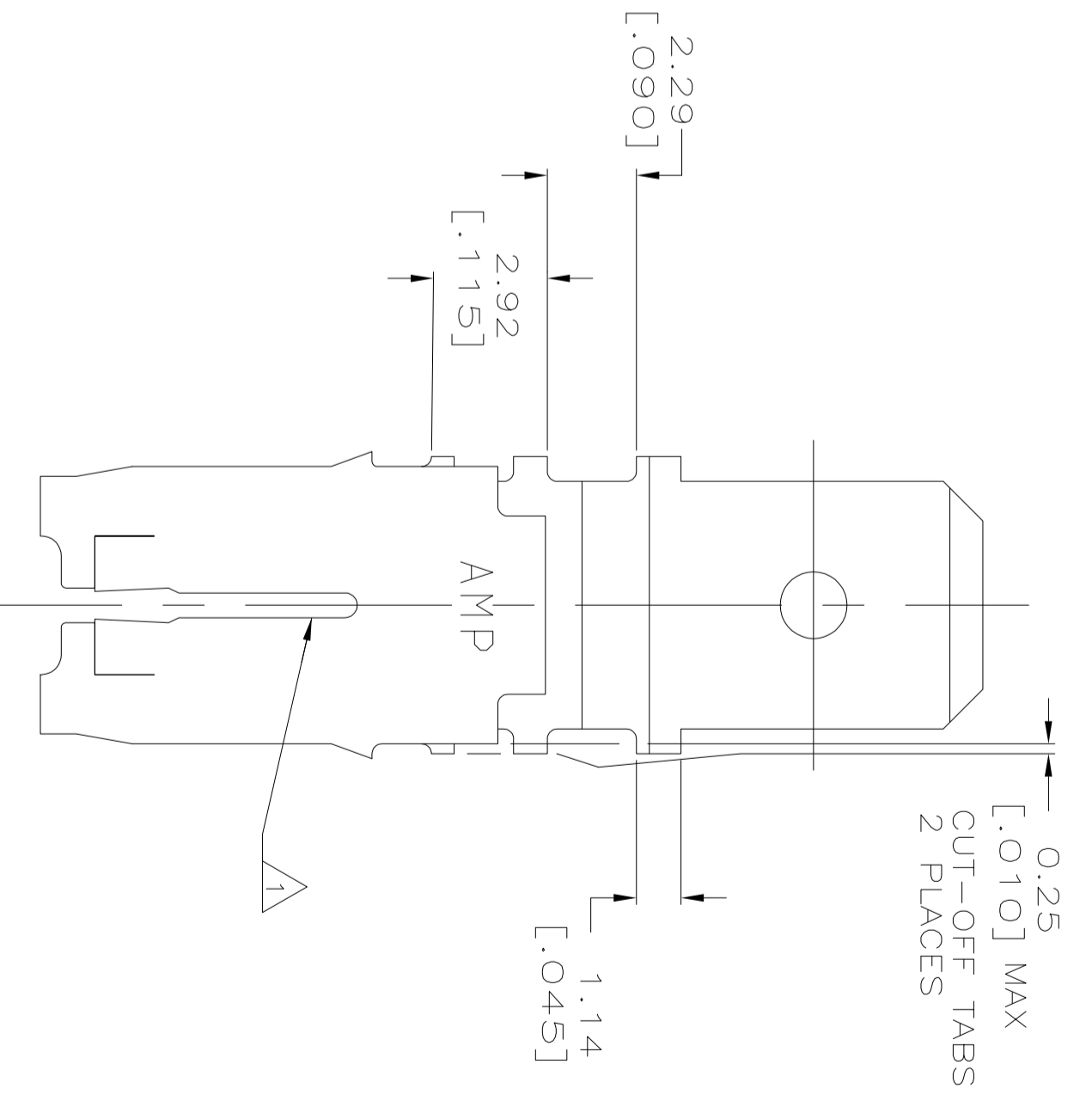
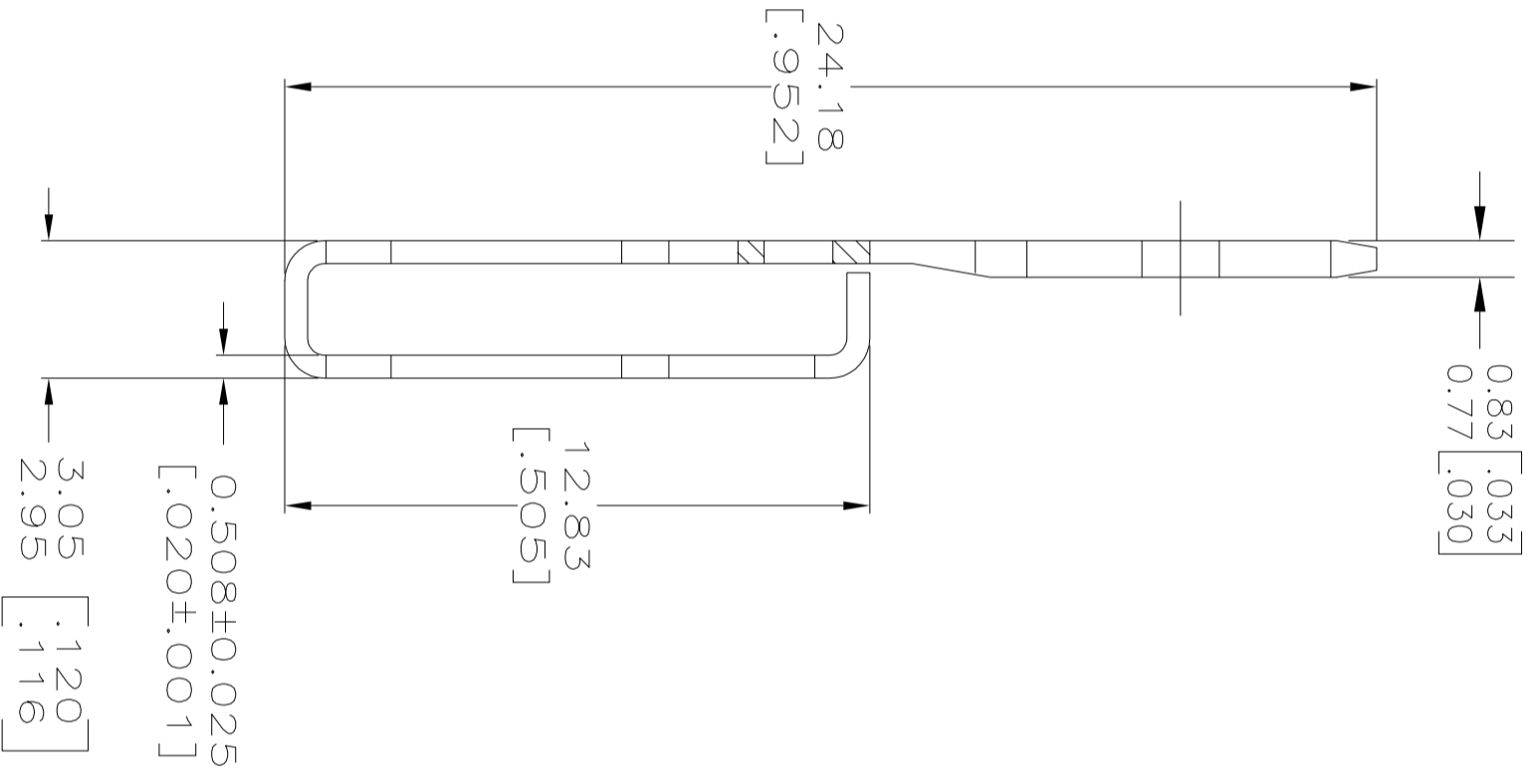
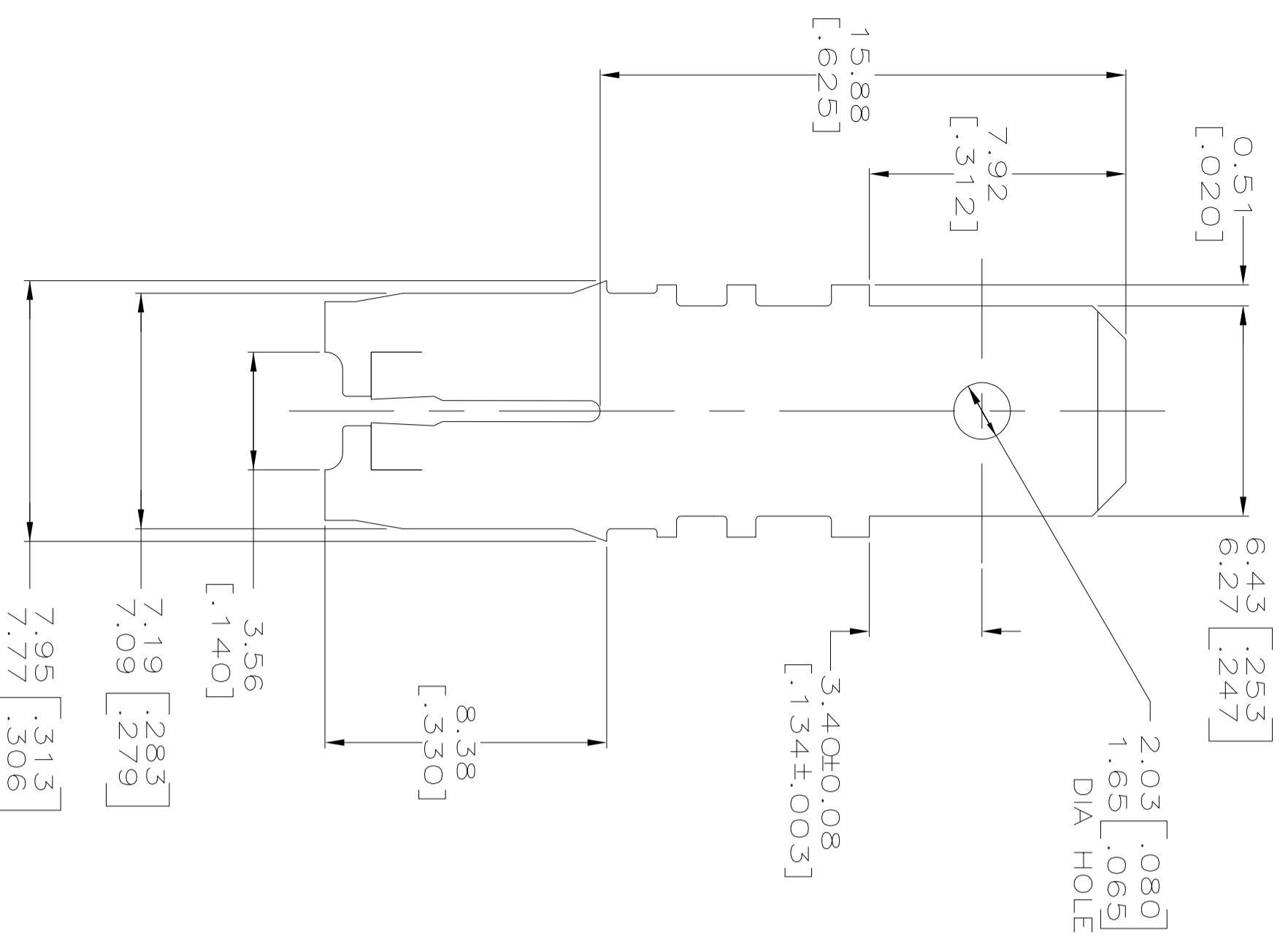
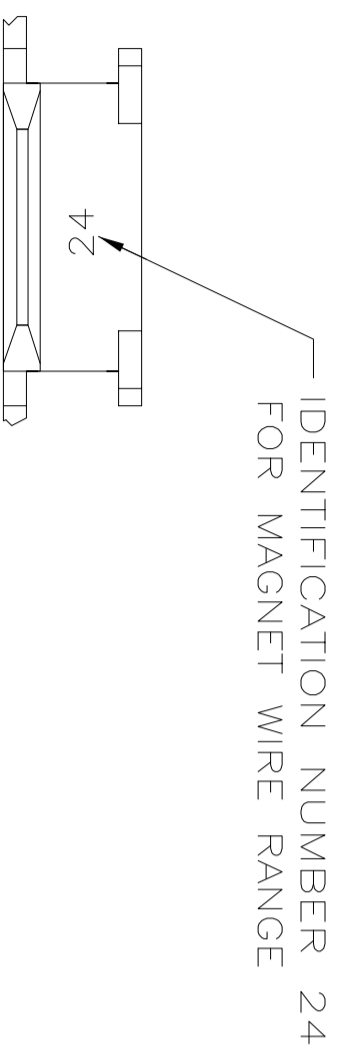
Contact us

Tel: +86-755-8981 8866 Fax: +86-755-8427 6832

Email & Skype: info@chipsmall.com Web: www.chipsmall.com

Address: A1208, Overseas Decoration Building, #122 Zhenhua RD., Futian, Shenzhen, China





- 1 SLOT ACCEPTS 0.91-1.15mm [#19-#17] AWG COPPER MAGNET WIRE. 2 WIRES OF THE SAME SIZE MAX PER SLOT.
- 2 AFTER INSERTION INTO PLASTIC HOLDER TAB PORTION MUST BE BENT OVER 45° TO 90° OR POTTED-IN TO PREVENT PULL-OUT WHEN MATING RECEPTACLE IS DISCONNECTED.
- 3 0.002032 [.000080] MIN TIN PLATE.
- 4 VARNISH RESIST COATING OVER 0.002032 [.000080] MIN TIN PLATE
- 5 PRELIMINARY - NOT FOR PRODUCTION

REVOLUTIONS		DATE	BY	APP'D
AF	50			
D1	REVISED PER ECR-08-021819	11SEP08	HMR	KR
D2	REVISED PER ECR-12-022060	26DEC12	CX	LL

4	1-63598-1	
3	63598-2	
4	63598-1	
4		PART NO

THIS DRAWING IS A CONTROLLED DOCUMENT.

DIMENSIONS: mm [INCHES]	TOLERANCES UNLESS OTHERWISE SPECIFIED:
0 PLG ±	1 PLG ±
1 PLG ±	2 PLG ± 0.25 [.010]
2 PLG ±	3 PLG ±
3 PLG ±	4 PLG ±
4 PLG ±	ANGLES ±

MATERIAL: 4M PRE-MILLED BRASS
 FINISH: SEE TABLE

DMN	PHILLIP M. FORTNEY	25/OCT/94
CHK	MICHAEL S. FEHER	25/OCT/94
APVD	NELSON E. NEFF	25/OCT/94
PRODUCT SPEC	108-2053	
APPLICATION SPEC	114-2066	
WEIGHT		

CUSTOMER DRAWING

Tyco Electronics
 Tyco Electronics Corporation
 Harrisburg, PA 17105-3608

TAB, LOOSE PIECE,
 6.35 [.250] FASTON,
 MAG-MATE™

SIZE	A2
Q&E CODE	00779
DRAWING NO	63598
SCALE	6:1
SHEET	1 of 1
REV	D2