



Chipsmall Limited consists of a professional team with an average of over 10 year of expertise in the distribution of electronic components. Based in Hongkong, we have already established firm and mutual-benefit business relationships with customers from,Europe,America and south Asia,supplying obsolete and hard-to-find components to meet their specific needs.

With the principle of “Quality Parts,Customers Priority,Honest Operation,and Considerate Service”,our business mainly focus on the distribution of electronic components. Line cards we deal with include Microchip,ALPS,ROHM,Xilinx,Pulse,ON,Everlight and Freescale. Main products comprise IC,Modules,Potentiometer,IC Socket,Relay,Connector.Our parts cover such applications as commercial,industrial, and automotives areas.

We are looking forward to setting up business relationship with you and hope to provide you with the best service and solution. Let us make a better world for our industry!



## Contact us

Tel: +86-755-8981 8866 Fax: +86-755-8427 6832

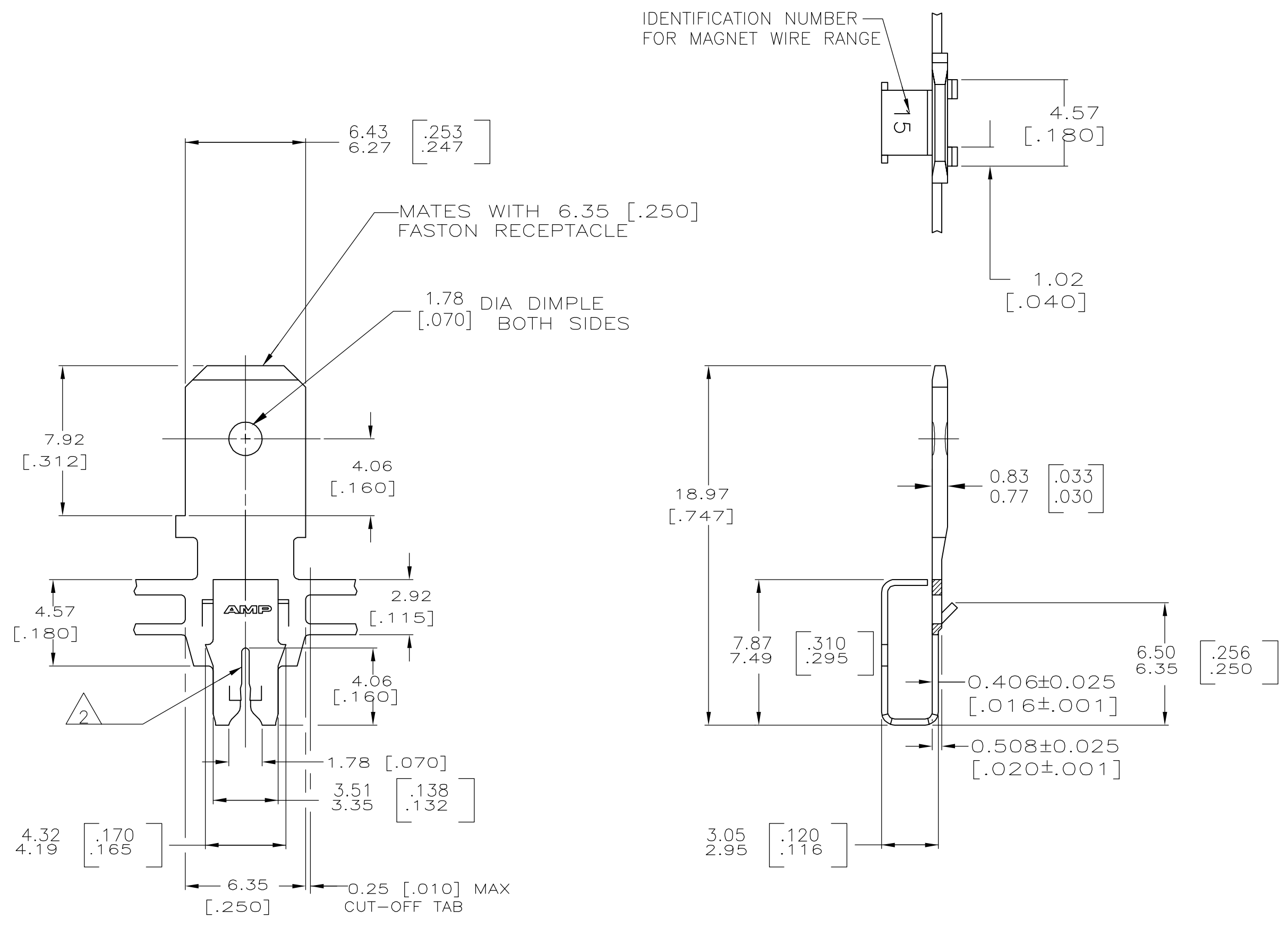
Email & Skype: info@chipsmall.com Web: www.chipsmall.com

Address: A1208, Overseas Decoration Building, #122 Zhenhua RD., Futian, Shenzhen, China



LOC	DIST	REVISIONS					
AF	50	P	LTR	DESCRIPTION	DATE	DWN	APVD
		G		REVISED PER ECR-06-010412	08NOV06	HMR	KR

- 1 CONTINUOUS STRIP ON REELS WITH TERMINALS LOCATED ON  $8.38 \pm 0.08$  [.330 ± .003] CENTERS.
- 2 SLOT TERMINATES A SINGLE COPPER MAGNET WIRE. WIRE RANGE: 0.64-0.81mm [#22-#20] AWG.
- 3 0.002032 [.000080] MIN TIN PLATE.



	082 PRE-MILLED BRASS	63601-2
OBSELETE	<del>4M PRE-MILLED BRASS</del>	<del>63601-1</del>
	MATERIAL	PART NUMBER

THIS DRAWING IS A CONTROLLED DOCUMENT.		DWN MICHAEL S. FEHER 14JAN2005	Tyco Electronics Corporation Harrisburg, PA 17105-3608	
DIMENSIONS: mm [INCHES]		CHK KURT A. RANDOLPH 14JAN2005	NAME KURT A. RANDOLPH	
TOLERANCES UNLESS OTHERWISE SPECIFIED:		APVD KURT A. RANDOLPH 14JAN2005	PRODUCT SPEC 108-2012	
0 PLC ± -		APPLICATION SPEC 114-2094		
1 PLC ± -		SIZE A2		
2 PLC ± -		CAGE CODE 00779		
3 PLC ± 0.25 [.010]		DRAWING NO G-63601		
4 PLC ± -		RESTRICTED TO -		
ANGLES ± -		WEIGHT -		
FINISH		SCALE 5:1		
SEE TABLE		SHEET 1 of 1		
3		REV G		
CUSTOMER DRAWING				