



Chipsmall Limited consists of a professional team with an average of over 10 year of expertise in the distribution of electronic components. Based in Hongkong, we have already established firm and mutual-benefit business relationships with customers from,Europe,America and south Asia,supplying obsolete and hard-to-find components to meet their specific needs.

With the principle of “Quality Parts,Customers Priority,Honest Operation,and Considerate Service”,our business mainly focus on the distribution of electronic components. Line cards we deal with include Microchip,ALPS,ROHM,Xilinx,Pulse,ON,Everlight and Freescale. Main products comprise IC,Modules,Potentiometer,IC Socket,Relay,Connector.Our parts cover such applications as commercial,industrial, and automotives areas.

We are looking forward to setting up business relationship with you and hope to provide you with the best service and solution. Let us make a better world for our industry!



Contact us

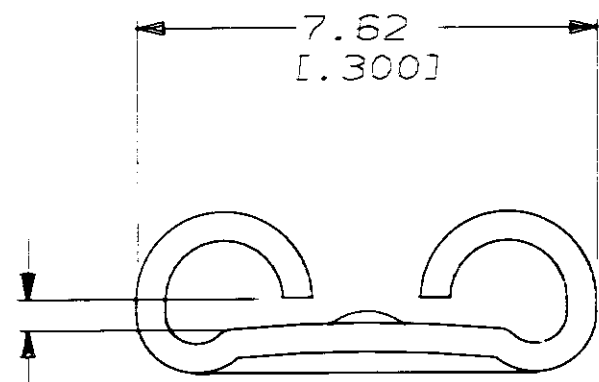
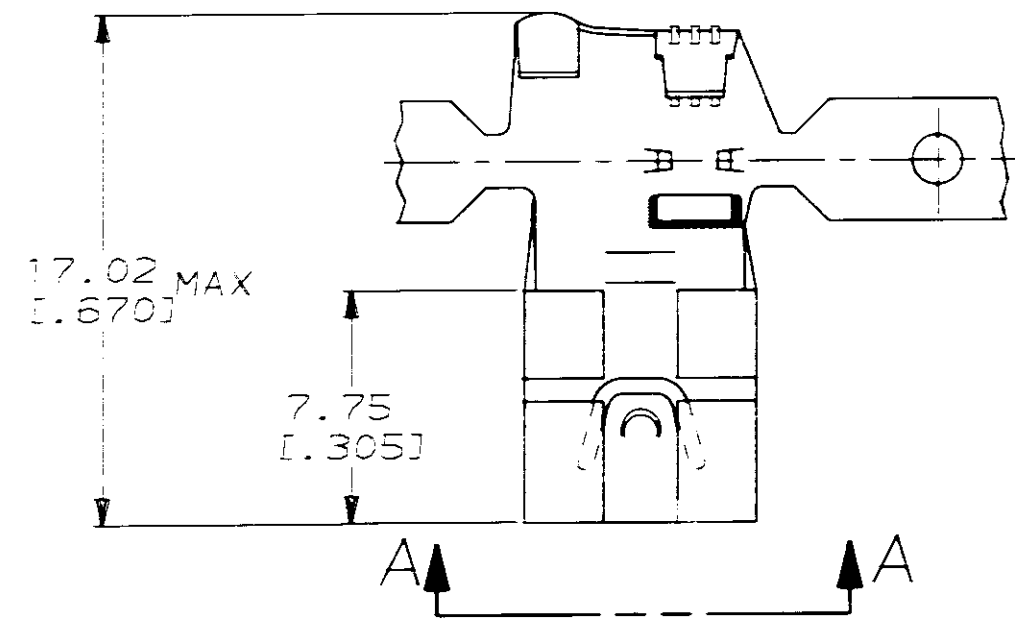
Tel: +86-755-8981 8866 Fax: +86-755-8427 6832

Email & Skype: info@chipsmall.com Web: www.chipsmall.com

Address: A1208, Overseas Decoration Building, #122 Zhenhua RD., Futian, Shenzhen, China



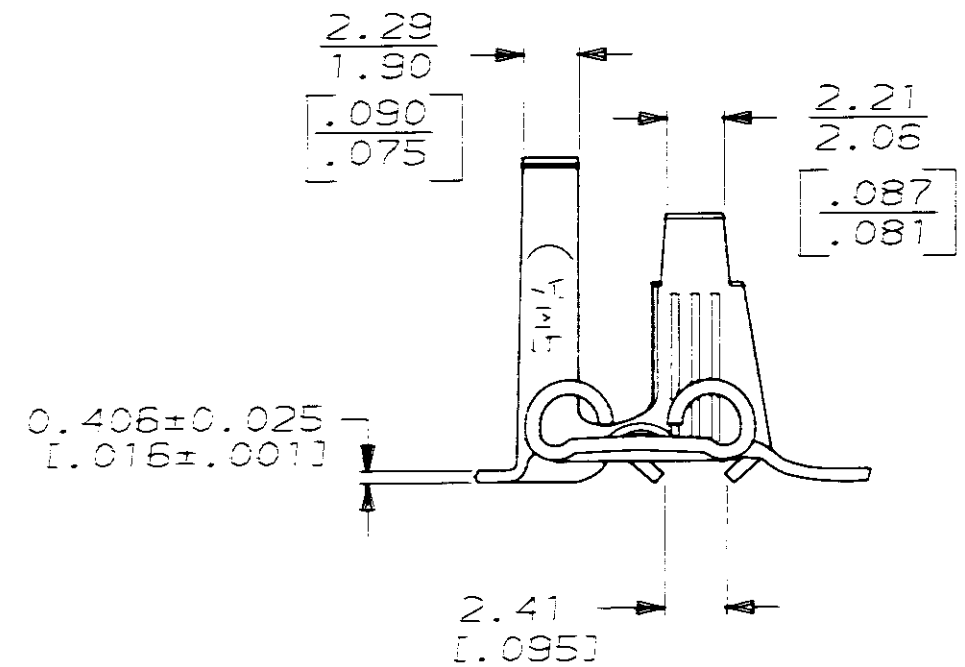
LOC	DIST	REVISIONS				
AF	50	P	F	ZONE	LTR	
					A	
DESCRIPTION					DATE	APPROVED
RELEASED					10/2/91	JR



FITS 6.35 [1.250] SERIES FASTON TAB

VIEW A-A
SCALE 8:1

- 1 CONTINUOUS STRIP ON REELS
- 2 0.00381 [1.000150] MIN NICKEL PL PER QQ-N-290



$\triangle 2$	2.79-5.33 [1.110-.210]	0.8mm ² -3.0mm ² [18-12] AWG	0.81±0.025 [1.032±.001]	63604-1
FINISH	INSULATION RANGE	WIRE SIZE	MATING TAB THK. ±.001	PART NO
UNLESS OTHERWISE SPECIFIED DIMENSIONS ARE IN INCHES TOLERANCES ON: 2 PL DEC ± 0.25 [1.010] 3 PL DEC ± - ANGLES ± -	DR P FORTNEY 5/13/91	AMP AMP INCORPORATED Harrisburg, Pa. 17105		
	CHK JR RUTH 5/13/91			
MATERIAL #2 HARD CRS	APPD C MEYERS 5/13/91	NAME RECEPTACLE, FASTON, FLAG 6.35 [1.250] SERIES		
	APPD R KUZC 5/13/91			
FINISH SEE TABLE	PRODUCT SPEC	SIZE B	FSCM NO 00779	DRAWING NO 63604
	APPLICATION SPEC	SCALE 4:1	SHEET 1 OF 1	
	WEIGHT			

METRIC

CUSTOMER DRAWING