



Chipsmall Limited consists of a professional team with an average of over 10 year of expertise in the distribution of electronic components. Based in Hongkong, we have already established firm and mutual-benefit business relationships with customers from,Europe,America and south Asia,supplying obsolete and hard-to-find components to meet their specific needs.

With the principle of “Quality Parts,Customers Priority,Honest Operation,and Considerate Service”,our business mainly focus on the distribution of electronic components. Line cards we deal with include Microchip,ALPS,ROHM,Xilinx,Pulse,ON,Everlight and Freescale. Main products comprise IC,Modules,Potentiometer,IC Socket,Relay,Connector.Our parts cover such applications as commercial,industrial, and automotives areas.

We are looking forward to setting up business relationship with you and hope to provide you with the best service and solution. Let us make a better world for our industry!



## Contact us

Tel: +86-755-8981 8866 Fax: +86-755-8427 6832

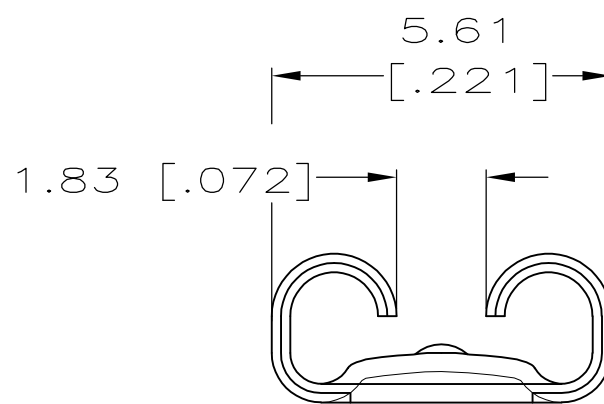
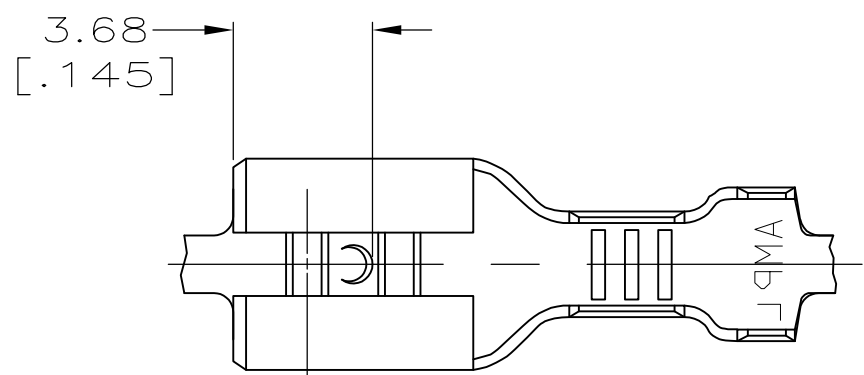
Email & Skype: info@chipsmall.com Web: www.chipsmall.com

Address: A1208, Overseas Decoration Building, #122 Zhenhua RD., Futian, Shenzhen, China

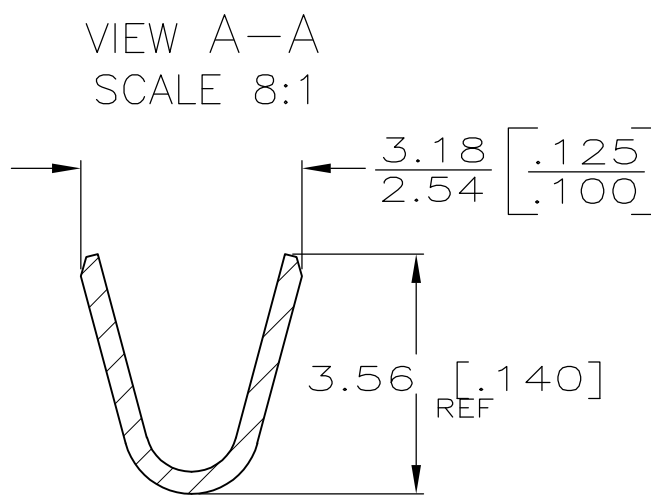
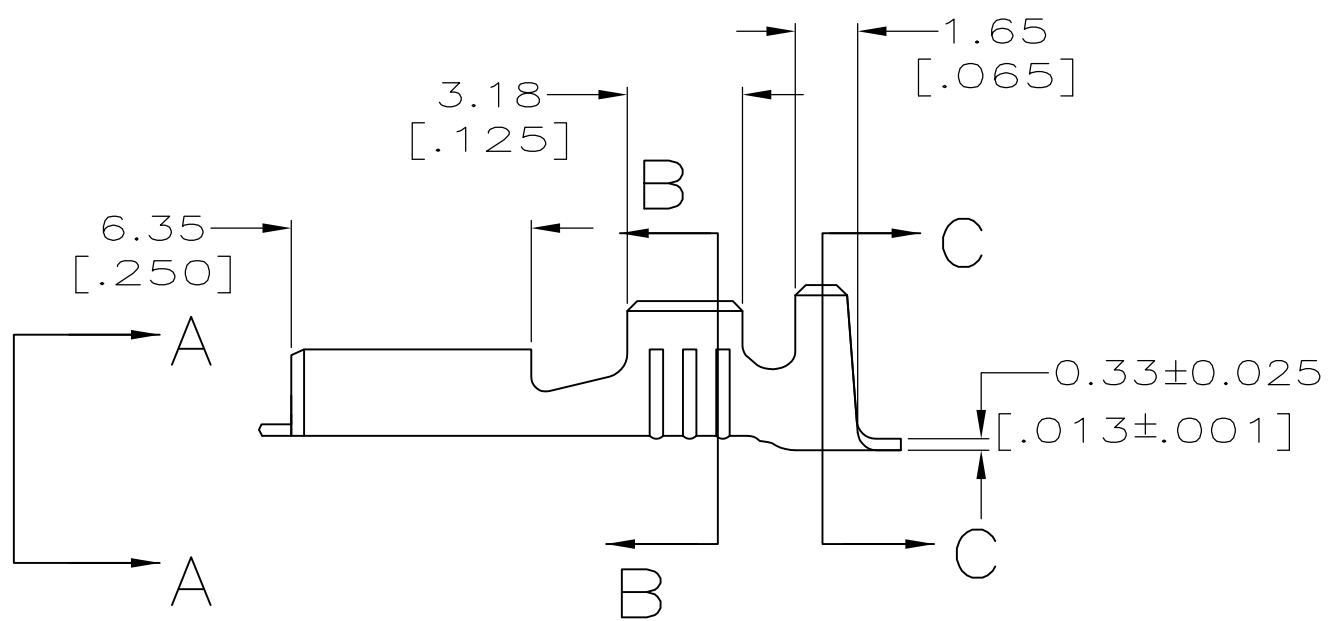


THIS DRAWING IS UNPUBLISHED. RELEASED FOR PUBLICATION  
 © COPYRIGHT - By - ALL RIGHTS RESERVED.

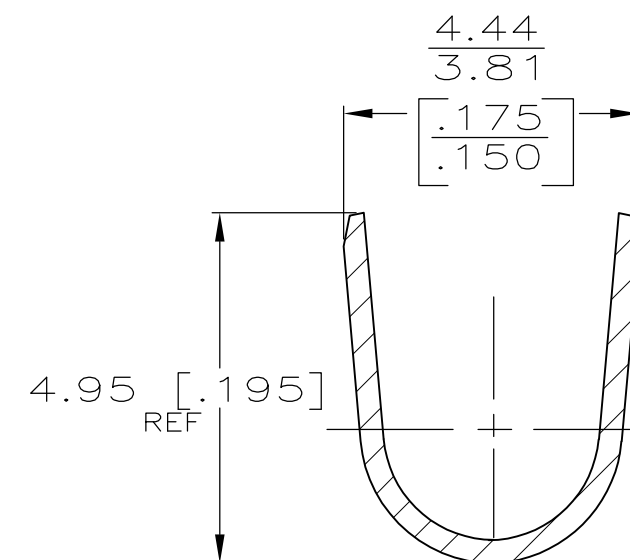
LOC	DIST	REVISIONS			
P	LTR	DESCRIPTION	DATE	DWN	APVD
AF	50	F	REVISED PER ECR-12-013518	23NOV2012	KH PD



- 1 ACCEPTS WIRE SIZE [#20-#16] AWG.
- 2 INSULATION RANGE IS 2.29-3.30 [.090-.130] DIA.
- 3 CONTINUOUS STRIP ON REELS.



SECTION B-B  
SCALE 8:1



SECTION C-C  
SCALE 8:1

OBSOLETE	TIN	0.81±0.025	63608-2
	-	[.032±.001]	<del>63608-1</del>
	FINISH	MATING TAB THICKNESS	

THIS DRAWING IS A CONTROLLED DOCUMENT.		DWN	JR RUTH	3/4/91	<b>TE Connectivity</b> RECEPTACLE, LIF, FASTON, 4.75 [.187] SERIES								
DIMENSIONS: mm [INCHES]		CHK	MS FEHER	3/4/91									
TOLERANCES UNLESS OTHERWISE SPECIFIED:		APVD	R BEAVER	3/4/91									
0 PLC ± - 1 PLC ± - 2 PLC ± 0.25 [.010] 3 PLC ± - 4 PLC ± - ANGLES ± -		PRODUCT SPEC	-										
MATERIAL	BRASS	FINISH	SEE TABLE	APPLICATION SPEC	-	SIZE	A3	CAGE CODE	00779	DRAWING NO	C-63608	RESTRICTED TO	-
				WEIGHT	-	CUSTOMER DRAWING		SCALE	5:1	SHEET	1 OF 1	REV	F