



Chipsmall Limited consists of a professional team with an average of over 10 year of expertise in the distribution of electronic components. Based in Hongkong, we have already established firm and mutual-benefit business relationships with customers from,Europe,America and south Asia,supplying obsolete and hard-to-find components to meet their specific needs.

With the principle of “Quality Parts,Customers Priority,Honest Operation,and Considerate Service”,our business mainly focus on the distribution of electronic components. Line cards we deal with include Microchip,ALPS,ROHM,Xilinx,Pulse,ON,Everlight and Freescale. Main products comprise IC,Modules,Potentiometer,IC Socket,Relay,Connector.Our parts cover such applications as commercial,industrial, and automotives areas.

We are looking forward to setting up business relationship with you and hope to provide you with the best service and solution. Let us make a better world for our industry!



## Contact us

Tel: +86-755-8981 8866 Fax: +86-755-8427 6832

Email & Skype: info@chipsmall.com Web: www.chipsmall.com

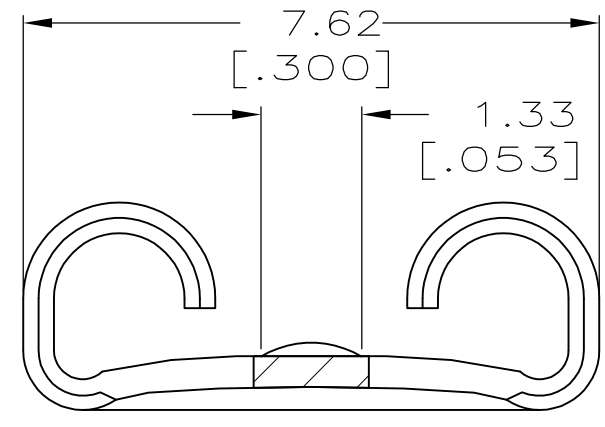
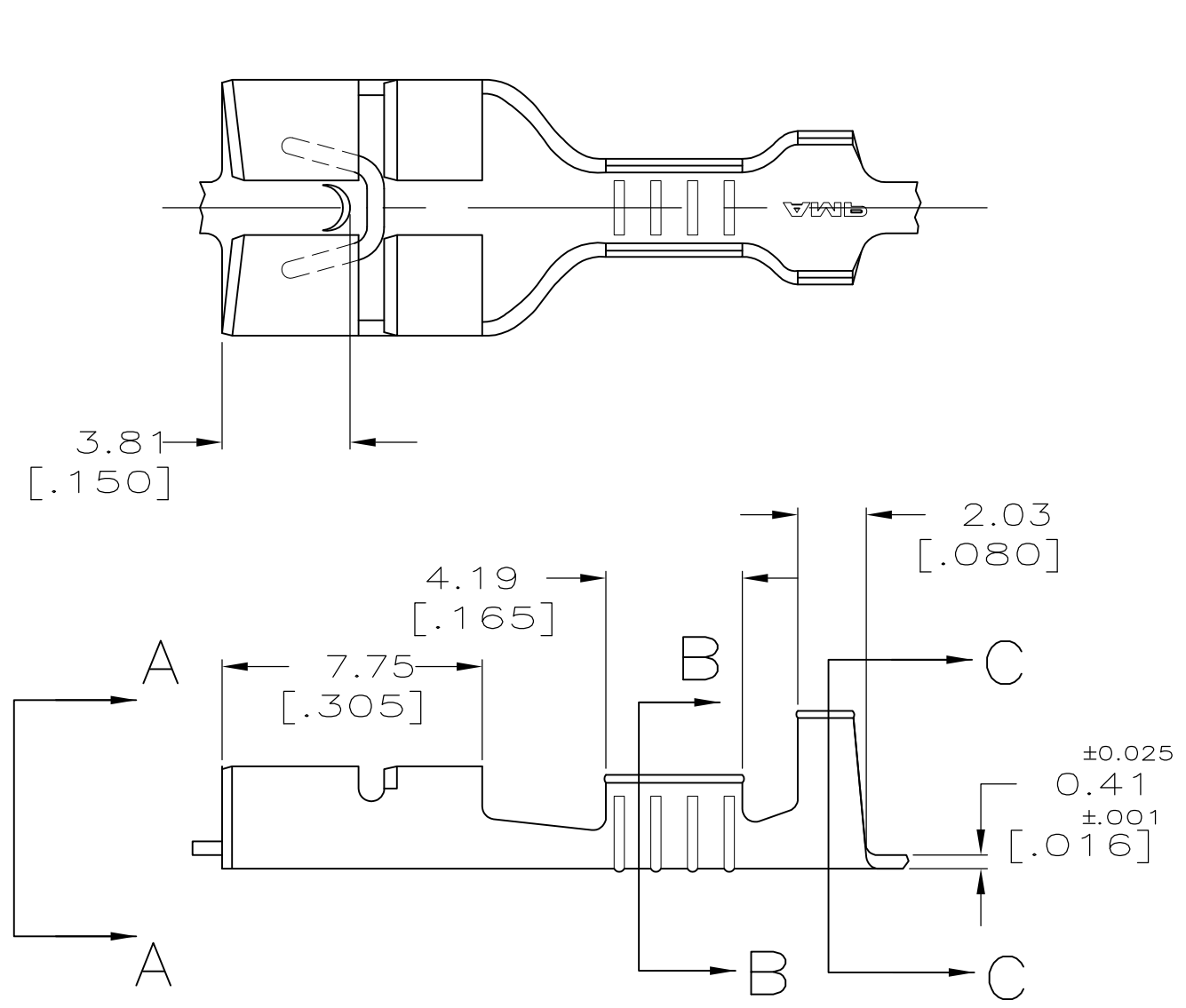
Address: A1208, Overseas Decoration Building, #122 Zhenhua RD., Futian, Shenzhen, China



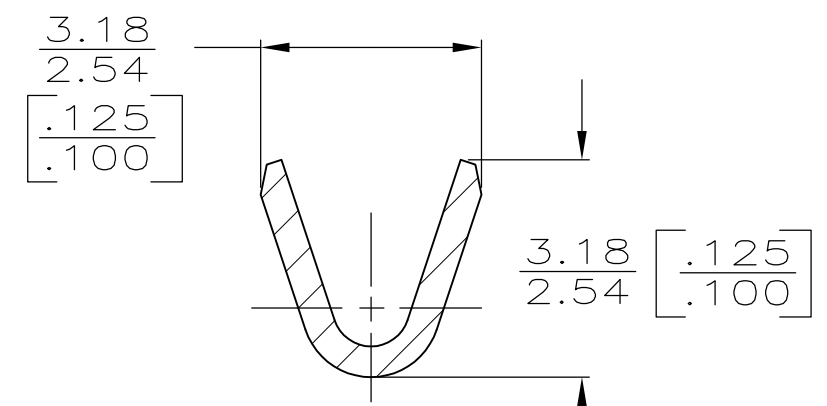
THIS DRAWING IS UNPUBLISHED. RELEASED FOR PUBLICATION  
 © COPYRIGHT - By - ALL RIGHTS RESERVED.

| LOC | DIST | REVISIONS |     |                           |           |     |      |
|-----|------|-----------|-----|---------------------------|-----------|-----|------|
| AF  | 50   | P         | LTR | DESCRIPTION               | DATE      | DWN | APVD |
|     |      | D         |     | REVISED PER ECR-12-013518 | 23NOV2012 | KH  | PD   |

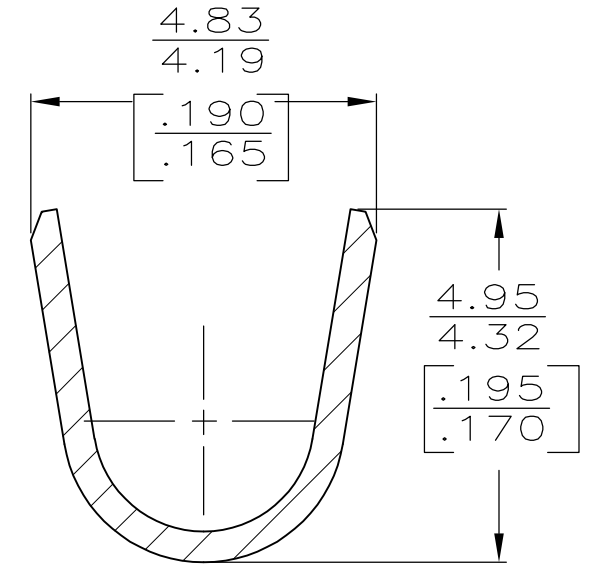
1 CONTINUOUS STRIP ON REELS



VIEW A-A  
SCALE 10:1



SECTION B-B  
SCALE 10:1



SECTION C-C  
SCALE 10:1

|                              |                                       |                                 |        |         |
|------------------------------|---------------------------------------|---------------------------------|--------|---------|
| 2.29-3.30<br>[.090-.130] DIA | 0.3-0.8mm <sup>2</sup><br>[22-18] AWG | 0.813<br>[.032]                 | TIN    | 63609-2 |
| INSULATION RANGE             | WIRE SIZE                             | MATING TAB THK<br>±0.025 [.001] | -      | 63609-1 |
|                              |                                       |                                 | FINISH | PART NO |

|                    |                |                                  |                   |                |                         |                         |
|--------------------|----------------|----------------------------------|-------------------|----------------|-------------------------|-------------------------|
| F OR O             | 3.30<br>[.130] | 5.59<br>[.220]                   | F                 | 2.29<br>[.090] | 1.42 [.056]             | 0.8mm <sup>2</sup> [18] |
|                    |                |                                  |                   |                | 1.30 [.051]             | 0.5mm <sup>2</sup> [20] |
|                    |                |                                  |                   |                | 1.24 [.049]             | 0.3mm <sup>2</sup> [22] |
| TYPE               | WIDTH          | STRIP LENGTH<br>±0.38<br>±[.015] | TYPE              | WIDTH          | HEIGHT<br>±.051 [±.002] | WIRE                    |
| INSUL BARREL CRIMP |                |                                  | WIRE BARREL CRIMP |                |                         |                         |

THIS DRAWING IS A CONTROLLED DOCUMENT.

DIMENSIONS: mm [INCHES]

TOLERANCES UNLESS OTHERWISE SPECIFIED:

|        |               |
|--------|---------------|
| 0 PLC  | ± -           |
| 1 PLC  | ± -           |
| 2 PLC  | ± 0.25 [.010] |
| 3 PLC  | ± -           |
| 4 PLC  | ± -           |
| ANGLES | ± -           |
| FINISH | SEE TABLE     |

MATERIAL: BRASS

DWN JR RUTH 4/3/91  
 CHK P FORTNEY 4/3/91  
 APVD C MEYERS 4/3/91

**STE** TE Connectivity

NAME: RECEPTACLE, FASTON, 6.35 [.250] SERIES

SIZE: A3 CAGE CODE: 00779 DRAWING NO: C-63609 RESTRICTED TO: -

WEIGHT: -

CUSTOMER DRAWING SCALE: 5:1 SHEET: 1 OF 1 REV: D