



Chipsmall Limited consists of a professional team with an average of over 10 year of expertise in the distribution of electronic components. Based in Hongkong, we have already established firm and mutual-benefit business relationships with customers from,Europe,America and south Asia,supplying obsolete and hard-to-find components to meet their specific needs.

With the principle of “Quality Parts,Customers Priority,Honest Operation,and Considerate Service”,our business mainly focus on the distribution of electronic components. Line cards we deal with include Microchip,ALPS,ROHM,Xilinx,Pulse,ON,Everlight and Freescale. Main products comprise IC,Modules,Potentiometer,IC Socket,Relay,Connector.Our parts cover such applications as commercial,industrial, and automotives areas.

We are looking forward to setting up business relationship with you and hope to provide you with the best service and solution. Let us make a better world for our industry!



Contact us

Tel: +86-755-8981 8866 Fax: +86-755-8427 6832

Email & Skype: info@chipsmall.com Web: www.chipsmall.com

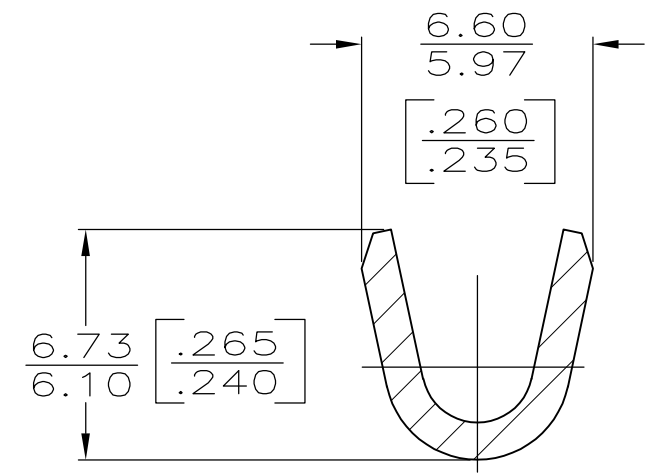
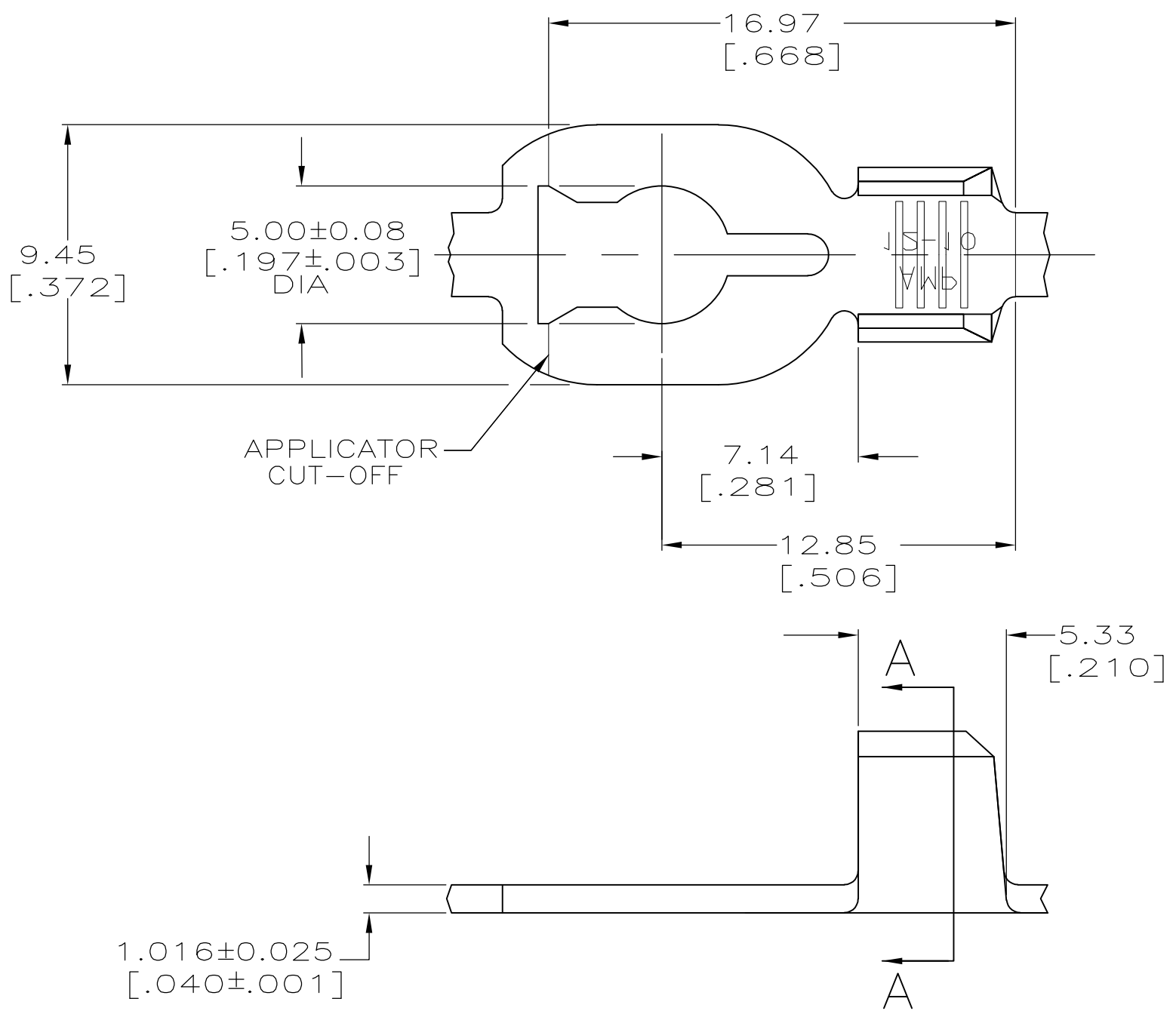
Address: A1208, Overseas Decoration Building, #122 Zhenhua RD., Futian, Shenzhen, China



THIS DRAWING IS UNPUBLISHED. RELEASED FOR PUBLICATION
 © COPYRIGHT BY TYCO ELECTRONICS CORPORATION. ALL INTERNATIONAL RIGHTS RESERVED.

LOC	DIST	REVISIONS					
AF	50	P	LTR	DESCRIPTION	DATE	DWN	APVD
		E		REVISED PER ECR-08-007819	19NOV08	HMR	DD

- 1 CONTINUOUS STRIP ON REELS.
- 2 WIRE SIZE IS 2.0-5.0mm2 [14-10] AWG



SECTION A-A

	TIN PLATING	63610-2
OBSOLETE		63610-1
	FINISH	PART NO.

6.98 [.275]	F	5.33 [.210]	3.22 [.135]	5.0mm² [10]
			2.92 [.123]	3.0mm² [12]
			2.74 [.115]	2.0mm² [14]
STRIP LENGTH ±0.38 [±.015]	TYPE	WIDTH	±0.051 [±.002] HEIGHT	WIRE
WIRE BARREL CRIMP				

THIS DRAWING IS A CONTROLLED DOCUMENT.

DIMENSIONS: mm [INCHES]

TOLERANCES UNLESS OTHERWISE SPECIFIED:

0 PLC	± -
1 PLC	± -
2 PLC	± 0.25 [.010]
3 PLC	± -
4 PLC	± -
ANGLES	± -

MATERIAL: #2 HARD BRASS

FINISH: SEE TABLE

DWN	P FORTNEY	5/24/91
CHK	MS FEHER	5/28/91
APVD	G YETTER	5/28/91
PRODUCT SPEC		
APPLICATION SPEC		
WEIGHT	-	

Tyco Electronics Tyco Electronics Corporation
Harrisburg, PA 17105-3608

NAME: TERMINAL, SPRING SPADE

SIZE	CAGE CODE	DRAWING NO	RESTRICTED TO
A3	00779	G-63610	-

CUSTOMER DRAWING SCALE: 5:1 SHEET: 1 OF 1 REV: E