



Chipsmall Limited consists of a professional team with an average of over 10 year of expertise in the distribution of electronic components. Based in Hongkong, we have already established firm and mutual-benefit business relationships with customers from,Europe,America and south Asia,supplying obsolete and hard-to-find components to meet their specific needs.

With the principle of "Quality Parts,Customers Priority,Honest Operation,and Considerate Service",our business mainly focus on the distribution of electronic components. Line cards we deal with include Microchip,ALPS,ROHM,Xilinx,Pulse,ON,Everlight and Freescale. Main products comprise IC,Modules,Potentiometer,IC Socket,Relay,Connector.Our parts cover such applications as commercial,industrial, and automotives areas.

We are looking forward to setting up business relationship with you and hope to provide you with the best service and solution. Let us make a better world for our industry!



## Contact us

Tel: +86-755-8981 8866 Fax: +86-755-8427 6832

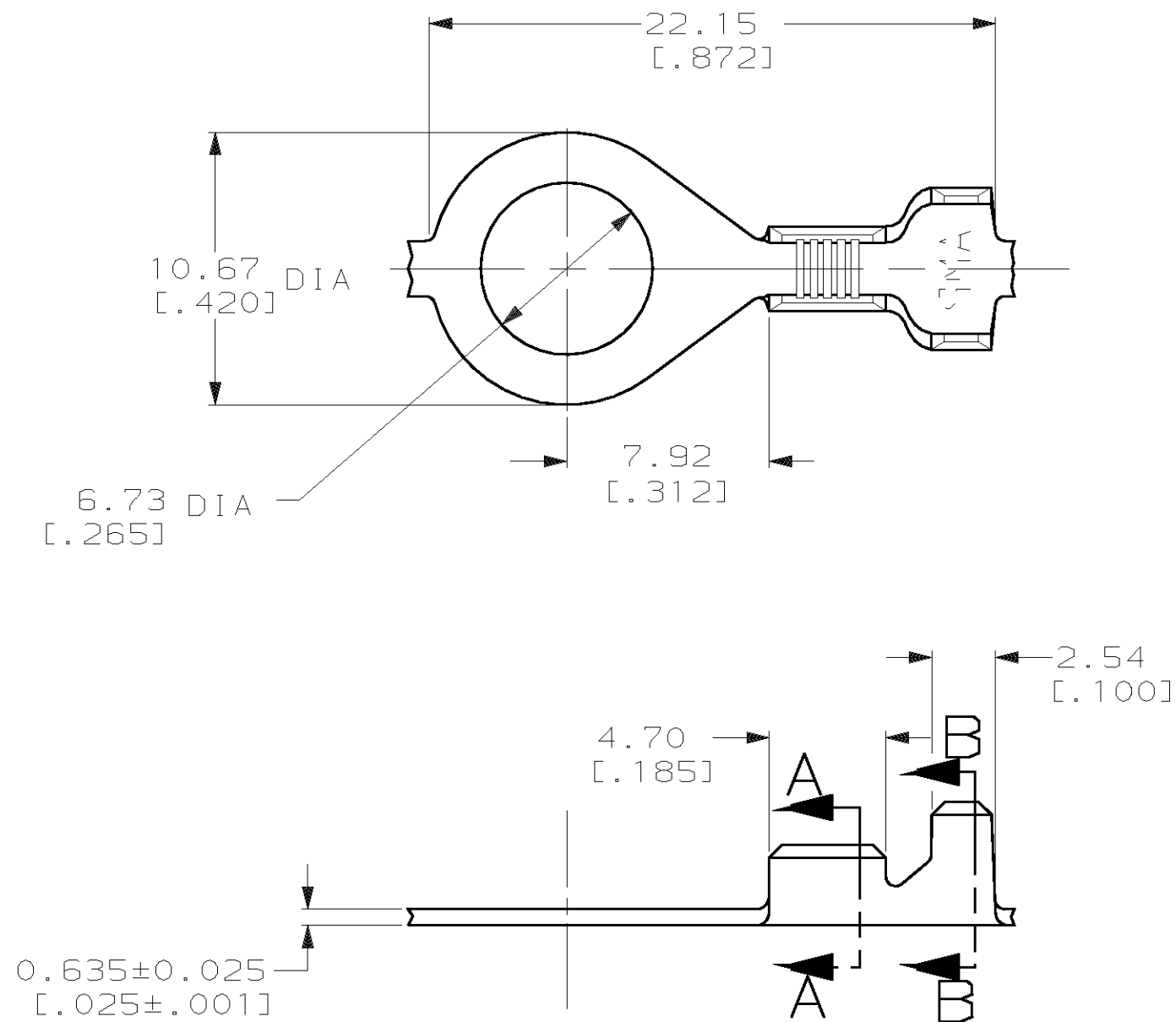
Email & Skype: info@chipsmall.com Web: www.chipsmall.com

Address: A1208, Overseas Decoration Building, #122 Zhenhua RD., Futian, Shenzhen, China

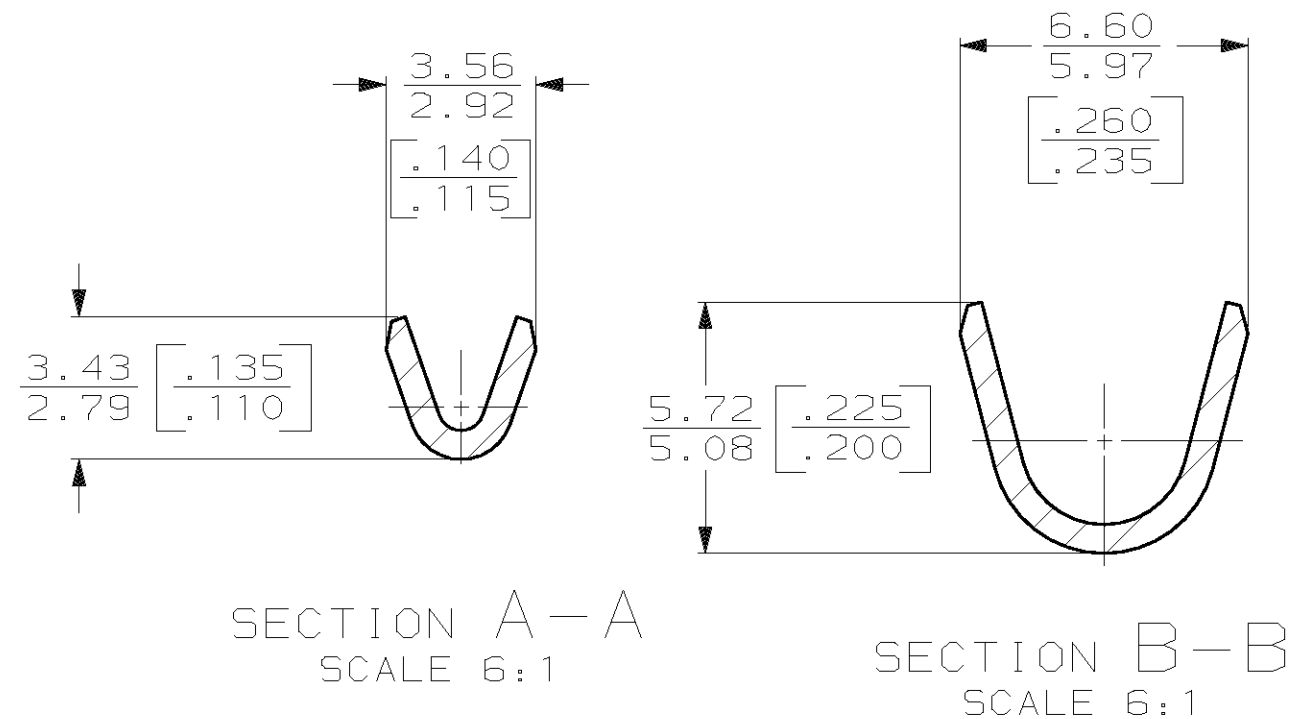


THIS DRAWING IS UNPUBLISHED. RELEASED FOR PUBLICATION, 19  
 © COPYRIGHT 19 BY AMP INCORPORATED. ALL INTERNATIONAL RIGHTS RESERVED.

LOC	DIST	P	F	REVISIONS				
				ZONE	LTR	DESCRIPTION	DATE	APPD
AF	50				C	REV PER AF-7544	3/12/92	PF/GY



- 1 CONTINUOUS STRIP ON REELS.
- 2 REELED WITH PAPER INTERLEAF.



**METRIC**

3.18-4.19 DIA [.125-.165]	0.3 -0.8mm [22-18] AWG	63612-1
INSULATION RANGE	WIRE RANGE	PART NO

F OR 0	5.59 [.220]	F	2.54 [.100]	1.57 [.062]	0.8mm <sup>2</sup> [18]
				1.47 [.058]	0.5mm <sup>2</sup> [20]
				1.42 [.056]	0.3mm <sup>2</sup> [22]
TYPE	WIDTH	TYPE	WIDTH	±0.051 [E.002] HEIGHT	WIRE
INSUL BARREL CRIMP		WIRE BARREL CRIMP			

DO NOT SCALE PRINT.  
 UNLESS SPECIFIED  
 DIMENSIONS IN mm [INCHES]  
 TOLERANCES ON:  
 2 PLC DEC ± 0.25 [.010]  
 3 PLC DEC ± -  
 ANGLES ± -  
 MATERIAL  
 #2 HARD BRASS  
 FINISH  
 0.002032 [.000080]  
 MIN TIN PL  
 PER MIL-T-10727

DR 1/10/91 P FORTNEY
CHK 1/14/91 MS FEHER
APPD 1/14/91 G YETTER
APPD 1/14/91 R WEAVILL
PRODUCT SPEC -
APPLICATION SPEC -
WEIGHT -

<b>AMP</b> AMP Incorporated Harrisburg, PA 17105-3608		
NAME RING, AMPLIVAR <sup>TM</sup>		
SIZE B	CAGE CODE 00779	DRAWING NO 63612
SCALE 4:1	SHEET 1 OF 1	