



Chipsmall Limited consists of a professional team with an average of over 10 year of expertise in the distribution of electronic components. Based in Hongkong, we have already established firm and mutual-benefit business relationships with customers from,Europe,America and south Asia,supplying obsolete and hard-to-find components to meet their specific needs.

With the principle of “Quality Parts,Customers Priority,Honest Operation,and Considerate Service”,our business mainly focus on the distribution of electronic components. Line cards we deal with include Microchip,ALPS,ROHM,Xilinx,Pulse,ON,Everlight and Freescale. Main products comprise IC,Modules,Potentiometer,IC Socket,Relay,Connector.Our parts cover such applications as commercial,industrial, and automotives areas.

We are looking forward to setting up business relationship with you and hope to provide you with the best service and solution. Let us make a better world for our industry!



Contact us

Tel: +86-755-8981 8866 Fax: +86-755-8427 6832

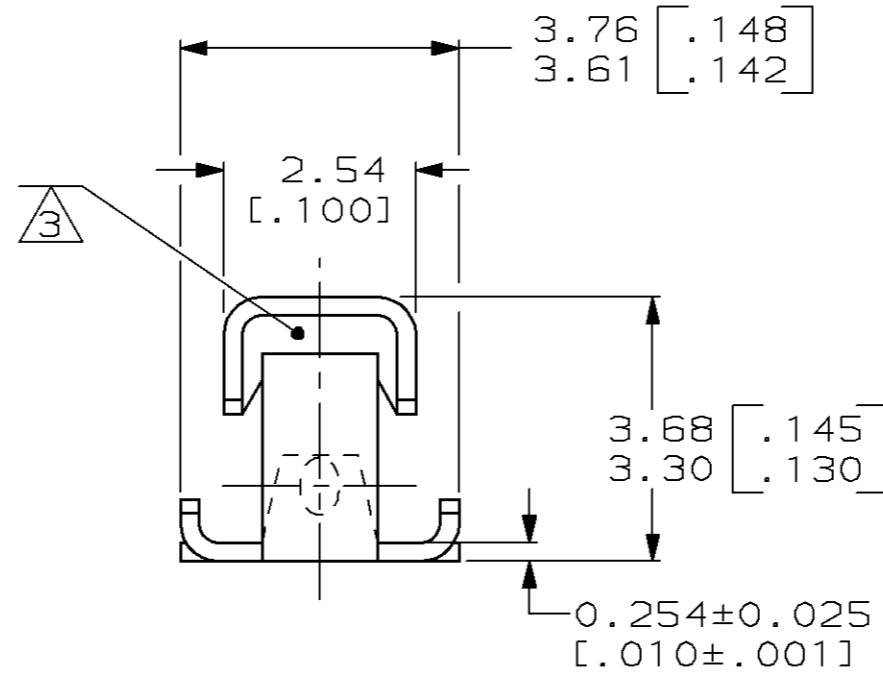
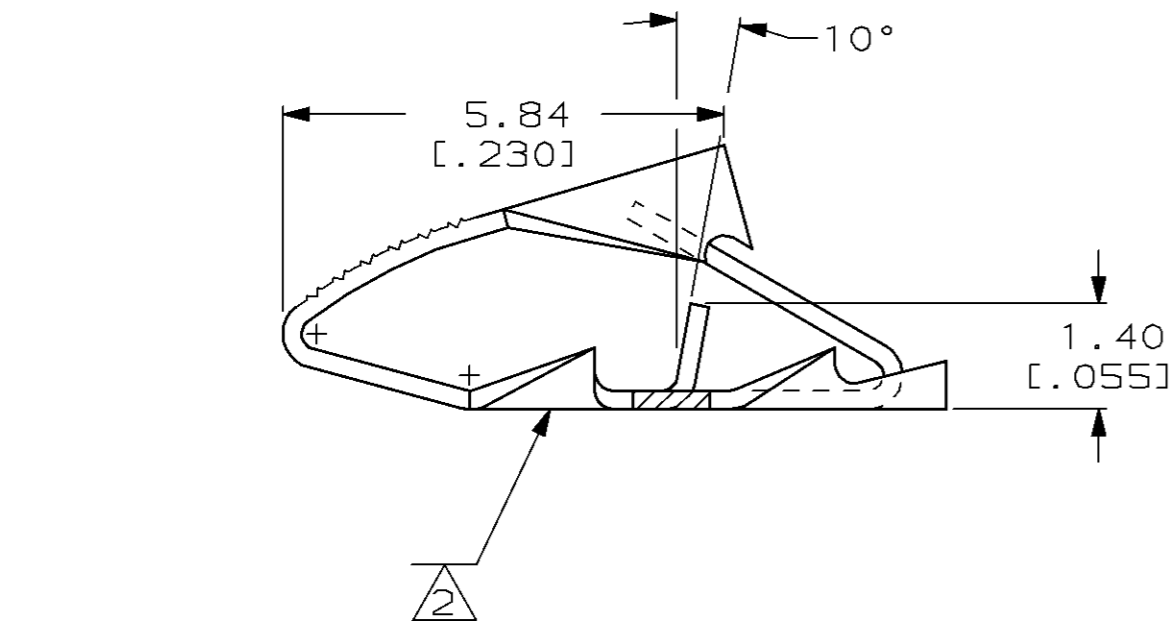
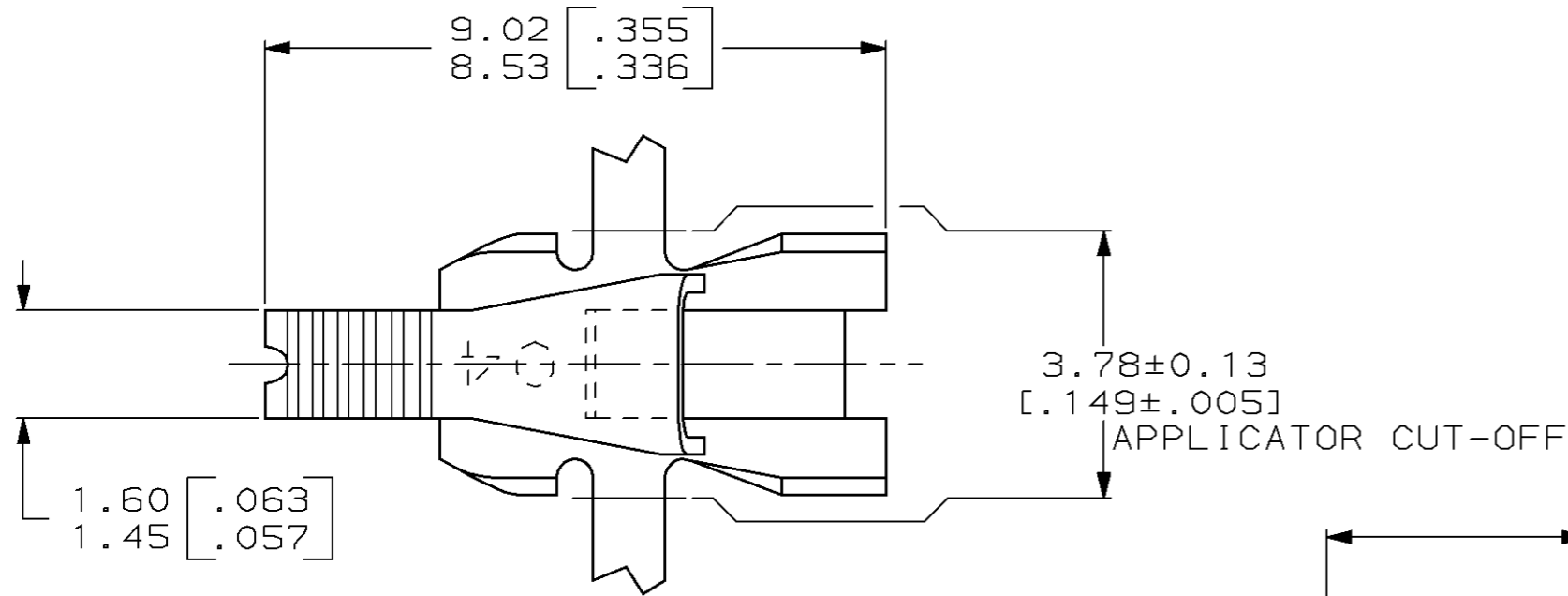
Email & Skype: info@chipsmall.com Web: www.chipsmall.com

Address: A1208, Overseas Decoration Building, #122 Zhenhua RD., Futian, Shenzhen, China



THIS DRAWING IS UNPUBLISHED. RELEASED FOR PUBLICATION, 19 .
 © COPYRIGHT 19 BY AMP INCORPORATED. ALL INTERNATIONAL RIGHTS RESERVED.

LOC	DIST	P	F	REVISIONS				
				ZONE	LTR	DESCRIPTION	DATE	APPD
AF	50				C	REVISE PER ECN 0G1A-0178-98	06AUG98	SU/KR



- 1 CONTINUOUS STRIP ON REELS WITH TERMINALS LOCATED ON 6.10 [.240] CENTERS.
- 2 IDENTIFICATION NUMBER (04) FOR MAGNET WIRE RANGE.
- 3 TERMINAL ACCEPTS A 1.27 X 0.51 [.050 X .020] POST.



0.02-0.06mm [#52-#42] AWG		63613-1	
COPPER MAGNET WIRE RANGE		PART NUMBER	
DO NOT SCALE PRINT. UNLESS SPECIFIED DIMENSIONS IN mm [INCHES] TOLERANCES ON: 2 PLC DEC ± 0.25 [.010] 3 PLC DEC ± - ANGLES ± -		AMP INCORPORATED Harrisburg, Pa. 17105	
DR 9/10/91 MICHAEL S. FEHER		NAME TERMINAL, POKE-IN, MINI MAG-MATE™	
CHK 9/10/91 JEFF R. RUTH			
APPD 9/11/91 NELSON E. NEFF		SIZE B	
APPD 9/16/91 TERRY L. SHUTTER		CAGE CODE 00779	
PRODUCT SPEC -		DRAWING NO 63613	
MATERIAL H02 HARD BRASS		SCALE 10:1	
FINISH 0.002032 [.000080] MIN TIN PER MIL-T-10727		SHEET 1 OF 1	
APPLICATION SPEC 114-2047			
WEIGHT -			