



Chipsmall Limited consists of a professional team with an average of over 10 year of expertise in the distribution of electronic components. Based in Hongkong, we have already established firm and mutual-benefit business relationships with customers from,Europe,America and south Asia,supplying obsolete and hard-to-find components to meet their specific needs.

With the principle of “Quality Parts,Customers Priority,Honest Operation,and Considerate Service”,our business mainly focus on the distribution of electronic components. Line cards we deal with include Microchip,ALPS,ROHM,Xilinx,Pulse,ON,Everlight and Freescale. Main products comprise IC,Modules,Potentiometer,IC Socket,Relay,Connector.Our parts cover such applications as commercial,industrial, and automotives areas.

We are looking forward to setting up business relationship with you and hope to provide you with the best service and solution. Let us make a better world for our industry!



Contact us

Tel: +86-755-8981 8866 Fax: +86-755-8427 6832

Email & Skype: info@chipsmall.com Web: www.chipsmall.com

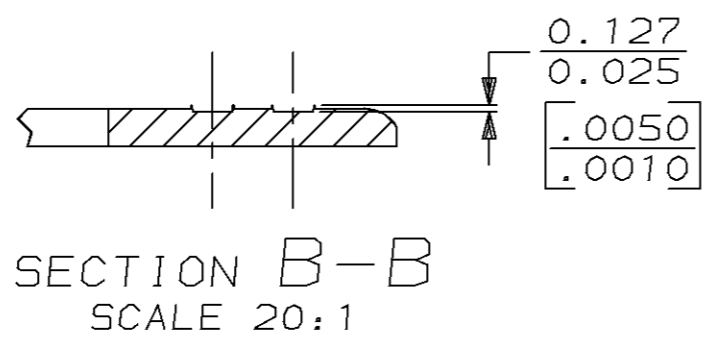
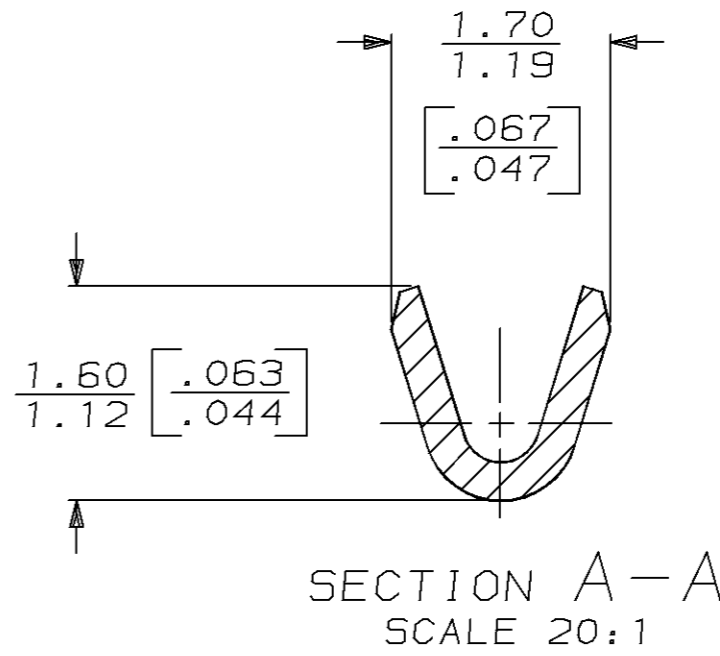
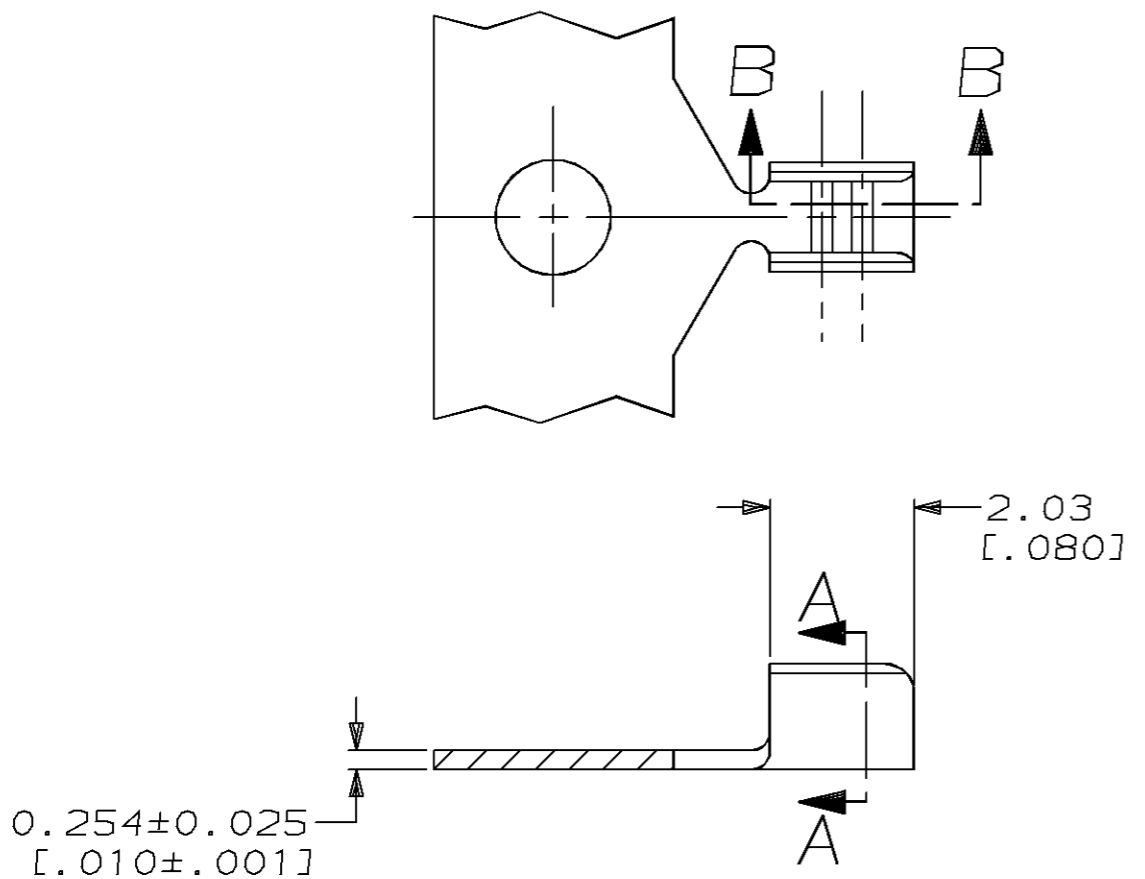
Address: A1208, Overseas Decoration Building, #122 Zhenhua RD., Futian, Shenzhen, China



THIS DRAWING IS UNPUBLISHED. RELEASED FOR PUBLICATION, 19 .
 © COPYRIGHT 19 BY AMP INCORPORATED. ALL INTERNATIONAL RIGHTS RESERVED.

LOC	DIST	P	F	REVISIONS				
				ZONE	LTR	DESCRIPTION	DATE	APPD
AF	50				C	OBSOLETE -2 PER 0710-0274-96	PF/DS	19/JUN/96

- 1 CONTINUOUS STRIP ON REEL.
- 2 0.00254 [.000100] MIN TIN PL PER MIL-T-10727.
- 3 0.00254 [.000100] MIN TIN PL PER MIL-T-10727 OVER 0.00254 [.000100] MIN COPPER UNDERPLATE PER MIL-C-14550.



METRIC

OBSOLETE	3	100-300 CMA	63621-2
	2		63621-1
	FINISH	WIRE RANGE	PART NO
DO NOT SCALE PRINT. UNLESS SPECIFIED DIMENSIONS IN mm [INCHES] TOLERANCES ON: 2 PLC DEC ± 0.25 [.010] 3 PLC DEC ± - ANGLES ± -	DR 8/8/91 P FORTNEY CHK 8/8/91 MS FEHER APPD 8/8/91 D SCHWENK APPD 8/8/91 R WEAUVILL PRODUCT SPEC - APPLICATION SPEC - WEIGHT -	AMP AMP Incorporated Harrisburg, PA 17105-3608 NAME SPLICE, AMPLIVAR, SUB-MINIATURE	
MATERIAL 082 BRASS		SIZE B	CAGE CODE 00779
FINISH SEE TABLE		SCALE 10:1	DRAWING NO 63621
			SHEET 1 OF 1