



Chipsmall Limited consists of a professional team with an average of over 10 year of expertise in the distribution of electronic components. Based in Hongkong, we have already established firm and mutual-benefit business relationships with customers from,Europe,America and south Asia,supplying obsolete and hard-to-find components to meet their specific needs.

With the principle of "Quality Parts,Customers Priority,Honest Operation,and Considerate Service",our business mainly focus on the distribution of electronic components. Line cards we deal with include Microchip,ALPS,ROHM,Xilinx,Pulse,ON,Everlight and Freescale. Main products comprise IC,Modules,Potentiometer,IC Socket,Relay,Connector.Our parts cover such applications as commercial,industrial, and automotives areas.

We are looking forward to setting up business relationship with you and hope to provide you with the best service and solution. Let us make a better world for our industry!



Contact us

Tel: +86-755-8981 8866 Fax: +86-755-8427 6832

Email & Skype: info@chipsmall.com Web: www.chipsmall.com

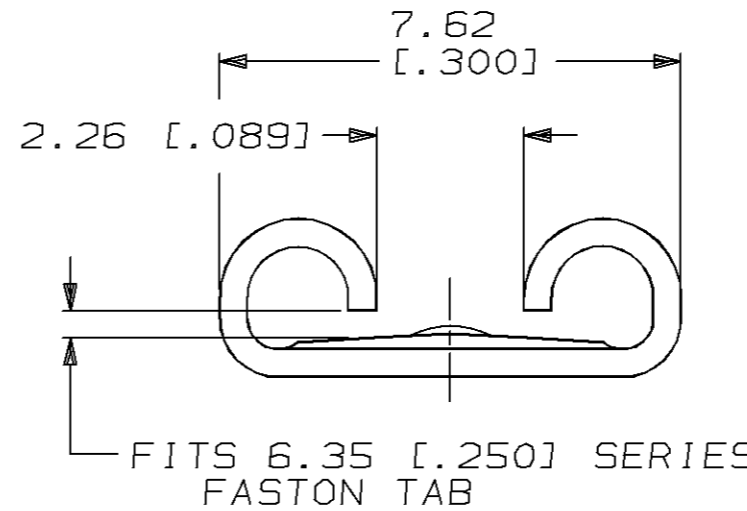
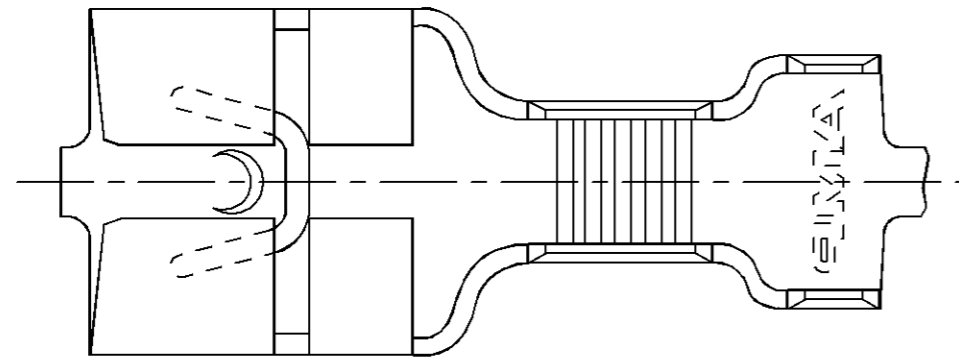
Address: A1208, Overseas Decoration Building, #122 Zhenhua RD., Futian, Shenzhen, China



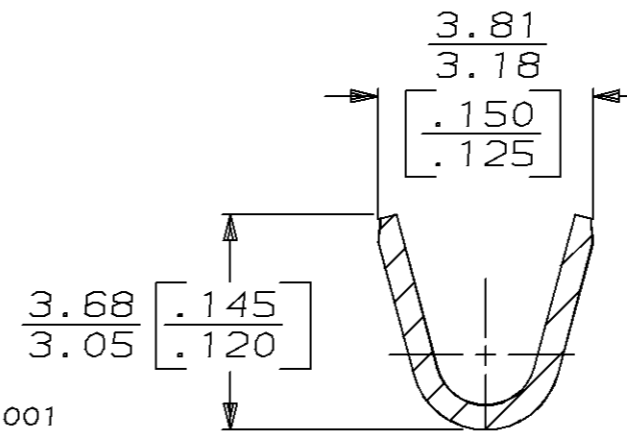
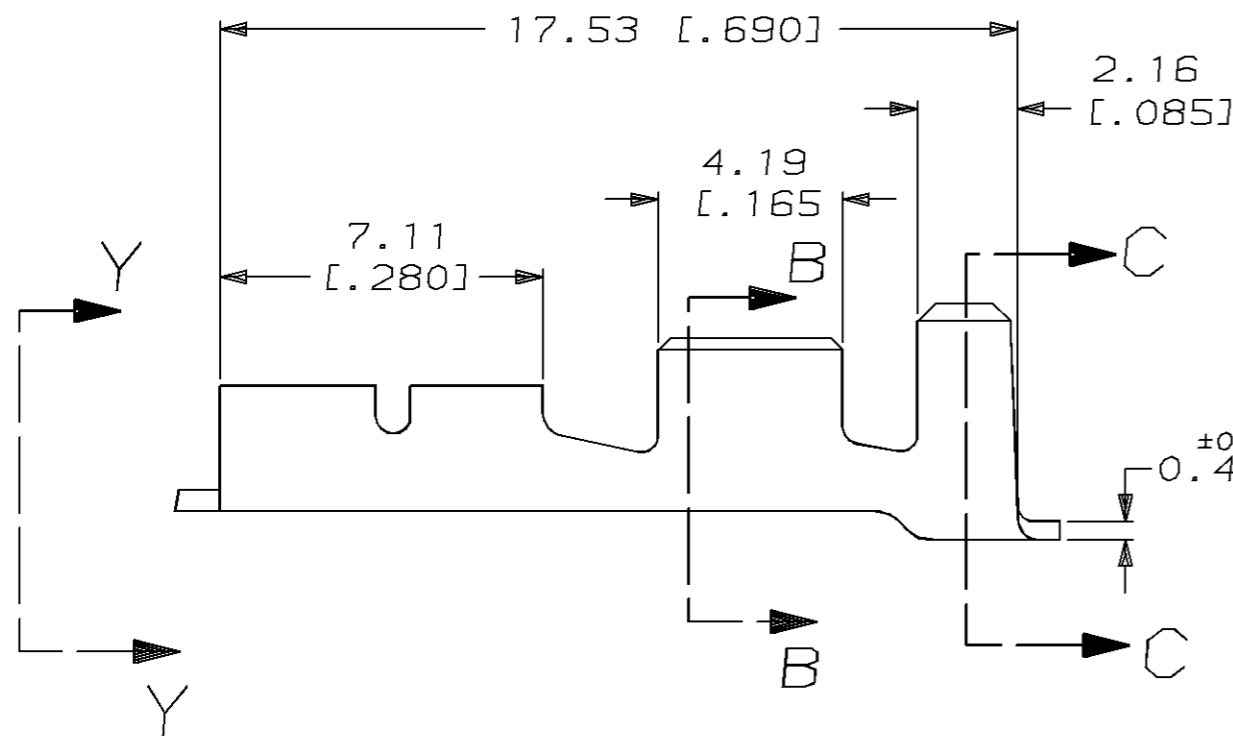
THIS DRAWING IS UNPUBLISHED. RELEASED FOR PUBLICATION, 19
 © COPYRIGHT 19 BY AMP INCORPORATED. ALL INTERNATIONAL RIGHTS RESERVED.

LOC	DIST	P	F	ZONE	LTR	DESCRIPTION	DATE	APPD
AF	50				B	REV PER 0368-94	8/23/94	JR/PD

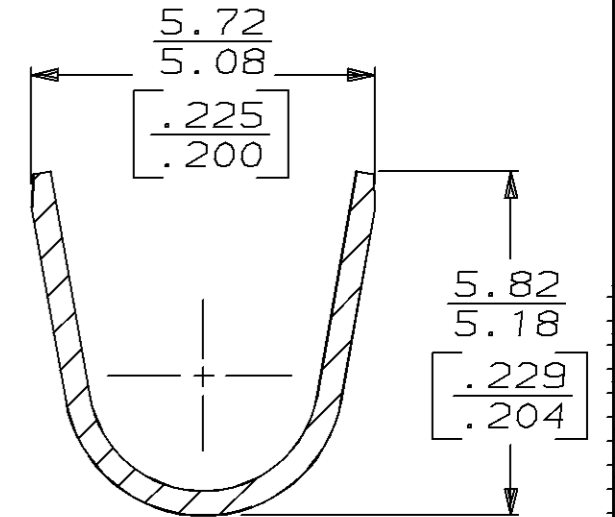
1 CONTINUOUS STRIP ON REELS



VIEW Y-Y
SCALE 8:1



SECTION B-B
SCALE 8:1



SECTION C-C
SCALE 8:1

3.05-4.32 [.120-.170] DIA		0.8-2.0mm ² (2) 0.6 [18-14 OR (2) #19]		0.51 [.020]		63622-1	
INSUL RANGE		WIRE SIZE		MATING TAB THK ±0.025 ±[.001]		PART NO	
F	4.57 [.180]	F	3.05 [.120]	DO NOT SCALE PRINT. UNLESS SPECIFIED DIMENSIONS ARE IN MM [INCHES] TOLERANCES ON: 2 PLC DEC ± - 3 PLC DEC ± 0.25 [.010] ANGLES ± -		AMP AMP INCORPORATED Harrisburg, Pa. 17105	
				DR 8/23/91 JR RUTH CHK 8/23/91 MS FEHER APPD 8/23/91 C MEYERS APPD 8/23/91 R KUZO PRODUCT SPEC - APPLICATION SPEC - WEIGHT -		NAME RECEPTACLE, FASTON, TM L.I.F., AMPLIVAR, 6.35 [.250] SERIES	
TYPE	WIDTH	TYPE	WIDTH	MATERIAL		SIZE	FSCM NO
INSUL BARREL CRIMP		WIRE BARREL CRIMP		H04 BRASS		B	00779
				FINISH		SCALE	DRAWING NO
						6:1	63622
							SHEET
							1 OF 1