



Chipsmall Limited consists of a professional team with an average of over 10 year of expertise in the distribution of electronic components. Based in Hongkong, we have already established firm and mutual-benefit business relationships with customers from,Europe,America and south Asia,supplying obsolete and hard-to-find components to meet their specific needs.

With the principle of "Quality Parts,Customers Priority,Honest Operation,and Considerate Service",our business mainly focus on the distribution of electronic components. Line cards we deal with include Microchip,ALPS,ROHM,Xilinx,Pulse,ON,Everlight and Freescale. Main products comprise IC,Modules,Potentiometer,IC Socket,Relay,Connector.Our parts cover such applications as commercial,industrial, and automotives areas.

We are looking forward to setting up business relationship with you and hope to provide you with the best service and solution. Let us make a better world for our industry!



Contact us

Tel: +86-755-8981 8866 Fax: +86-755-8427 6832

Email & Skype: info@chipsmall.com Web: www.chipsmall.com

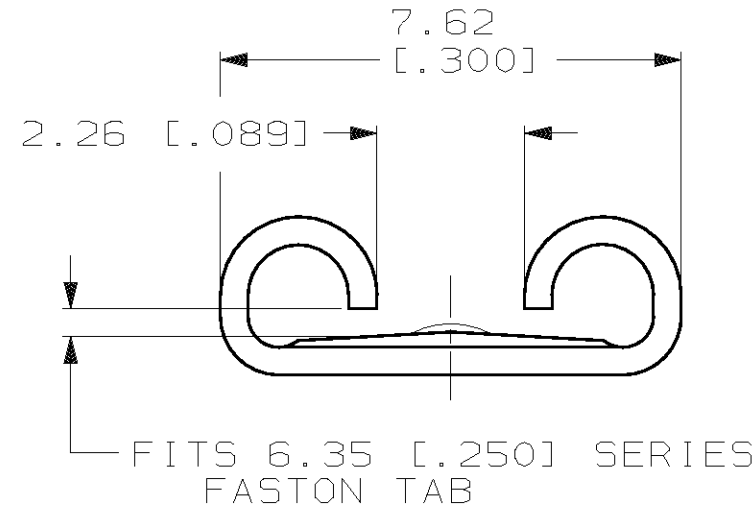
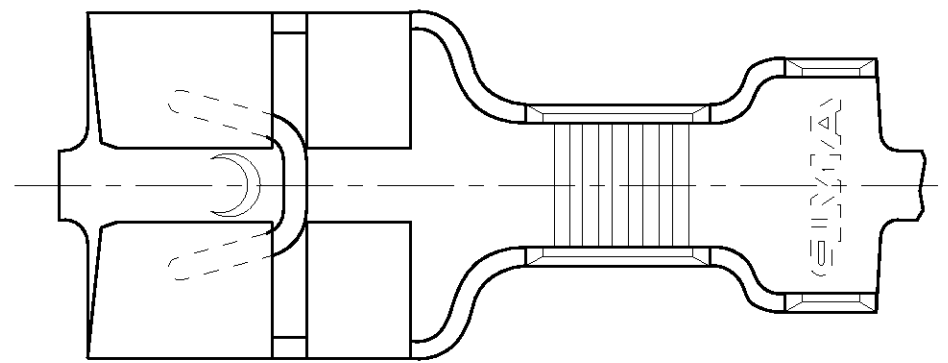
Address: A1208, Overseas Decoration Building, #122 Zhenhua RD., Futian, Shenzhen, China



THIS DRAWING IS UNPUBLISHED. RELEASED FOR PUBLICATION, 19
 © COPYRIGHT 19 BY AMP INCORPORATED. ALL INTERNATIONAL RIGHTS RESERVED.

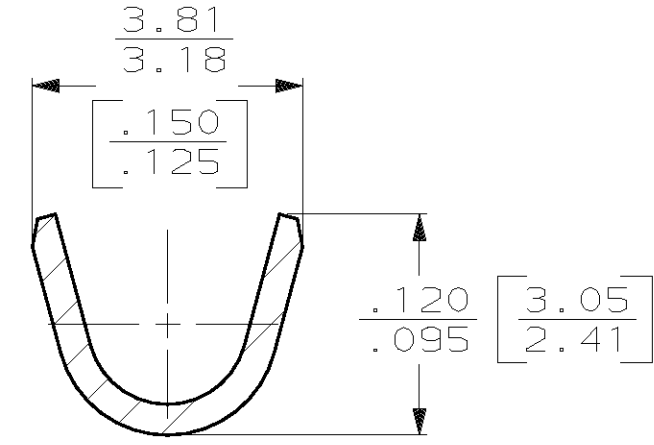
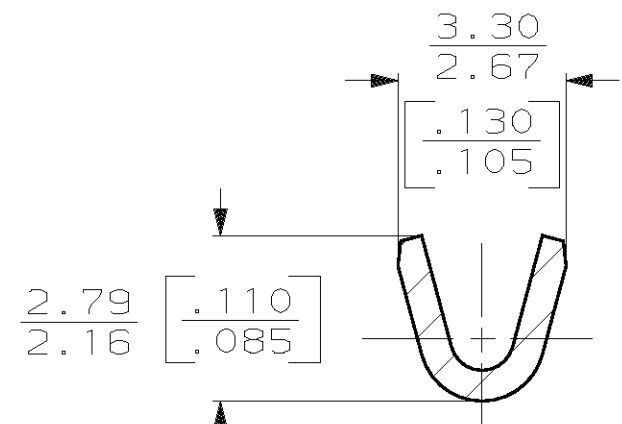
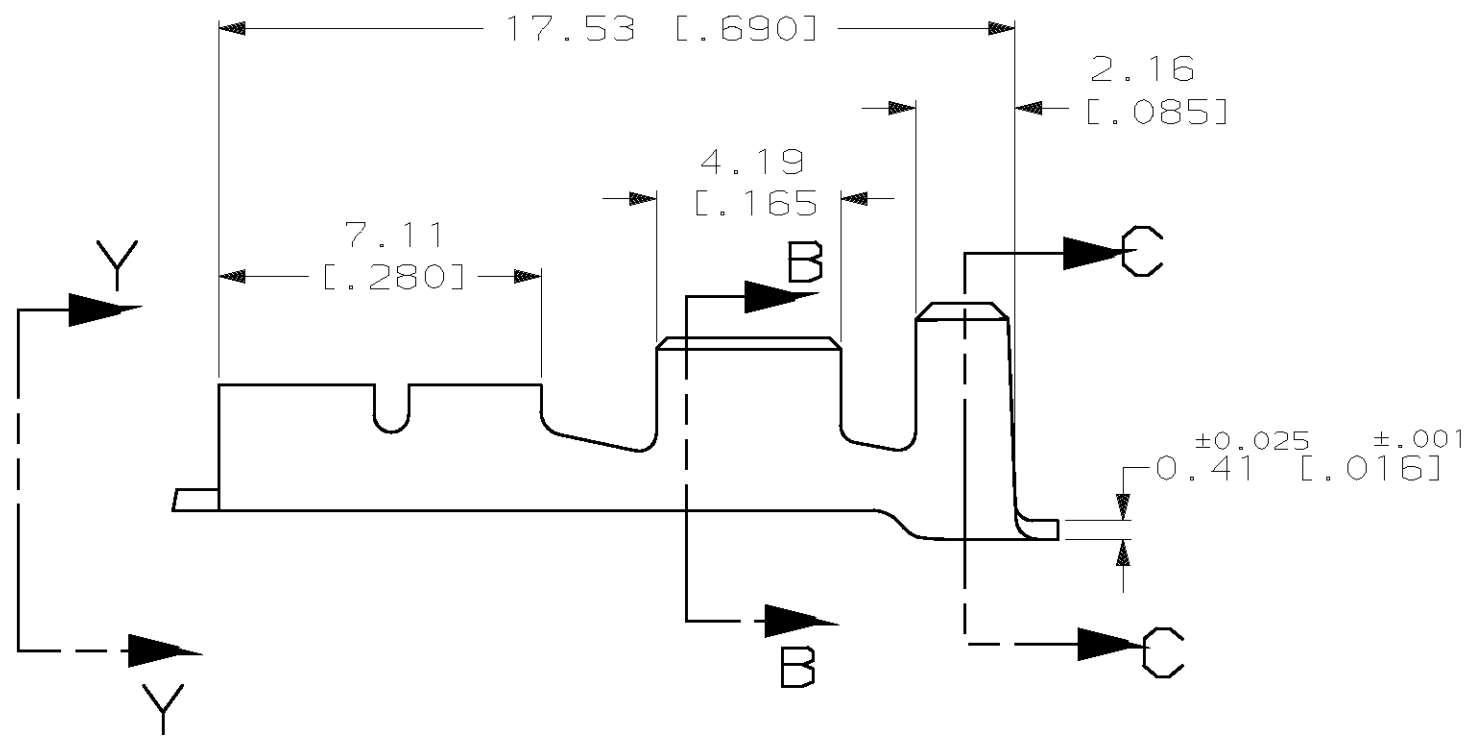
LOC AF DIST 50 P F

REVISIONS				DATE	APPD
ZONE	LTR	DESCRIPTION			
C		ADDED -2 PER 0G1A-0045-98	3/18/98	JR/JW	



- 1 CONTINUOUS STRIP ON REELS
- 2 MATING TAB THK TO BE 0.51±0.025 [.020±.001].
- 3 WIRE SIZE IS #24-#19 MAGNET WIRE.
- 4 INSULATION RANGE IS 1.27-2.03 [.050-.080] DIA.

VIEW Y-Y
SCALE 8:1



0.002032 [.000080] MIN TIN	63623-2
-	63623-1
FINISH	PART NO

TYPE	WIDTH	TYPE	WIDTH	HEIGHT	WIRE
F	2.79 [.110]	F	2.29 [.090]	±.002	
INSUL BARREL CRIMP		WIRE BARREL CRIMP			

DO NOT SCALE PRINT. UNLESS SPECIFIED DIMENSIONS ARE IN MM [INCHES] TOLERANCES ON: 2 PLC DEC ± - 3 PLC DEC ± 0.25 [.010] ANGLES ± -	DR 8/23/91 JR RUTH CHK 8/23/91 MS FEHER APPD 8/23/91 C MEYERS APPD 8/23/91 R KUZO
MATERIAL H04 BRASS	PRODUCT SPEC -
FINISH SEE TABLE	APPLICATION SPEC -
	WEIGHT -

AMP INCORPORATED Harrisburg, Pa. 17105		NAME	
		RECEPTACLE, FASTON,™ L.I.F., AMPLIVAR, 6.35 [.250] SERIES	
SIZE	FSCM NO	DRAWING NO	
B	00779	63623	
SCALE	6:1	SHEET	1 OF 1