



Chipsmall Limited consists of a professional team with an average of over 10 year of expertise in the distribution of electronic components. Based in Hongkong, we have already established firm and mutual-benefit business relationships with customers from,Europe,America and south Asia,supplying obsolete and hard-to-find components to meet their specific needs.

With the principle of “Quality Parts,Customers Priority,Honest Operation,and Considerate Service”,our business mainly focus on the distribution of electronic components. Line cards we deal with include Microchip,ALPS,ROHM,Xilinx,Pulse,ON,Everlight and Freescale. Main products comprise IC,Modules,Potentiometer,IC Socket,Relay,Connector.Our parts cover such applications as commercial,industrial, and automotives areas.

We are looking forward to setting up business relationship with you and hope to provide you with the best service and solution. Let us make a better world for our industry!



## Contact us

Tel: +86-755-8981 8866 Fax: +86-755-8427 6832

Email & Skype: info@chipsmall.com Web: www.chipsmall.com

Address: A1208, Overseas Decoration Building, #122 Zhenhua RD., Futian, Shenzhen, China



THIS DRAWING IS UNPUBLISHED.

RELEASED FOR PUBLICATION

© COPYRIGHT - By -

ALL RIGHTS RESERVED.

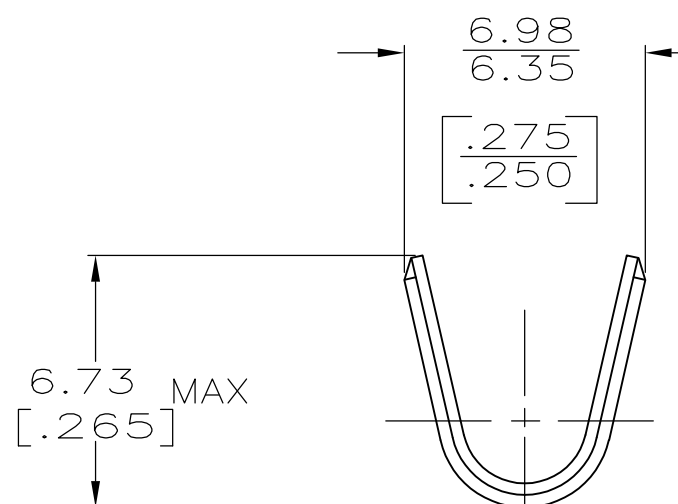
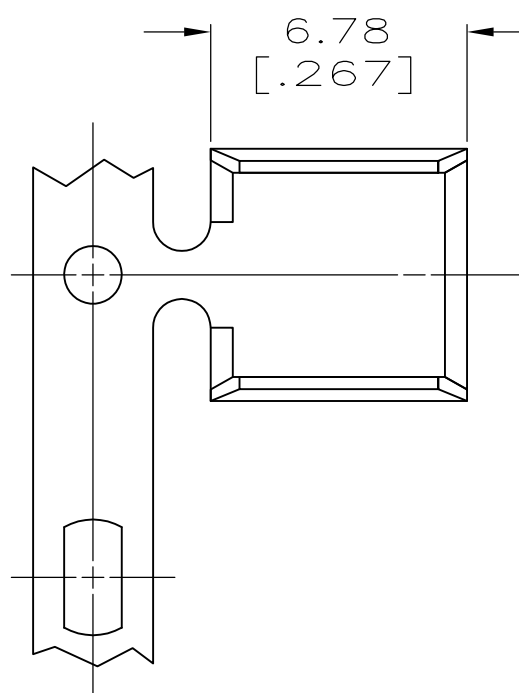
LOC  
AF

DIST  
50

REVISIONS


P	LTR	DESCRIPTION	DATE	DWN	APVD
	E2	REVISED PER ECR-11-025270	20DEC11	KH	GJ

- 1 PRODUCT PROVIDED IN STRIP FORM ON REELS;  
BREAKS MAY BE PRESENT
- 2 REF CRIMPING INFO:  
4.57 [.180] CRIMP WIDTH AT CRIMP HEIGHT = ( CMA+23,100 ) /285,700  
5.58 [.220] CRIMP WIDTH AT CRIMP HEIGHT = ( CMA+24,500 ) /330,000
- 3 REF SIMILAR SLICE P/N 1217967-X WITH SERRATIONS
- 4 LUBRICATION MAY BE REQUIRED TO FACILITATE CRIMPING. A PRODUCT LUBRICANT APPLICATOR IS AVAILABLE FOR TE CONNECTIVITY TERMINATION EQUIPMENT.



0.635±0.025  
[.025±.001]

TIN	2.5-8.1mm <sup>2</sup>	63625-2
-	5,000-16,000 CMA	63625-1
FINISH	WIRE RANGE $\triangle 4$	PART NO

THIS DRAWING IS A CONTROLLED DOCUMENT.		DWN P FORTNEY 10/3/91	 TE Connectivity NAME SPLICE											
DIMENSIONS: INCHES		CHK MS FEHER 10/4/91												
TOLERANCES UNLESS OTHERWISE SPECIFIED:		APVD R WEAVILL 10/4/91												
<table border="0"> <tr><td>0 PLC</td><td>± -</td></tr> <tr><td>1 PLC</td><td>± -</td></tr> <tr><td>2 PLC</td><td>± 0.25 [.010]</td></tr> <tr><td>3 PLC</td><td>± -</td></tr> <tr><td>4 PLC</td><td>± -</td></tr> <tr><td>ANGLES</td><td>± -</td></tr> </table>		0 PLC				± -	1 PLC	± -	2 PLC	± 0.25 [.010]	3 PLC	± -	4 PLC	± -
0 PLC	± -													
1 PLC	± -													
2 PLC	± 0.25 [.010]													
3 PLC	± -													
4 PLC	± -													
ANGLES	± -													
MATERIAL BRASS	FINISH SEE TABLE	APPLICATION SPEC 114-2088	SIZE A3	CAGE CODE 00779	DRAWING NO C-63625	RESTRICTED TO -								
CUSTOMER DRAWING			SCALE 5:1	SHEET 1 OF 1	REV E2									