



Chipsmall Limited consists of a professional team with an average of over 10 year of expertise in the distribution of electronic components. Based in Hongkong, we have already established firm and mutual-benefit business relationships with customers from,Europe,America and south Asia,supplying obsolete and hard-to-find components to meet their specific needs.

With the principle of "Quality Parts,Customers Priority,Honest Operation,and Considerate Service",our business mainly focus on the distribution of electronic components. Line cards we deal with include Microchip,ALPS,ROHM,Xilinx,Pulse,ON,Everlight and Freescale. Main products comprise IC,Modules,Potentiometer,IC Socket,Relay,Connector.Our parts cover such applications as commercial,industrial, and automotives areas.

We are looking forward to setting up business relationship with you and hope to provide you with the best service and solution. Let us make a better world for our industry!



Contact us

Tel: +86-755-8981 8866 Fax: +86-755-8427 6832

Email & Skype: info@chipsmall.com Web: www.chipsmall.com

Address: A1208, Overseas Decoration Building, #122 Zhenhua RD., Futian, Shenzhen, China

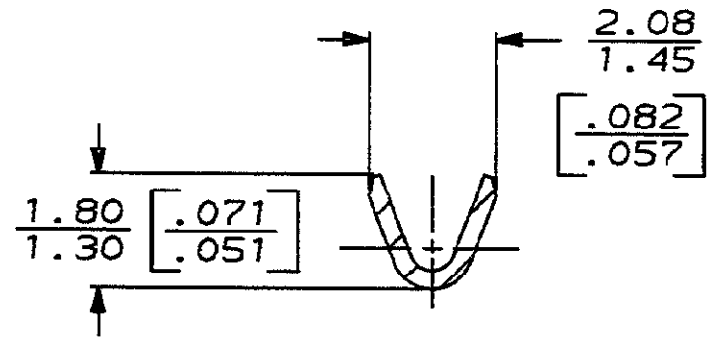
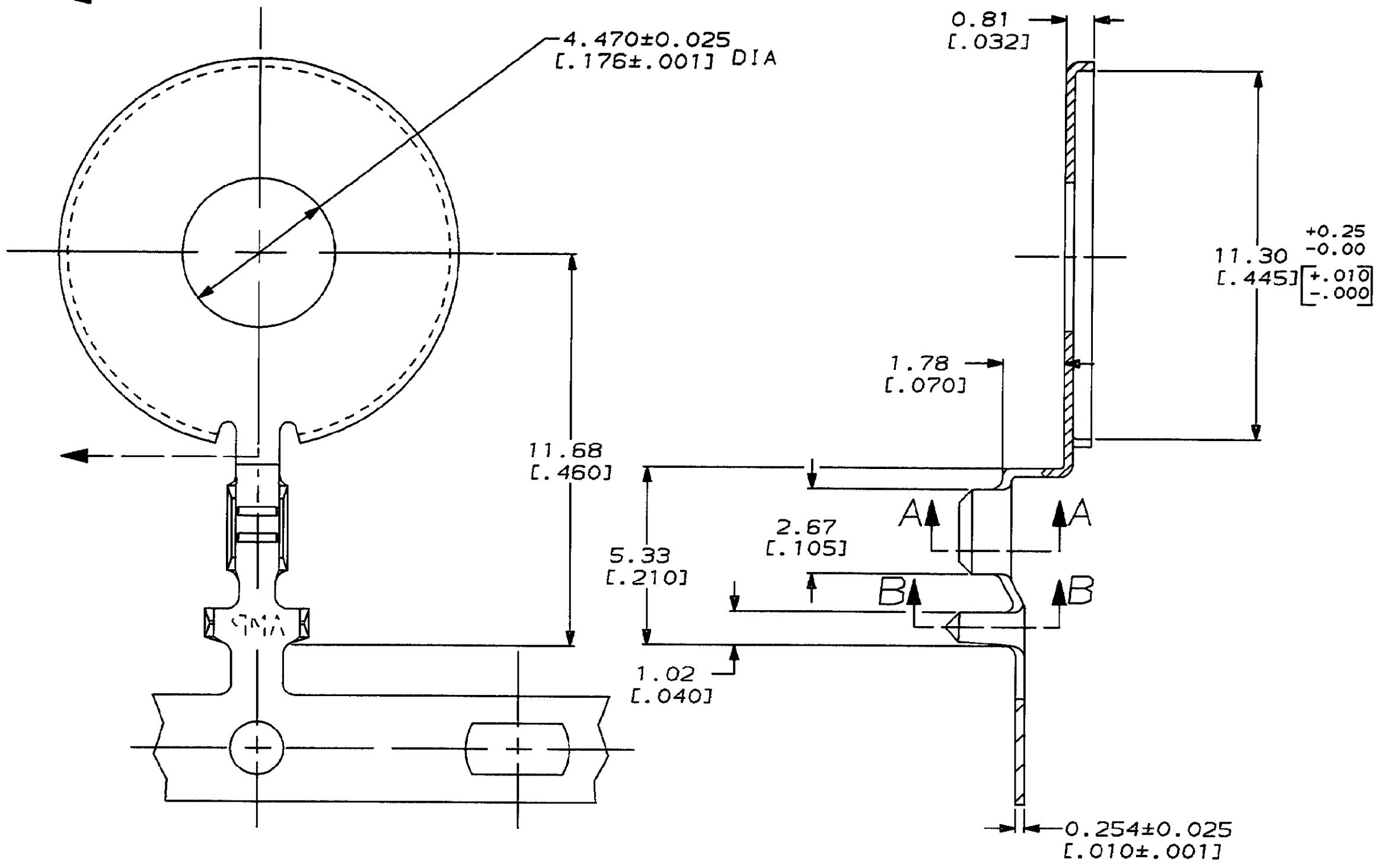


DRAWING MADE IN THIRD ANGLE PROJECTION

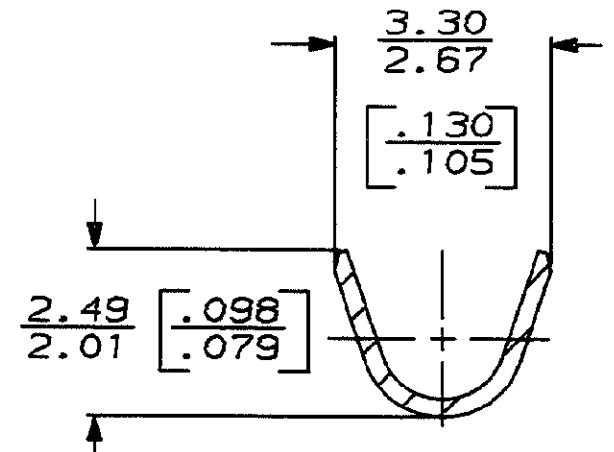
THIS DRAWING IS UNPUBLISHED. RELEASED FOR PUBLICATION
 © COPYRIGHT 19 BY AMP INCORPORATED. ALL INTERNATIONAL RIGHTS RESERVED.

LOC		DIST		REVISIONS				DATE	APPD
AF	50	P	F	ZONE	LTR	DESCRIPTION			
				C		RELEASE PER FASR & AF-8118	9/2/92	PF/DS	

1 CONTINUOUS STRIP ON REEL.



SECTION A-A
 SCALE 10:1
 ROTATED 90° CW



SECTION B-B
 SCALE 10:1
 ROTATED 90° CW

	1.27-1.65 DIA [.050-.065]	0.13-0.3mm ² [26-22] AWG	63626-1
	INSULATION RANGE	WIRE RANGE	PART NO
DO NOT SCALE PRINT. UNLESS SPECIFIED DIMENSIONS IN mm [INCHES] TOLERANCES ON: 2 PLC DEC ± 0.25 [.010] 3 PLC DEC ± - ANGLES ± -	DR 1/17/92 P FORTNEY CHK 1/17/92 MS FEHER APPD 1/17/92 D SCHWENK	AMP Incorporated Harrisburg, PA 17105-3608	
MATERIAL 082 BRASS	APPD 1/17/92 R MEAVILL PRODUCT SPEC -		
FINISH 0.002032 [.000080] MIN PRE-TIN PL PER MIL-T-10727	APPLICATION SPEC -	SIZE C	CAGE CODE 00779
	WEIGHT -	DRAWING NO 63626	SCALE 5:1
		SHEET 1 OF 1	

METRIC